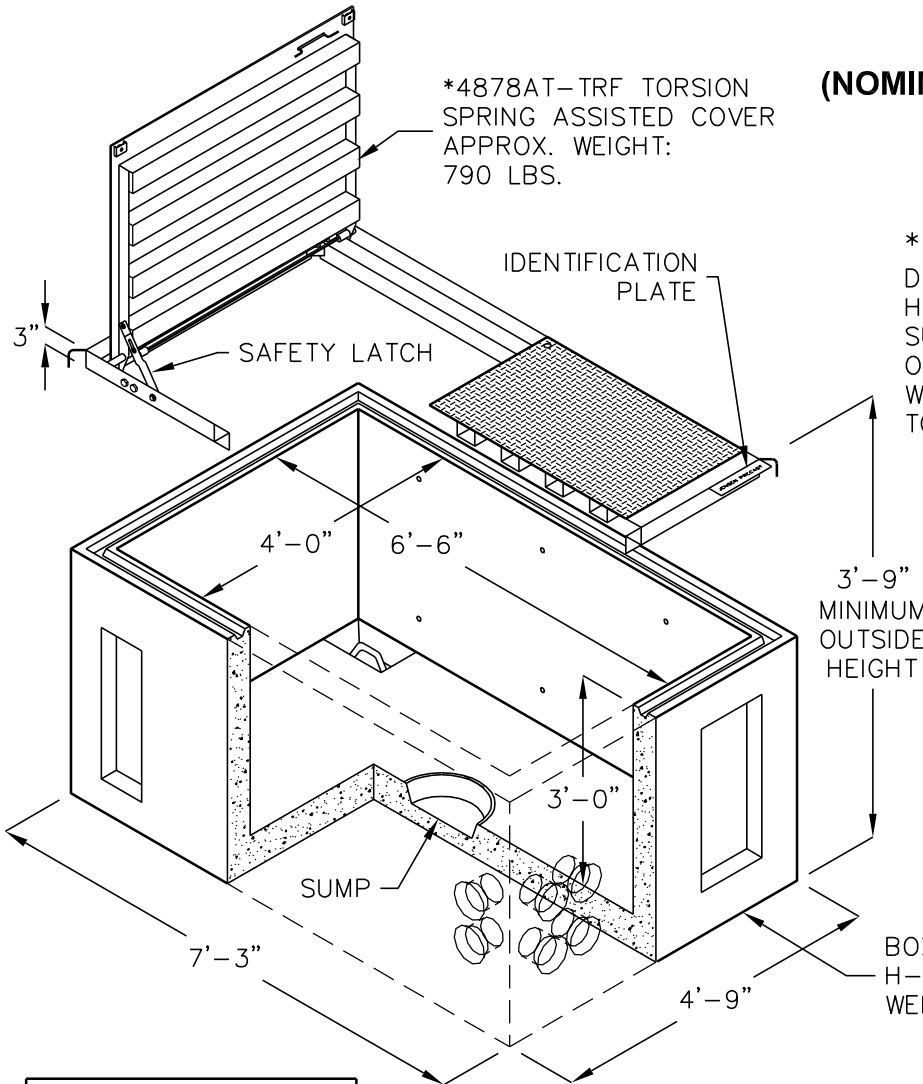


466TA PULLBOX

4'-0" x 6'-6" x 3'-0"
(NOMINAL INSIDE DIMENSIONS)

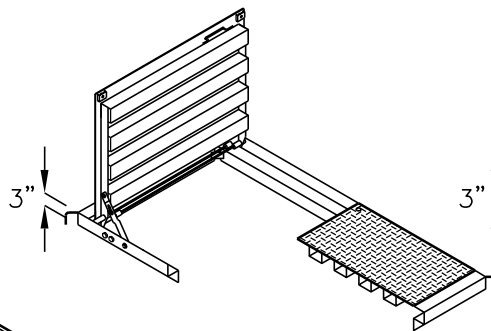
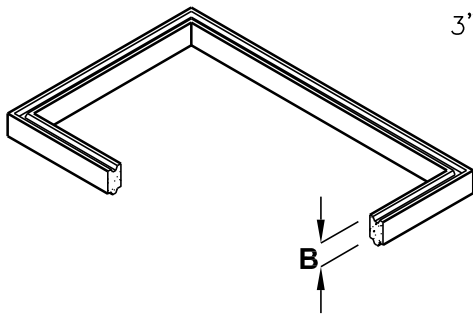
*4878AT-TRF TORSION
 SPRING ASSISTED COVER
 APPROX. WEIGHT:
 790 LBS.

*NOTE:
 DESIGNED TO WITHSTAND
 H-20 WHEEL LOADINGS.
 SUITABLE FOR USE IN
 OFF-STREET LOCATIONS
 WHERE NOT SUBJECTED
 TO HIGH DENSITY TRAFFIC.



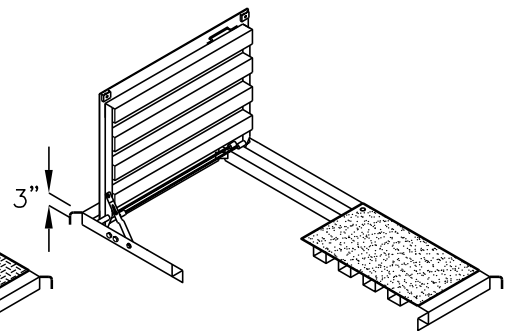
BOX DESIGN LOAD:
 H-20 TRAFFIC
 WEIGHT: 6380 LBS.

OPTIONAL RISERS (EXTENSIONS)		
MODEL NO.	B	WEIGHT
466-R6	6"	650 LBS.
466-R12	12"	1190 LBS.



**ADJUSTABLE TORSION SPRING
 ASSISTED COVERS
 (DIAMOND PLATE SURFACE)**

*4878AT-TRF, 790 LBS.
 (H-20 TRAFFIC)
 OR
 4878AT-PKY, 640 LBS.
 (NON-TRAFFIC)



**ADJUSTABLE TORSION SPRING
 ASSISTED COVERS
 (NON-SLIP SURFACE)**

* 4878AT-TRF-AG, 650 LBS.
 (H-20 TRAFFIC)
 OR
 4878AT-PKY-AG, 630 LBS.
 (NON-TRAFFIC)

FOR COMPLETE DESIGN AND PRODUCT INFORMATION,
 CONTACT JENSEN PRECAST.