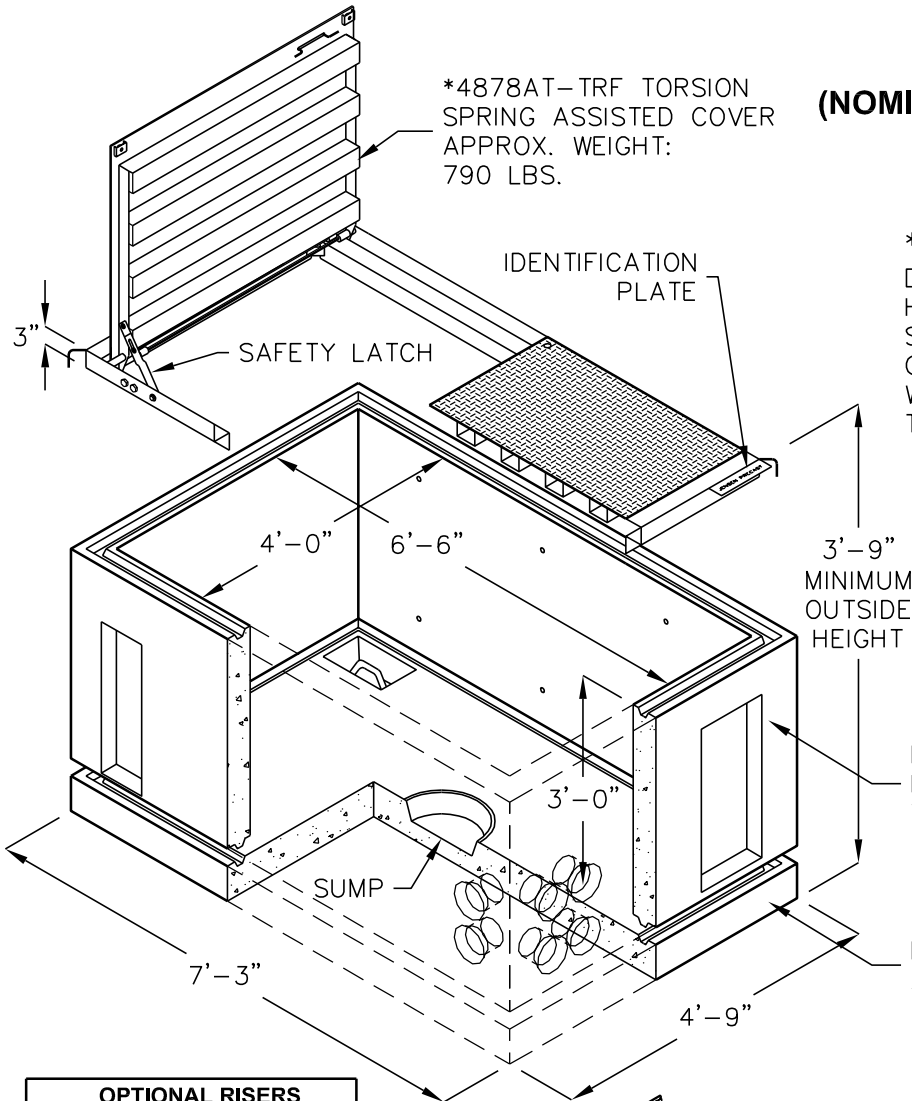


466TA-I INTERCEPT PULLBOX

4'-0" x 6'-6" x 3'-0"
(NOMINAL INSIDE DIMENSIONS)

*4878AT-TRF TORSION
SPRING ASSISTED COVER
APPROX. WEIGHT:
790 LBS.

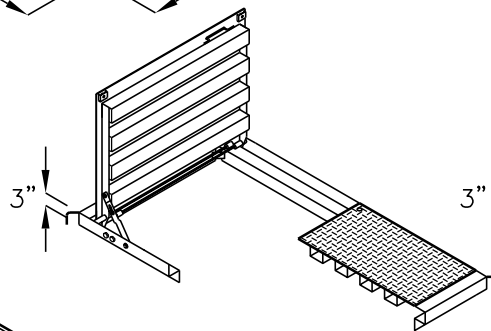
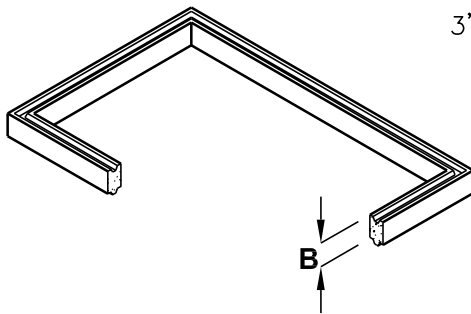
*NOTE:
DESIGNED TO WITHSTAND
H-20 WHEEL LOADINGS.
SUITABLE FOR USE IN
OFF-STREET LOCATIONS
WHERE NOT SUBJECTED
TO HIGH DENSITY TRAFFIC.



BOX DESIGN LOAD:
H-20 TRAFFIC
WEIGHT: 3050 LBS.

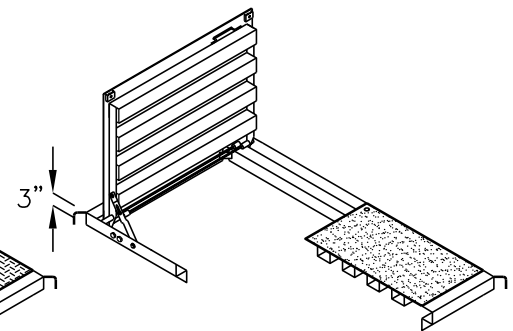
BASE WEIGHT:
2400 LBS.

OPTIONAL RISERS (EXTENSIONS)		
MODEL NO.	B	WEIGHT
466-R6	6"	650 LBS.
466-R12	12"	1190 LBS.



**ADJUSTABLE TORSION SPRING
ASSISTED COVERS
(DIAMOND PLATE SURFACE)**

*4878AT-TRF, 790 LBS.
(H-20 TRAFFIC)
OR
4878AT-PKY, 640 LBS.
(NON-TRAFFIC)



**ADJUSTABLE TORSION SPRING
ASSISTED COVERS
(NON-SLIP SURFACE)**

*4878AT-TRF-AG, 650 LBS.
(H-20 TRAFFIC)
OR
4878AT-PKY-AG, 630 LBS.
(NON-TRAFFIC)

FOR COMPLETE DESIGN AND PRODUCT INFORMATION,
CONTACT JENSEN PRECAST.