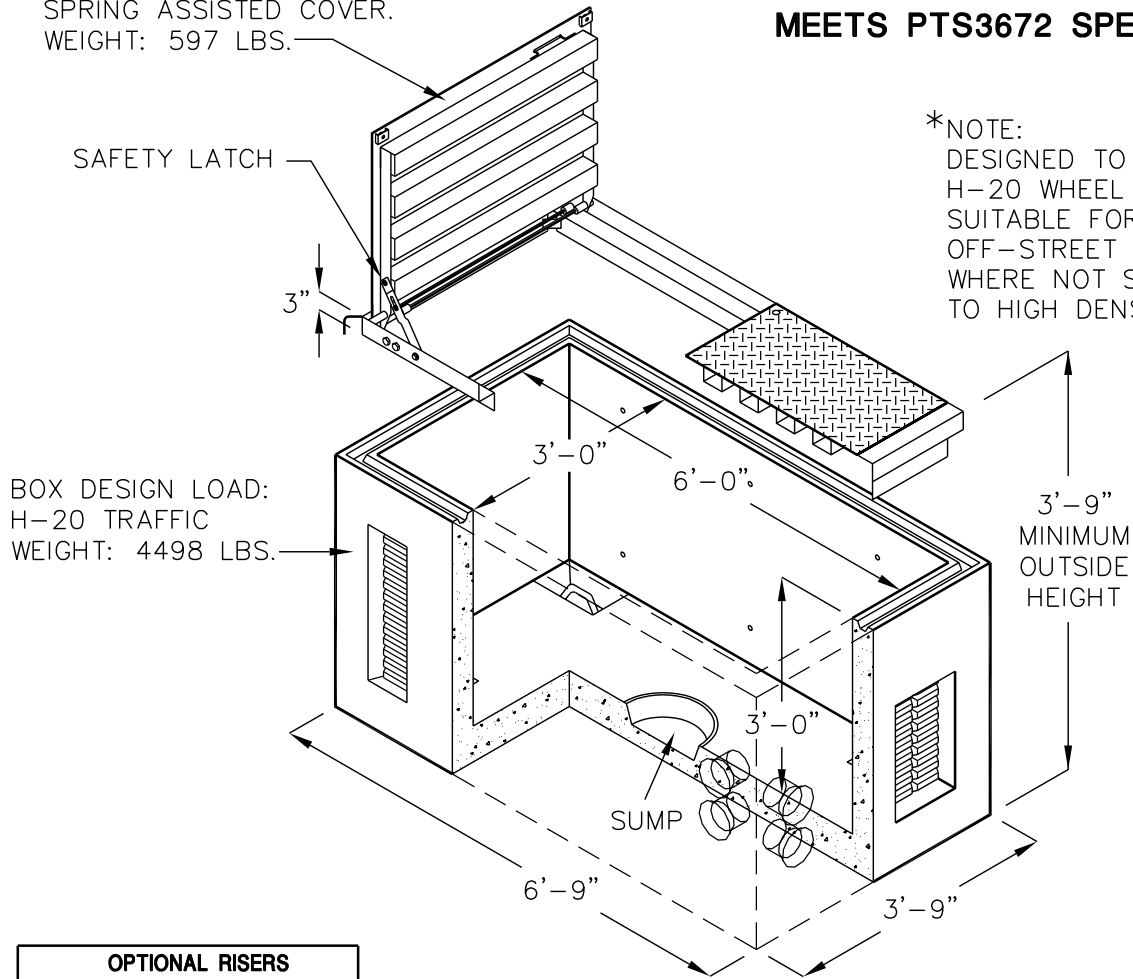


36TA PULLBOX

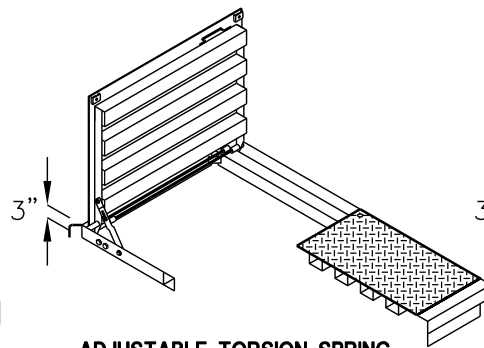
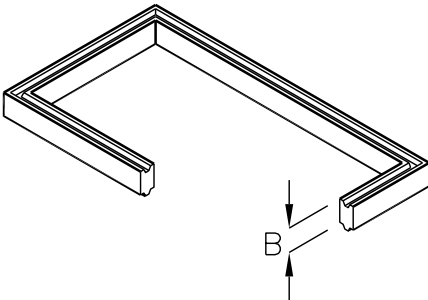
3'-0" WD. x 6'-0" LG. x 3'-0" H. I.D.
MEETS PTS3672 SPECIFICATIONS

*3672AT-TRF TORSION
SPRING ASSISTED COVER.
WEIGHT: 597 LBS.

*NOTE:
DESIGNED TO WITHSTAND
H-20 WHEEL LOADINGS.
SUITABLE FOR USE IN
OFF-STREET LOCATIONS
WHERE NOT SUBJECTED
TO HIGH DENSITY TRAFFIC.

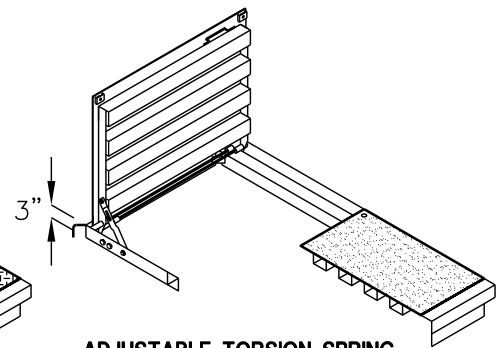


| OPTIONAL RISERS (EXTENSIONS) | | |
|---------------------------------|-----|-----------|
| MODEL NO. | B | WEIGHT |
| 36-R6 | 6" | 526 LBS. |
| 36-R12 | 12" | 1050 LBS. |



**ADJUSTABLE TORSION SPRING
ASSISTED COVERS
(DIAMOND PLATE SURFACE)**

*3672AT-TRF, 597 LBS.
(H-20 TRAFFIC)
OR
3672AT-PKY, 490 LBS.
(NON TRAFFIC)



**ADJUSTABLE TORSION SPRING
ASSISTED COVERS
(NON-SLIP SURFACE)**

*3672AT-TRF-AG, 588 LBS.
(H-20 TRAFFIC)
OR
3672AT-PKY-AG, 481 LBS.
(NON TRAFFIC)

FOR COMPLETE DESIGN
AND PRODUCT INFORMATION,
CONTACT JENSEN PRECAST.