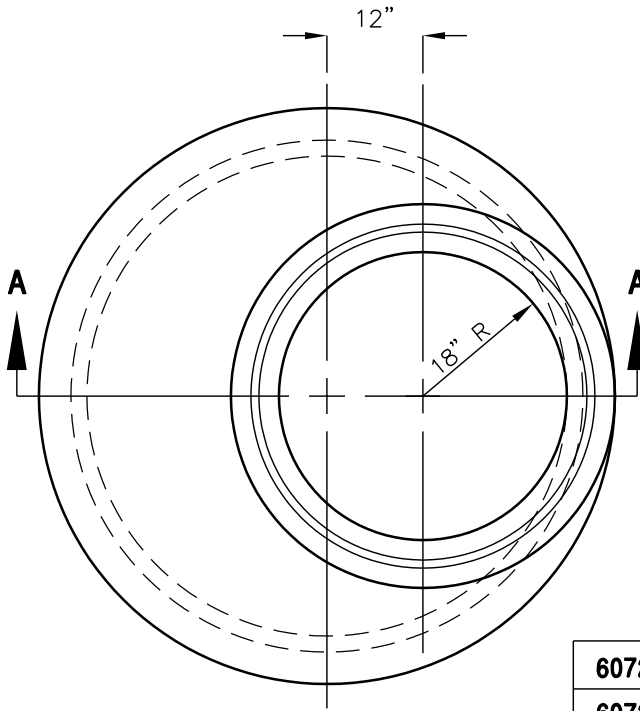
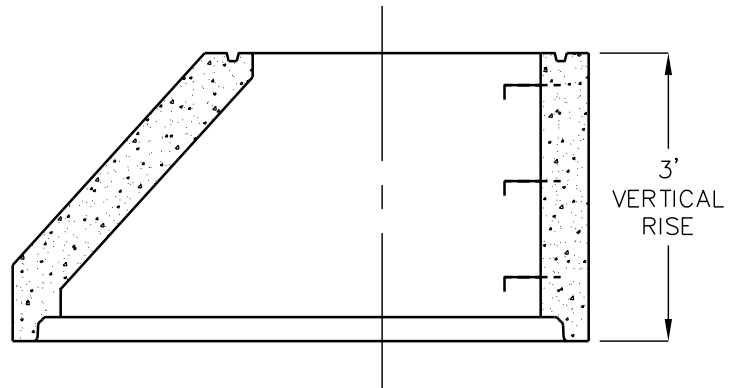


60" I.D. x 6" WALL 36" ECCENTRIC CONE



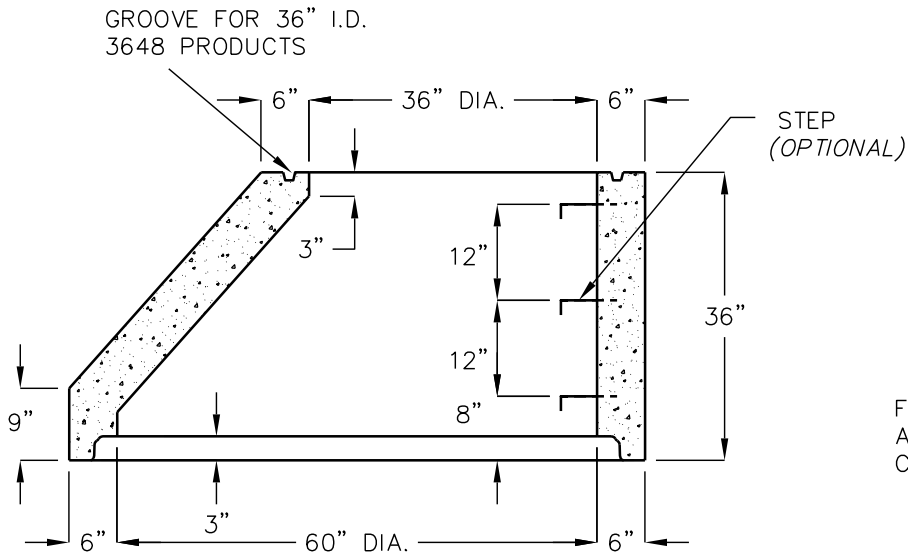
**PLAN VIEW
4860 CONE**



SECTION A-A

	APPROX. WT.
6072EC36-36 ECC CONE	3700 LBS.
6072EC36-36S ECC CONE W/STEP HOLES	3700 LBS.

CONFORMS TO ASTM SPECS C-478
and AASHTO No. M199-93.



SIDE VIEW

FOR COMPLETE DESIGN,
AND PRODUCT INFORMATION,
CONTACT JENSEN PRECAST.