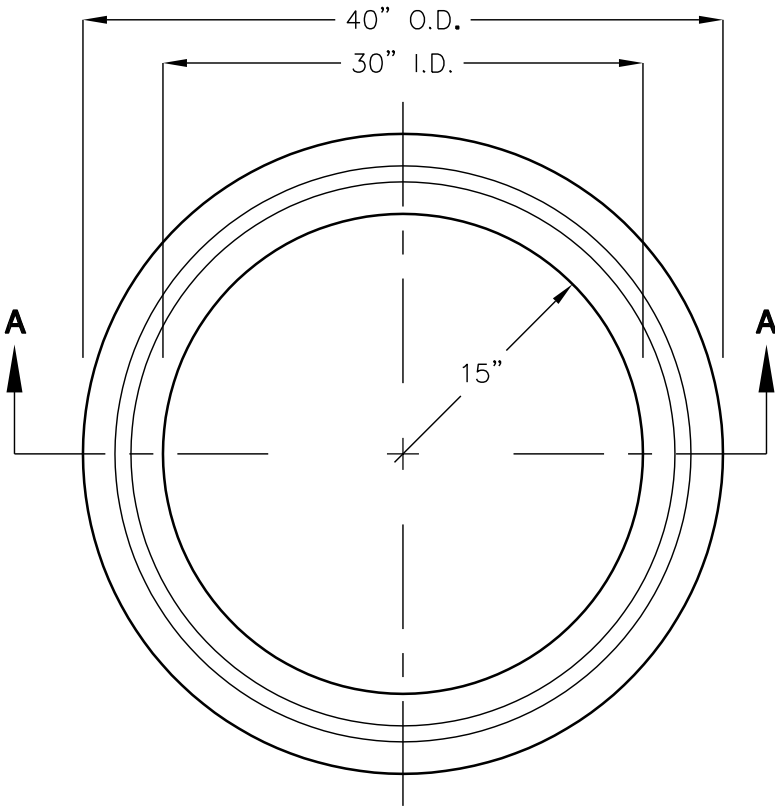
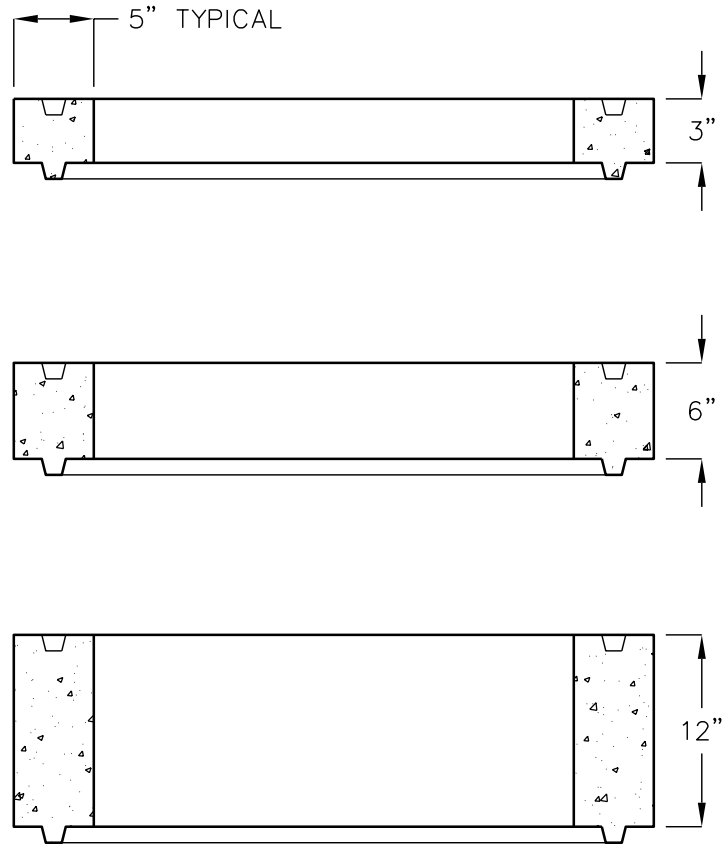


GRADE RINGS/RISERS

MODEL 3040
30" I.D., 5" WALL



TOP VIEW



SECTION A-A

DESCRIPTION	APPROX. WEIGHT
3040 GR-03 GRADE RING	137 LBS.
3040 GR-06 GRADE RING	294 LBS.
3040 GR-12 GRADE RING	599 LBS.

CONFORMS TO CURRENT SPECIFICATIONS:
ASTM C-478 AND AASHTO M-199

FOR COMPLETE DESIGN
AND PRODUCT INFORMATION,
CONTACT JENSEN PRECAST.