

MEETS REQUIREMENTS FOR:
**SACRAMENTO COUNTY
 PUBLIC WORKS AGENCY**
TYPE F DROP INLET

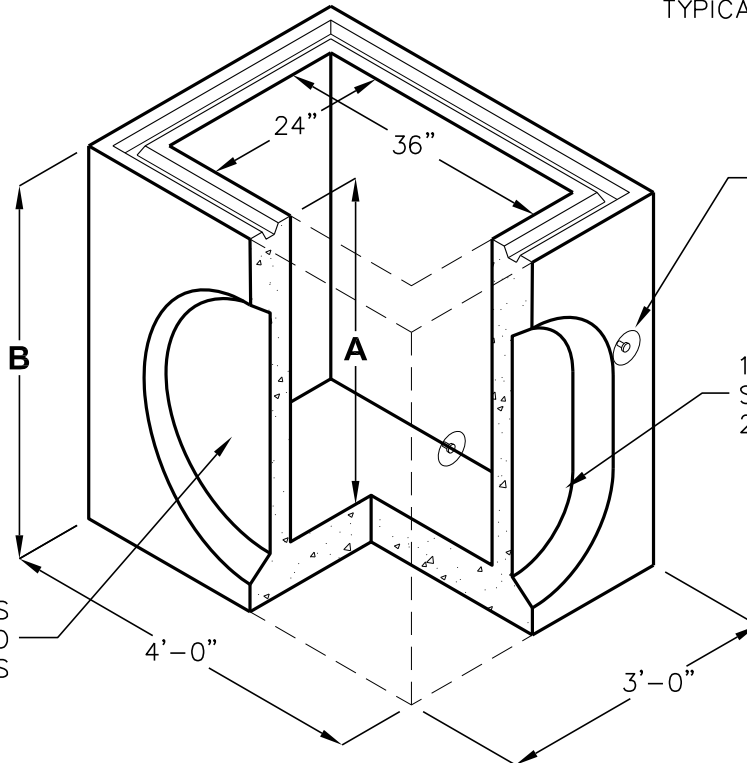
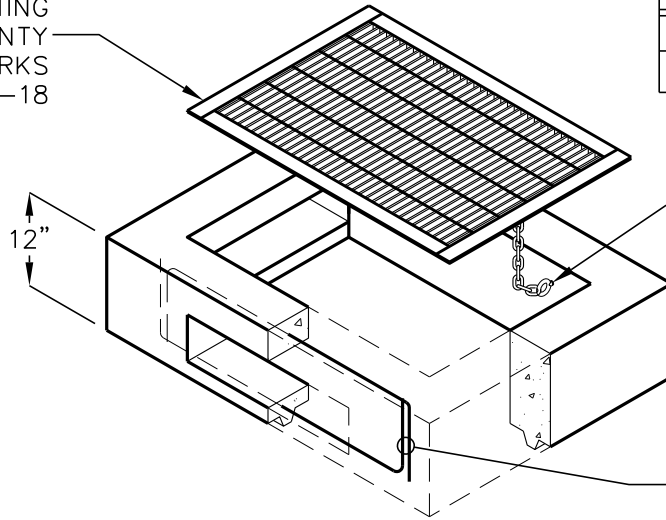
2436-F

24" X 36" DROP INLET SACRAMENTO COUNTY TYPE F

27" x 39"
 GALVANIZED BAR GRATING
 PER SACRAMENTO COUNTY
 DEPARTMENT OF PUBLIC WORKS
 DRAWING 9-18

DROP INLET			
MODEL NO.	A	B	* WEIGHT
DI2436-36F	36"	42"	3028 LBS.
DI2436-48F	48"	54"	3889 LBS.

* BOX ONLY



31" DIA. KNOCKOUTS
 SLEDGE OUT AS REQUIRED
 2 PLACES

FOR COMPLETE DESIGN AND PRODUCT INFORMATION
 CONTACT JENSEN PRECAST.

Jensen Precast reserves the right to make changes to product design
 and/or dimensions without notice. Please contact Jensen Precast whenever
 necessary for confirmation or advice on product design.

