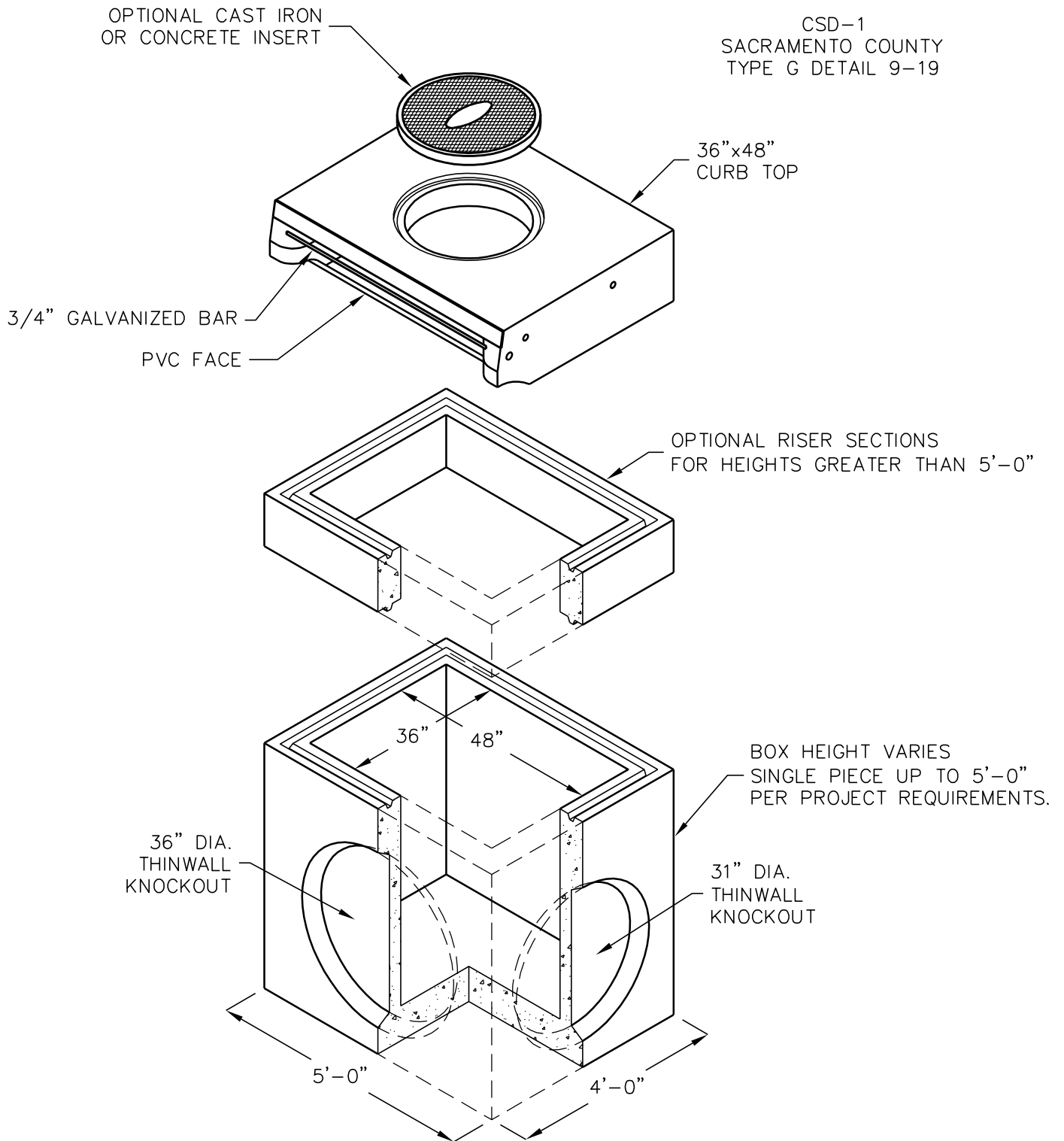


# CURB INLET

## SACRAMENTO COUNTY TYPE G

CSD-1  
SACRAMENTO COUNTY  
TYPE G DETAIL 9-19



BOX DESIGN LOAD: H-20 TRAFFIC.

FOR COMPLETE DESIGN AND PRODUCT INFORMATION  
CONTACT JENSEN PRECAST.