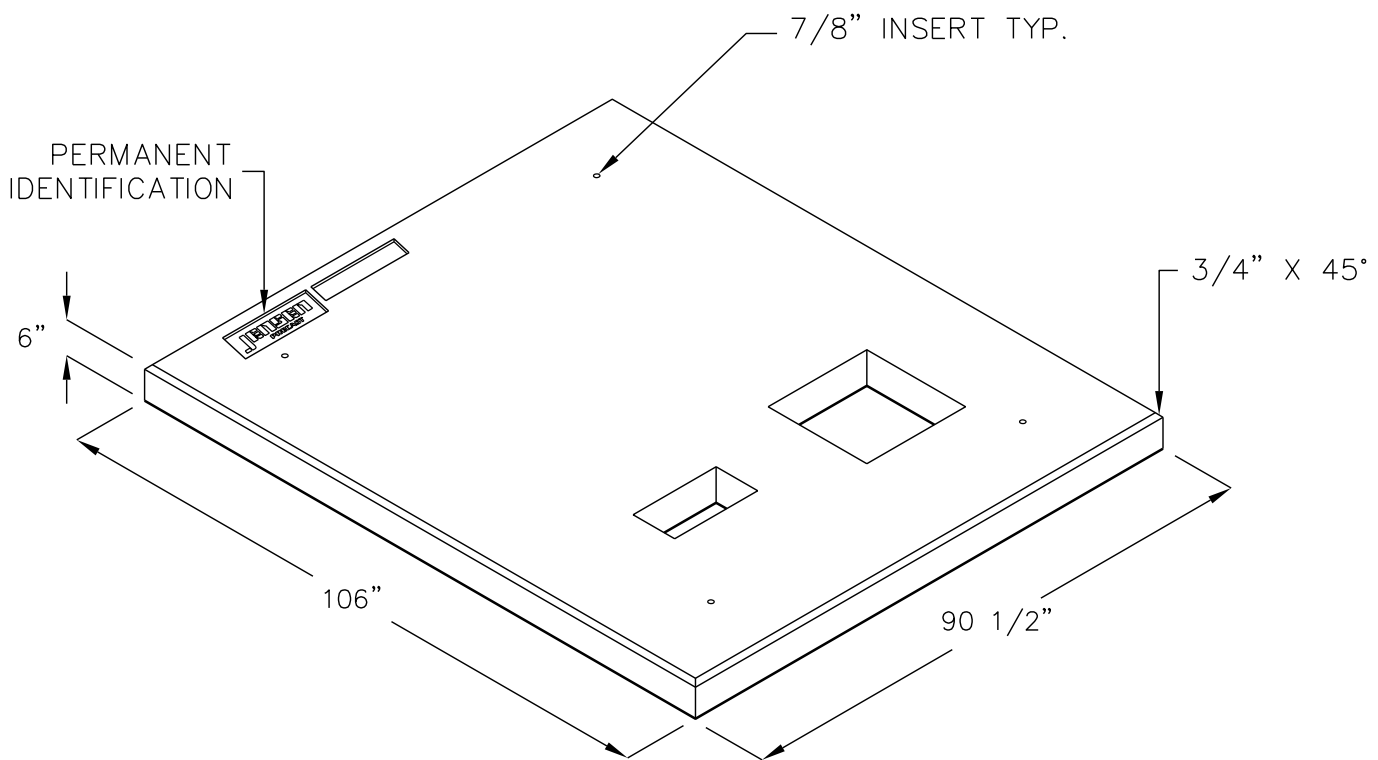


TRANSFORMER PAD

90 x 106

90" WD. x 106" LG. x 6" H.

PG&E #04-0292



APROXIMATE WEIGHT 4346 LBS.

PRECAST PADS SHALL BE PERMANENTLY IDENTIFIED WITH MANUFACTURER'S NAME AND HAVE THE WEIGHT STENCILLED ON TOP OF THE PAD

FOR COMPLETE DESIGN AND PRODUCT INFORMATION CONTACT JENSEN PRECAST.