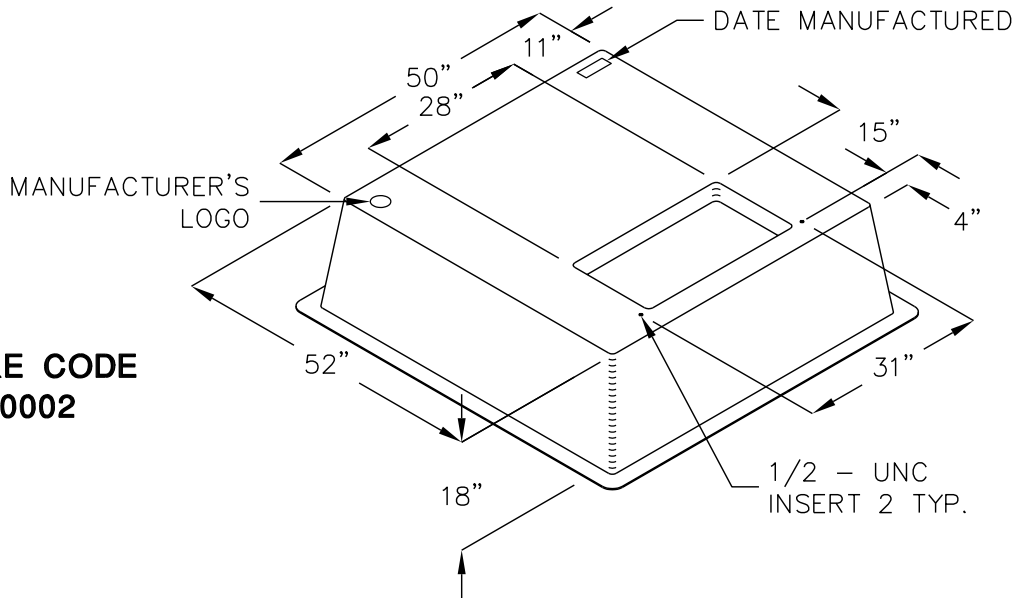


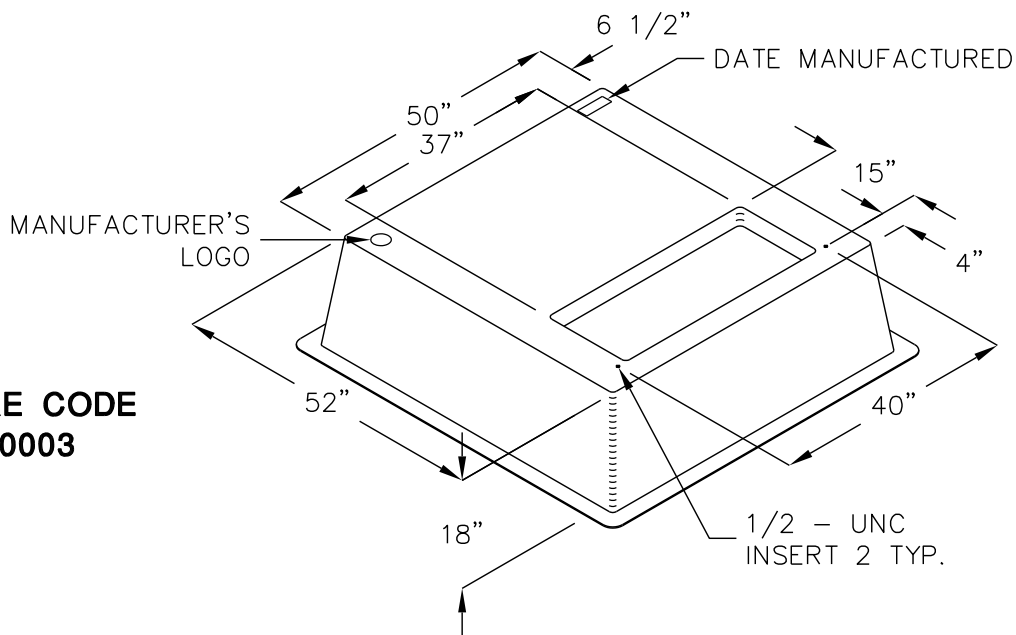
# PADS

## SINGLE AND DUPLEX DEAD-FRONT PAD MOUNTED TRANSFORMER

**PG&E** 50" x 52" x 18"



**PG&E CODE  
M360002**



**PG&E CODE  
M360003**