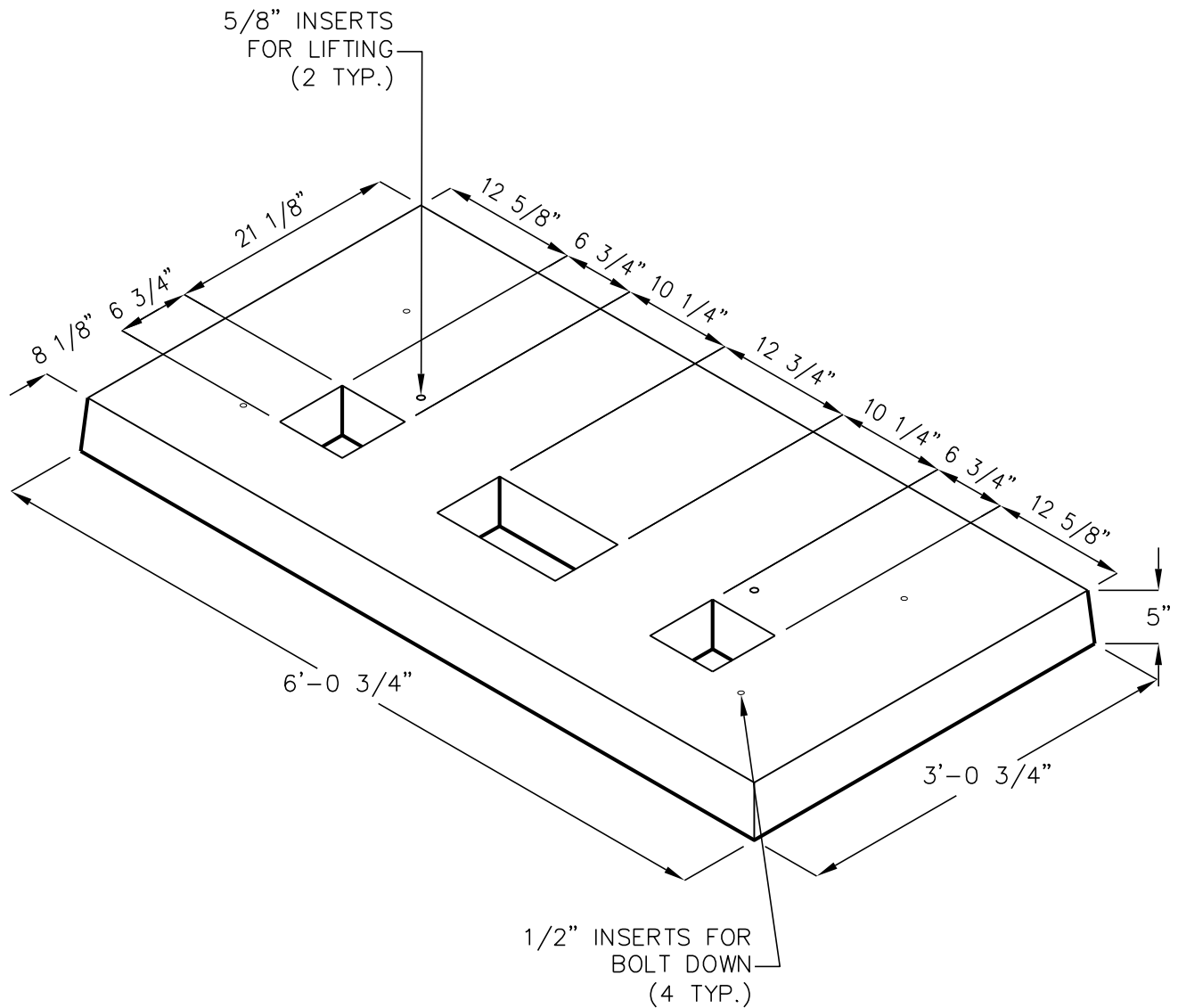


# JUNCTION PAD

## 36 x 72

36" WD. x 72" LG. x 5" H.  
PRECAST POLYMER CONCRETE FOR  
PADMOUNT JUNCTIONS

**PC&E** #36-0038



FOR COMPLETE DESIGN  
AND PRODUCT INFORMATION  
CONTACT JENSEN PRECAST.