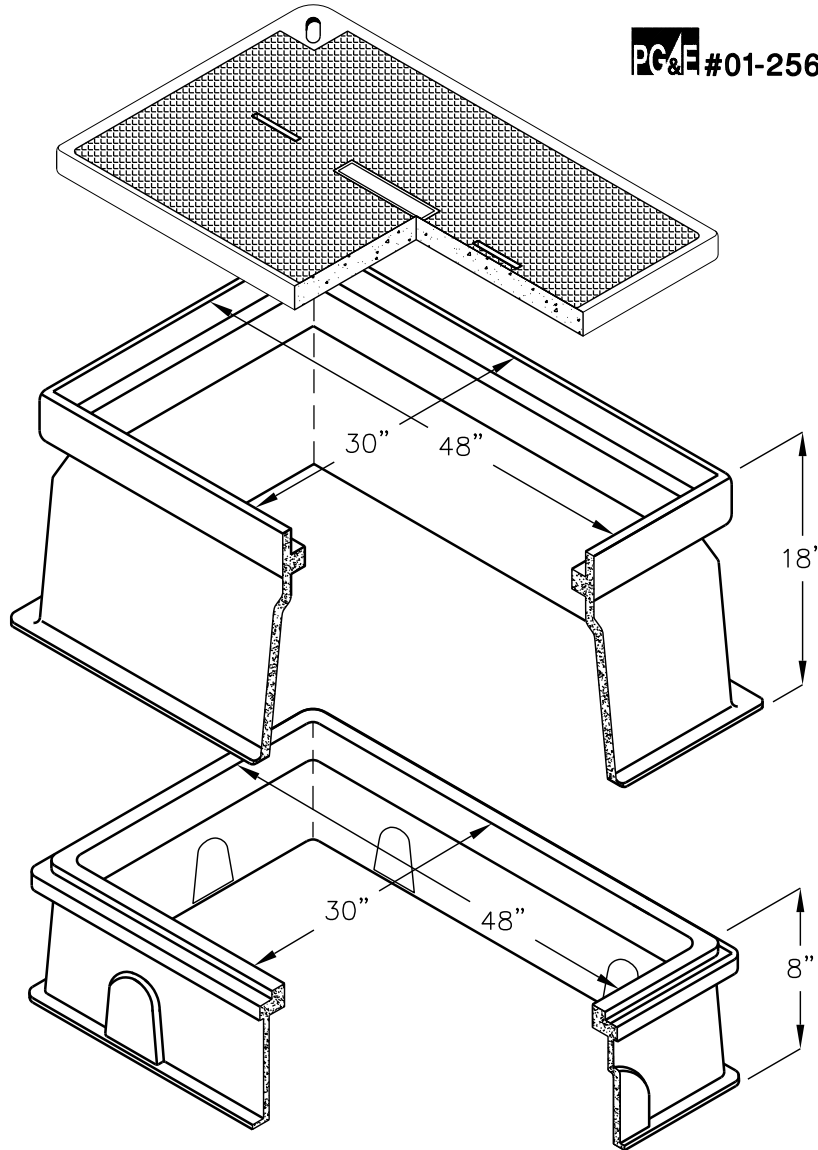


PG&E APPROVED. POLYMER CONCRETE FRAME AND NON-SKID COVER FOR STRENGTH. "FRP" FIBERGLASS REINFORCED BODY FOR LIGHT WEIGHT. FLARED AT BASE TO PROVIDE ADDITIONAL WORK SPACE. MEETS ALL REQUIREMENTS OF W.U.C. 3.6 10K "PARKWAY" LOAD RATED.

# 30X48 HANDHOLE NON-CONCRETE

30" x 48" x 26 "  
(INSIDE DIMENSIONS)

**PG&E** #01-2563



NOMINAL DIMENSIONS	PG&E CODE NO.	DESCRIPTION	APPROX. WT. (LBS.)
30"X48"X18"	01-2562	BOX & COVER ASSEMBLY	219
30"X48"X26"	01-2563	BOX, COVER & 8" EXT.	276
30"X48"X8"	04-3558	8" EXTENSION	57
30"X48"X16"	04-3727	16" EXTENSIONS	75