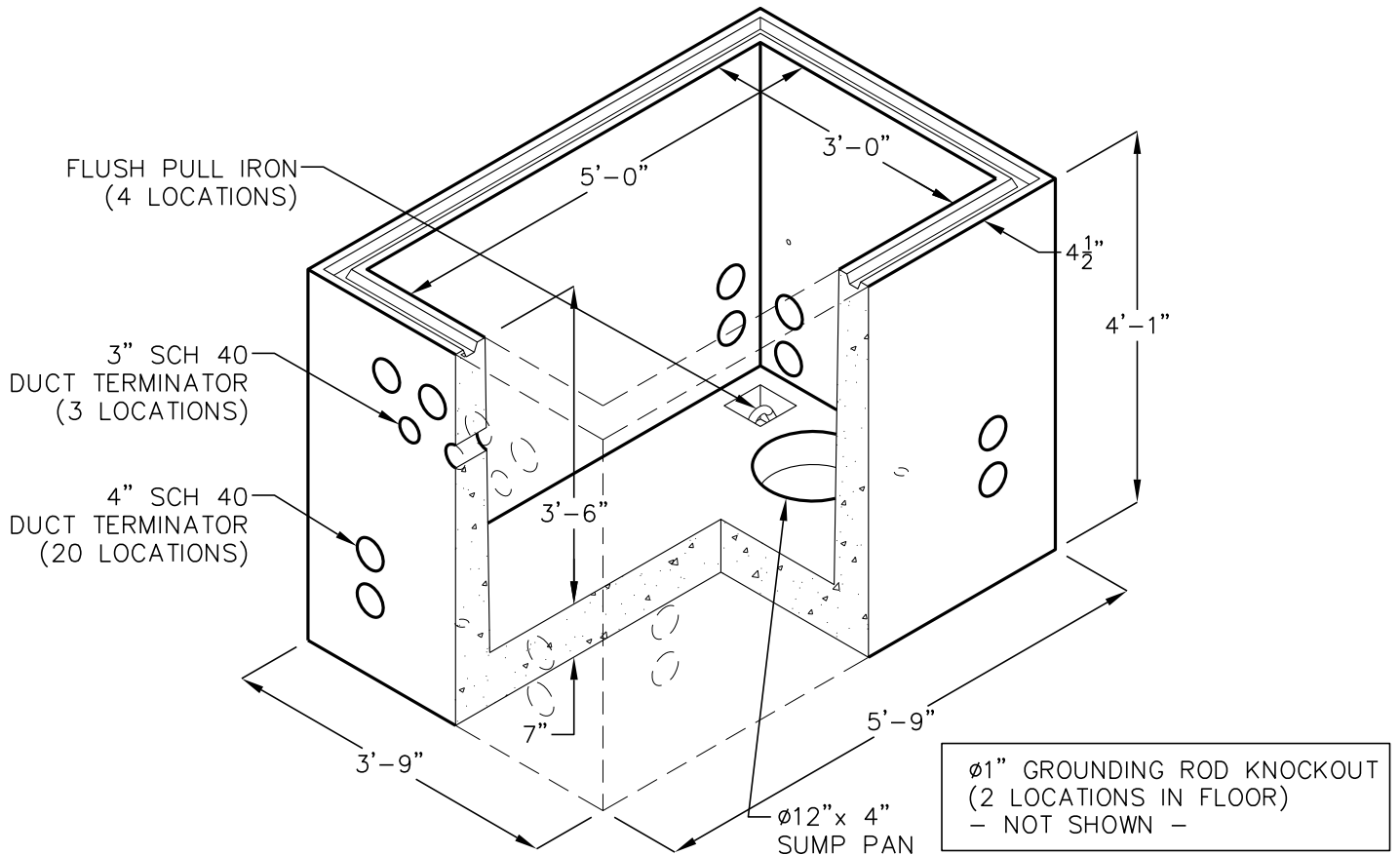




3'-0"x5'-0"x3'-6" PRIMARY ENCLOSURE BASE SECTION

PG&E CODE: 043361



PG&E CODE	DESCRIPTION	WEIGHT (LBS)
043361	ENCLOSURE, 3'x5'x3'-6" PG&E	5,354



Jensen Precast reserves the right to make changes to product design and/or dimensions without notice. Please contact Jensen Precast whenever necessary for confirmation or advice on product design.