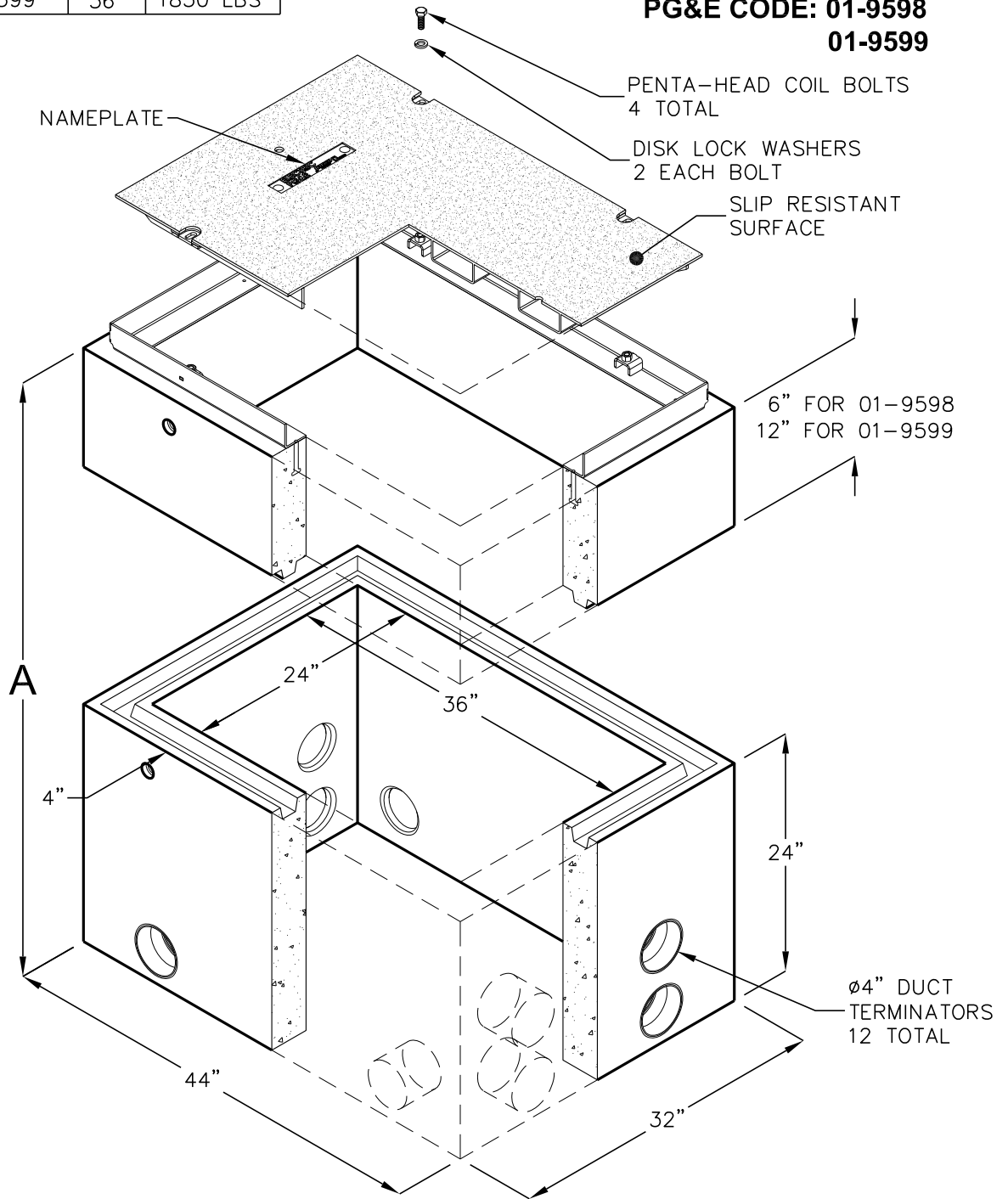




COMPLETE ASSEMBLY		
PG&E CODE	A	APPROX. WEIGHT
01-9598	30"	1540 LBS
01-9599	36"	1830 LBS

2'-0"x3'-0" FULL TRAFFIC CONCRETE BOXES

PG&E CODE: 01-9598
01-9599



MATERIAL LIST		
PG&E CODE	DESCRIPTION	WEIGHT (LBS)
043518	ENCLOSURE, 2'x3'x2'-0" PG&E	1060
043519	RISER 2'x3'x6" PG&E	480
043524	RISER 2'x3'x12" PG&E	770

C Jensen Precast reserves the right to make changes to product design and/or dimensions without notice. Please contact Jensen Precast whenever necessary for confirmation or advice on product design.