

PG&E APPROVED. POLYMER CONCRETE FRAME AND NON-SKID COVER FOR STRENGTH. "FRP" FIBERGLASS REINFORCED BODY FOR LIGHT WEIGHT. FLARED AT BASE TO PROVIDE ADDITIONAL WORK SPACE. MEETS ALL REQUIREMENTS OF W.U.C..

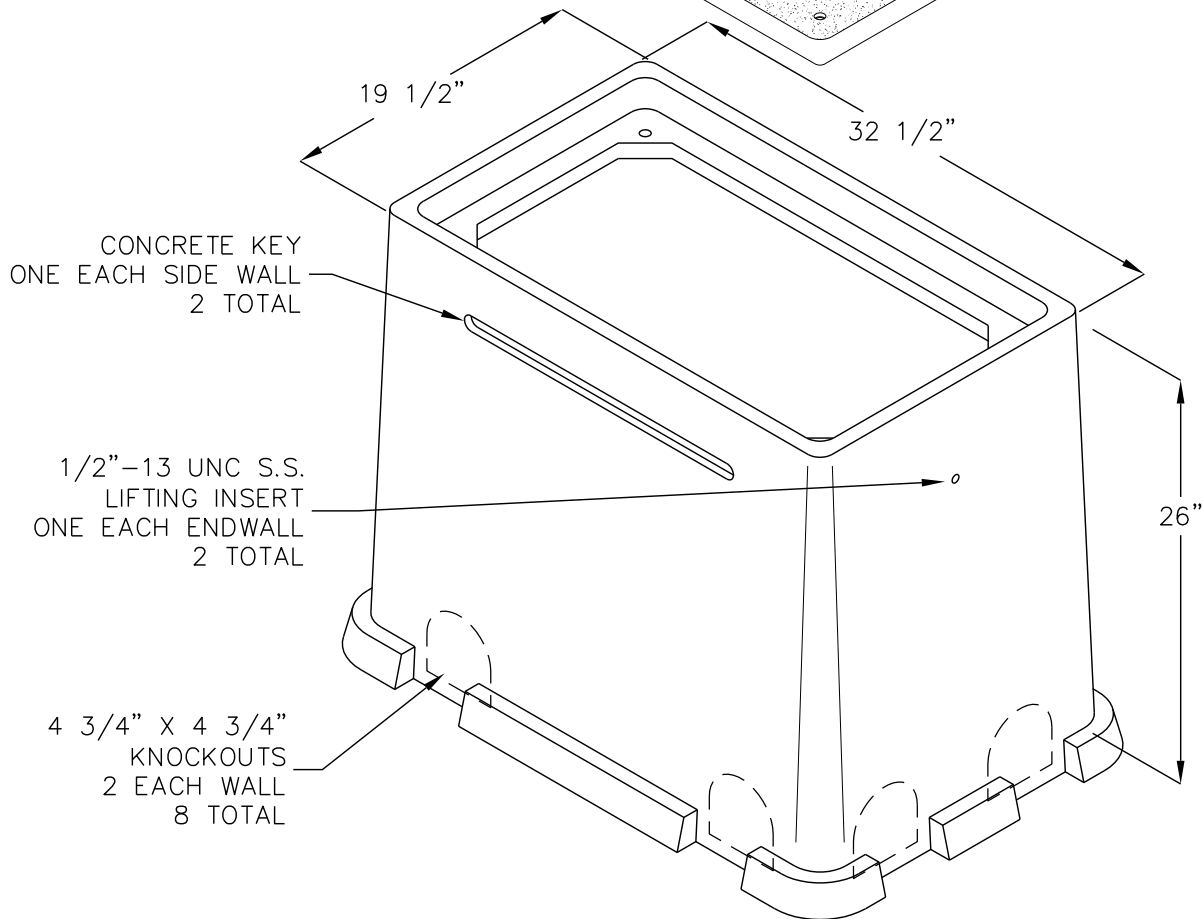
17x30 HANDHOLE NON-CONCRETE

17"x30"x26"
(INSIDE DIMENSIONS).

PG&E #04-0937

1/2" x 4" PULL SLOT
WITH 3/16" CENTER PIN
2 TOTAL

SLIP RESISTANT
SURFACE



NOMINAL DIMENSIONS	PG&E CODE NO.	DESCRIPTION	APPROX. WT. LBS.
17"x30"x26"	04-0937	BOX AND COVER ASSEMBLY	209
17"x30"x26"	04-0929	BOX ONLY	157
17"x30"x3"	04-0117	3" EXTENSIONS	47
	04-3720	LID ONLY	52

DESIGN LOAD: STATIC DESIGN LOAD OF 8000 LBS. OVER A 10" X 10" AREA.

FOR COMPLETE DESIGN AND PRODUCT INFORMATION
CONTACT JENSEN PRECAST.

4/25/06
173026HH_PGE_B.dwg
© 2006 Jensen Precast

JENSEN
PRECAST