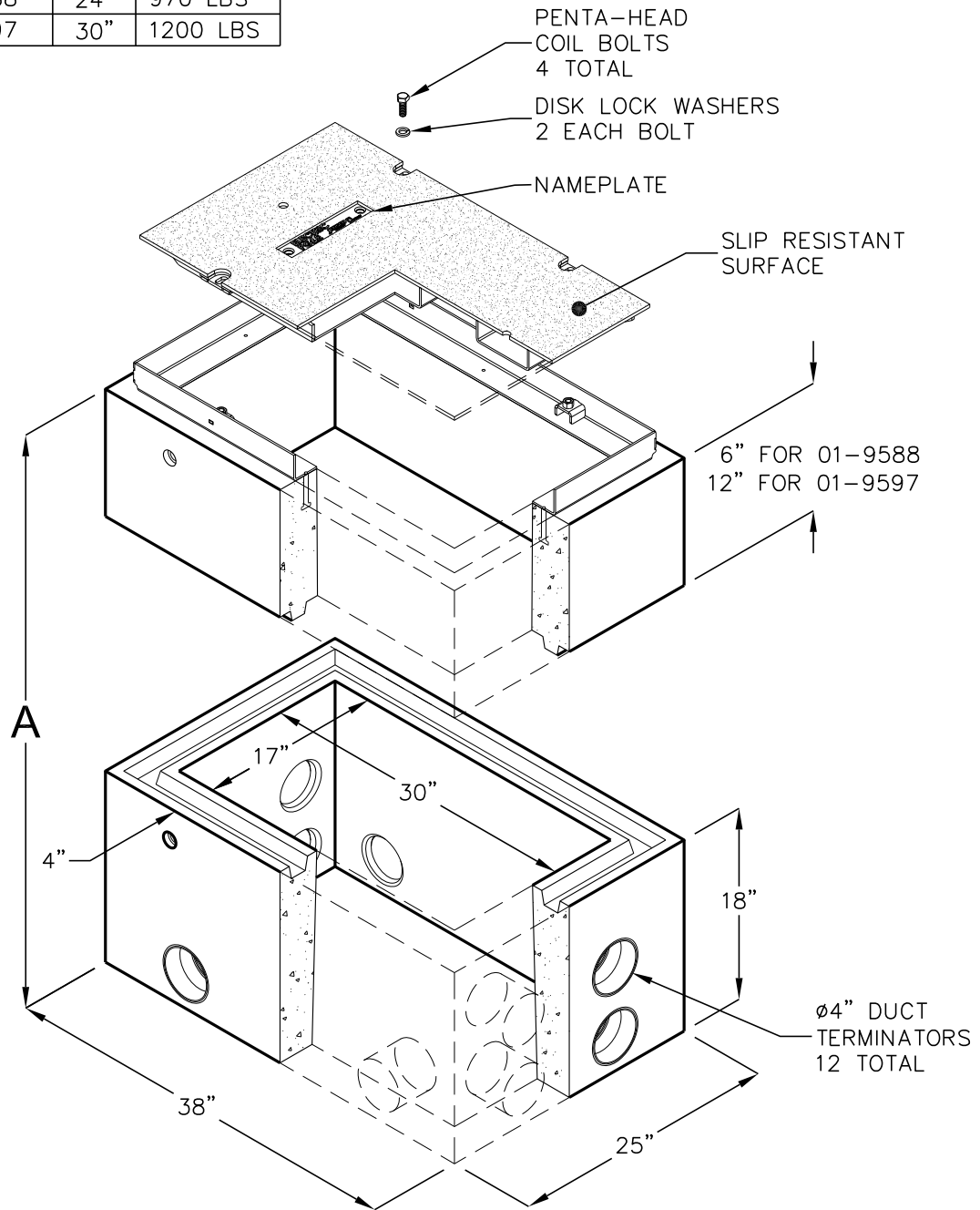




# 17"x30" FULL TRAFFIC CONCRETE BOXES

PG&E CODE: 01-9588  
01-9597

COMPLETE ASSEMBLY		
PG&E CODE	A	APPROX. WEIGHT
01-9588	24"	970 LBS
01-9597	30"	1200 LBS



MATERIAL LIST		
PG&E CODE	DESCRIPTION	WEIGHT (LBS)
043514	ENCLOSURE, 17"x30"x18" PG&E	580
043515	RISER 17"x30"x6" PG&E	390
043523	RISER 17"x30"x12" PG&E	620

C Jensen Precast reserves the right to make changes to product design and/or dimensions without notice. Please contact Jensen Precast whenever necessary for confirmation or advice on product design.