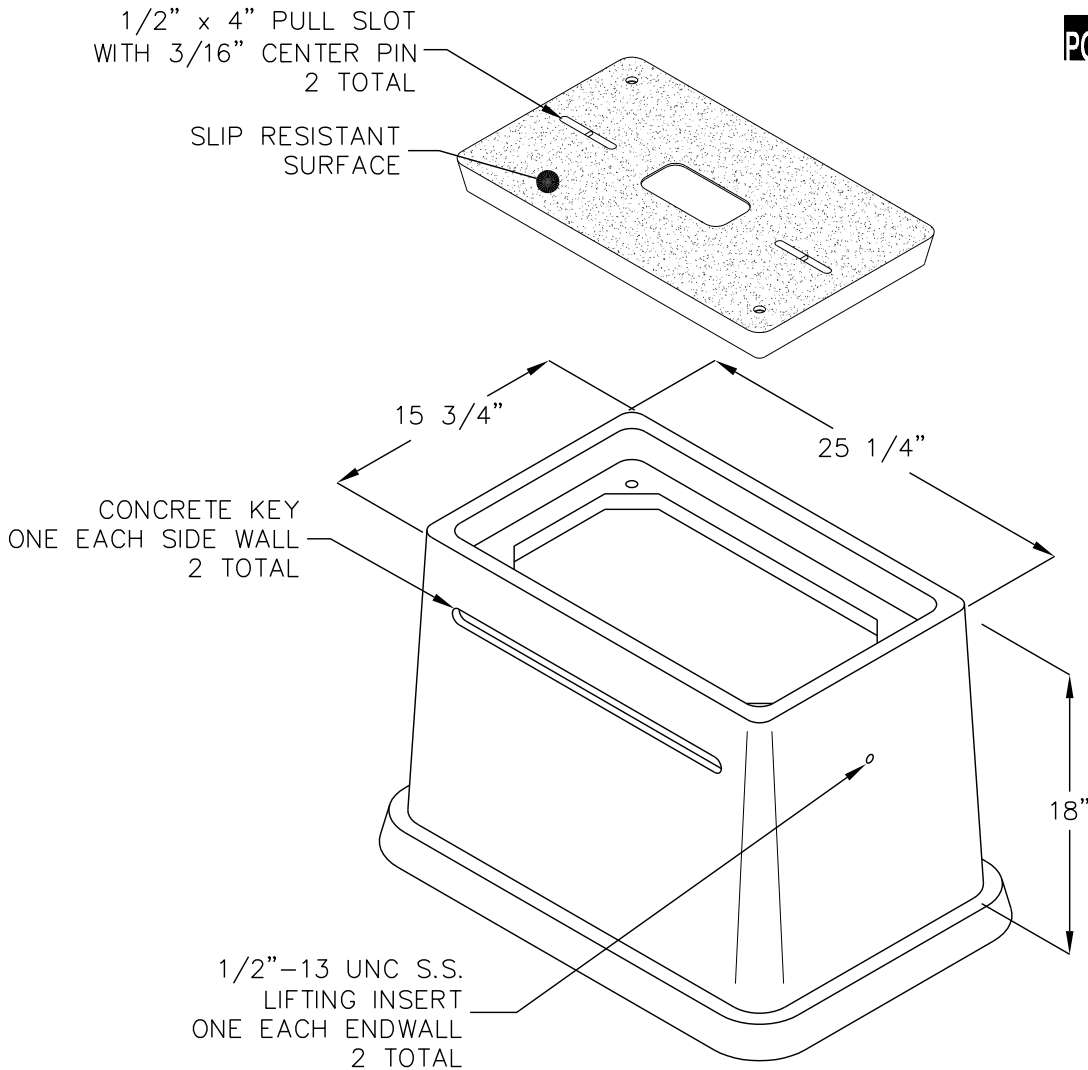


# 13x24 HANDHOLE NON-CONCRETE

PG&E APPROVED. POLYMER CONCRETE FRAME AND NON-SKID COVER FOR STRENGTH. "FRP" FIBERGLASS REINFORCED BODY FOR LIGHT WEIGHT. FLARED AT BASE TO PROVIDE ADDITIONAL WORK SPACE. MEETS ALL REQUIREMENTS OF W.U.C..

13"x24"x18"  
(INSIDE DIMENSIONS).

**PG&E** #04-0933



NOMINAL DIMENSIONS	PG&E CODE NO.	DESCRIPTION	APPROX. WT. LBS.
13"x24"x18"	04-0933	BOX AND COVER ASSEMBLY	170
13"x24"x18"	04-0931	BOX ONLY	136
13"x24"x3"	04-0241	3" EXTENSIONS	39
	04-3716	LID ONLY	34

DESIGN LOAD: STATIC DESIGN LOAD OF 8000 LBS. OVER A 10" X 10" AREA.

FOR COMPLETE DESIGN AND PRODUCT INFORMATION CONTACT JENSEN PRECAST.