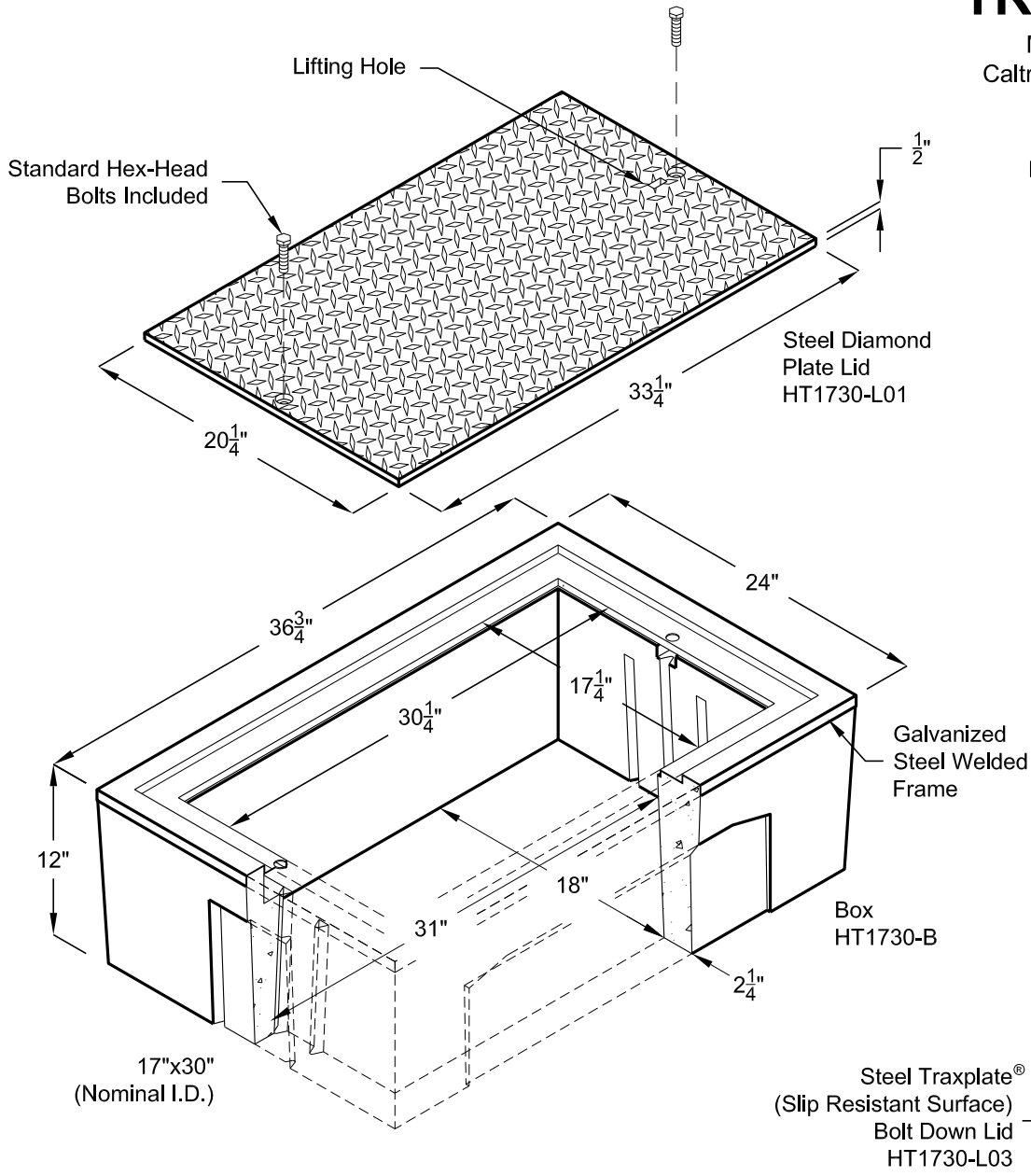


# HT1730 TRAFFIC BOX

Meets Specifications:  
Caltrans 6(T) and NDOT 7(T)

Compare to:  
Christy® B1730  
Brooks Products® 6-T



PART NO.	PRODUCT	DESCRIPTION	APPROX. WEIGHT	QTY. PER PALLET
HT1730-B	BOX	17"x30"x12" Concrete Traffic Rated Box (Comes Standard With Hex Bolts)	290	6
HT1730-E	EXTENSION	17"x30"x12" Concrete Extension	288	6
HT1730-L01	LID	Steel Diamond Plate Bolt Down Lid	105	
HT1730-L03	LID	Steel Traxplate® Bolt Down Slip Resistant Traffic Rated Lid	105	
GALVANIZING AVAILABLE ON ALL STEEL LIDS				

For penta head and other bolt options, see security hardware sheet.

Design load: Traffic rated when installed per Caltrans ES-8B

JENSEN®, JENSEN PRECAST®, TRAXPLATE®, and LOCKLID™ are trademarks owned by Jensen Enterprises. All other trademarks are the property of their respective owners. Jensen Precast reserves the right to make changes to product design and/or dimensions without notice. Please contact Jensen Precast whenever necessary for confirmation or advice on product design.

6/5/2014 HT1730\_N.DWG © 2014 JENSEN PRECAST



JENSENPRECAST.COM