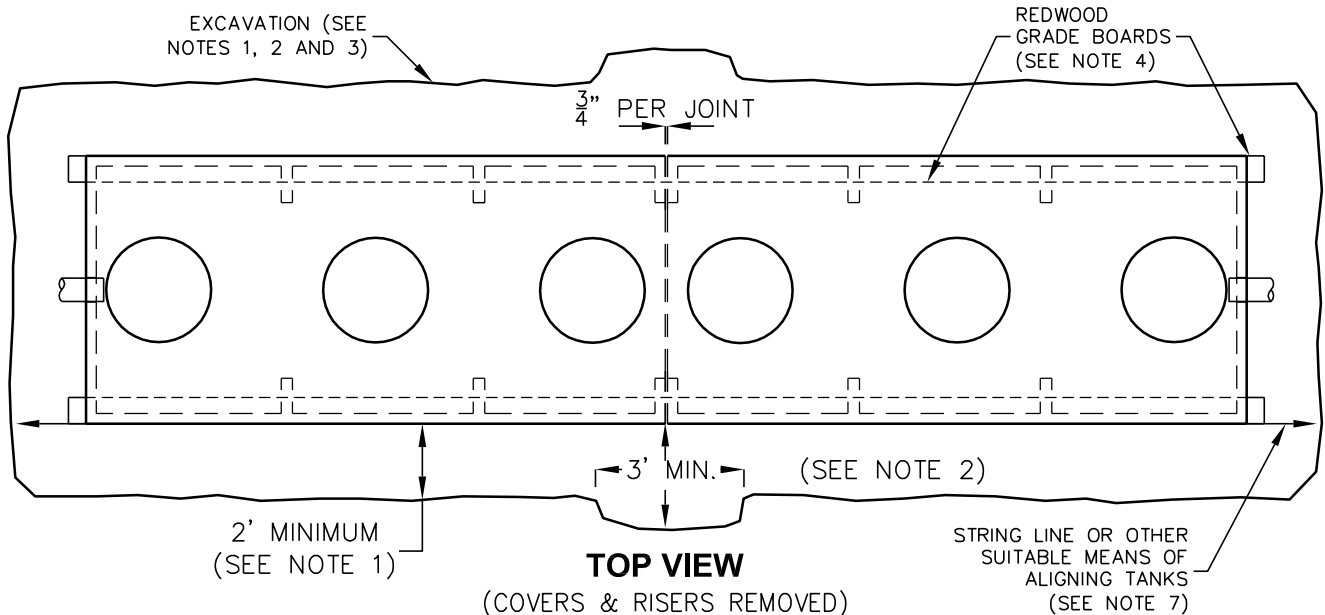
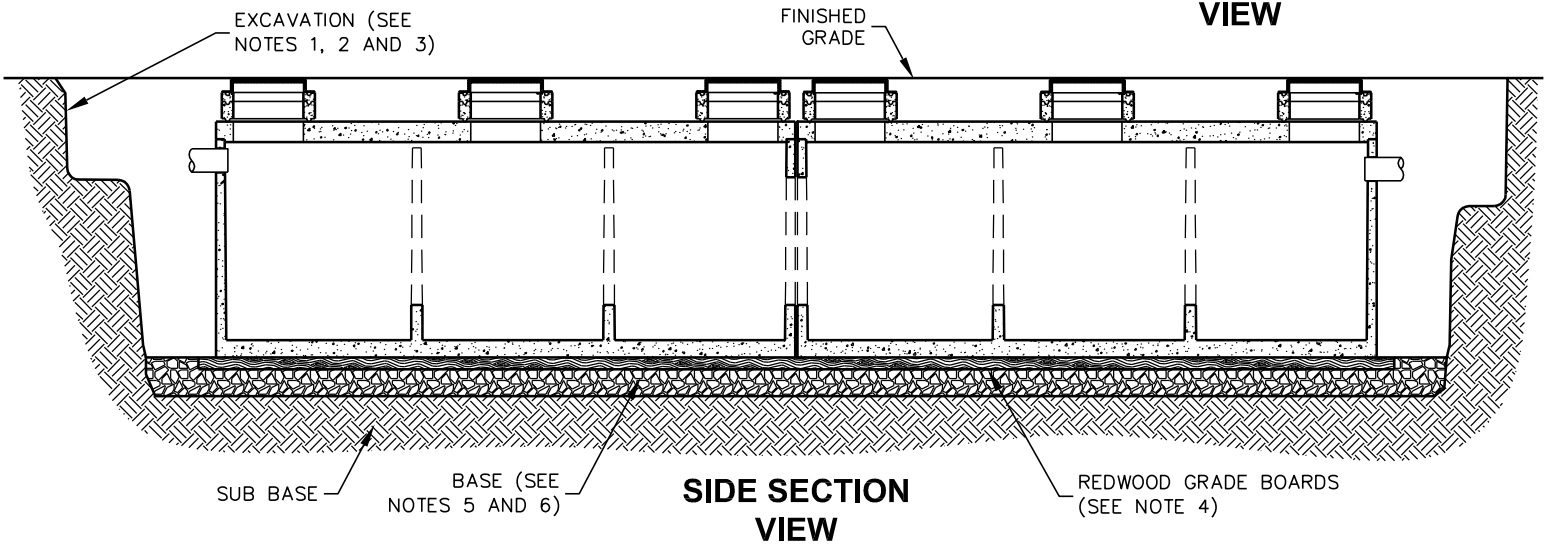
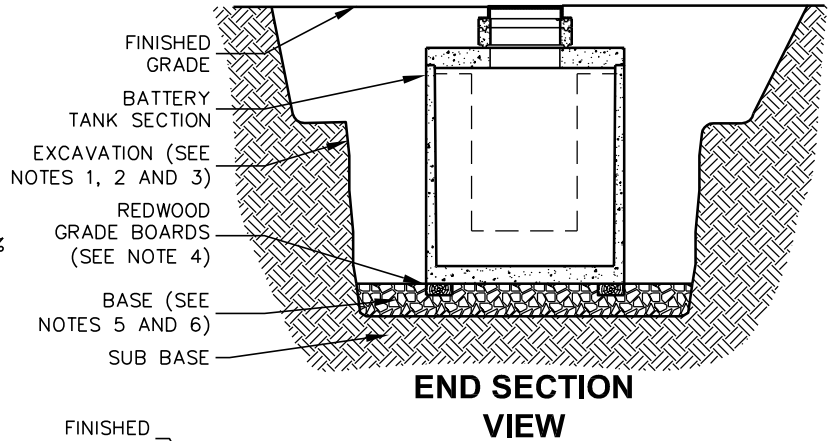


NOTES:

1. AREA MUST BE PREPARED AND CLEARED TO 2' MINIMUM SURROUNDING ENTIRE TANK.
2. AREA MUST BE PREPARED AND CLEARED TO 3'x3' IN ANY SEAM OR JOINT AREA PRIOR TO DELIVERY.
3. THE EXCAVATION'S SLOPE, BENCHING OR SHORING SHALL COMPLY WITH THE REQUIREMENTS OF OSHA 29 CFR 1926 SUBPART P. JENSEN PRECAST WILL NOT VIOLATE THIS OSHA STANDARD IN THE COURSE OF SETTING AND SEALING THE TANK.
4. PLACE 2" X 6" REDWOOD GRADE BOARDS UNDER TANK LENGTHWISE ALONG SIDES. EXTEND BOARDS BEYOND TANK ENDS.
5. BASE MUST BE LEVEL AND EVEN IN ALL DIRECTIONS.
6. THE EXCAVATION SHALL BE BEDDED WITH SUITABLE GRANULAR MATERIAL AND SHALL BE COMPACTED TO 90% OF IT'S MAXIMUM DRY DENSITY OR TO THE REQUIREMENTS OF THE PROJECT GEOTECHNICAL ENGINEER.
7. STRING LINE OR OTHER SUITABLE MEANS FOR ALIGNING TANKS MUST BE PROVIDED AND IN PLACE PRIOR TO INSTALLATION.

# BATTERY TANK

## EXCAVATION AND SITE PREPARATION



DRAWING NOT TO SCALE

Jensen Precast reserves the right to make changes to product design and/or dimensions without notice. Please contact Jensen Precast whenever necessary for confirmation or advice on product design.

