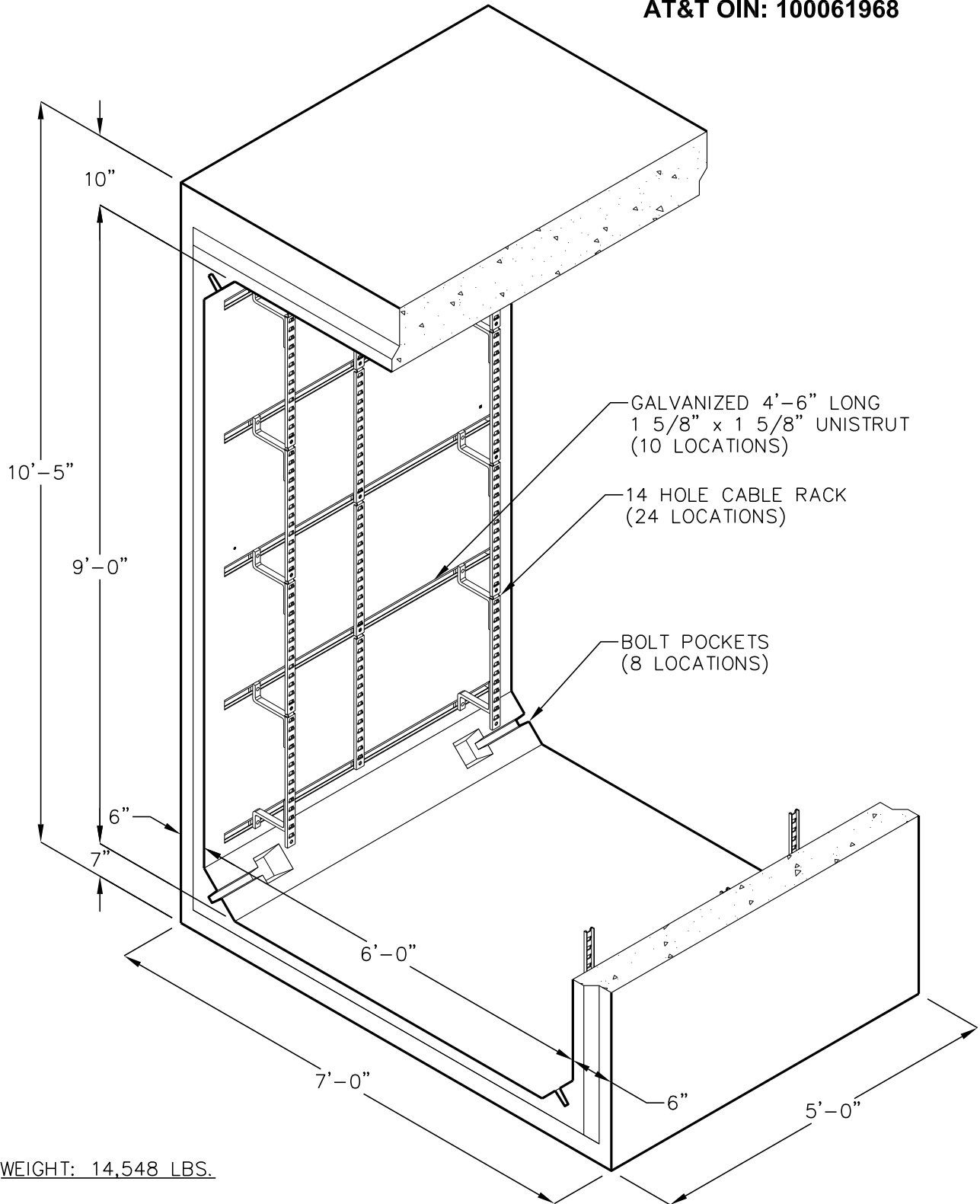




at&t Northern California  
Nevada

# 6'-0"x9'-0"x19'-0" AT&T MODULAR MANHOLE

TUNNEL CENTER NO ACCESS  
RACKED AND PAINTED  
AT&T OIN: 100061968



G Jensen Precast reserves the right to make changes to product design and/or dimensions without notice. Please contact Jensen Precast whenever necessary for confirmation or advice on product design.

4/3/2017  
VS69ATC\_SHT1.DWG  
©2017

**JENSEN**  
PRECAST  EST. 1968