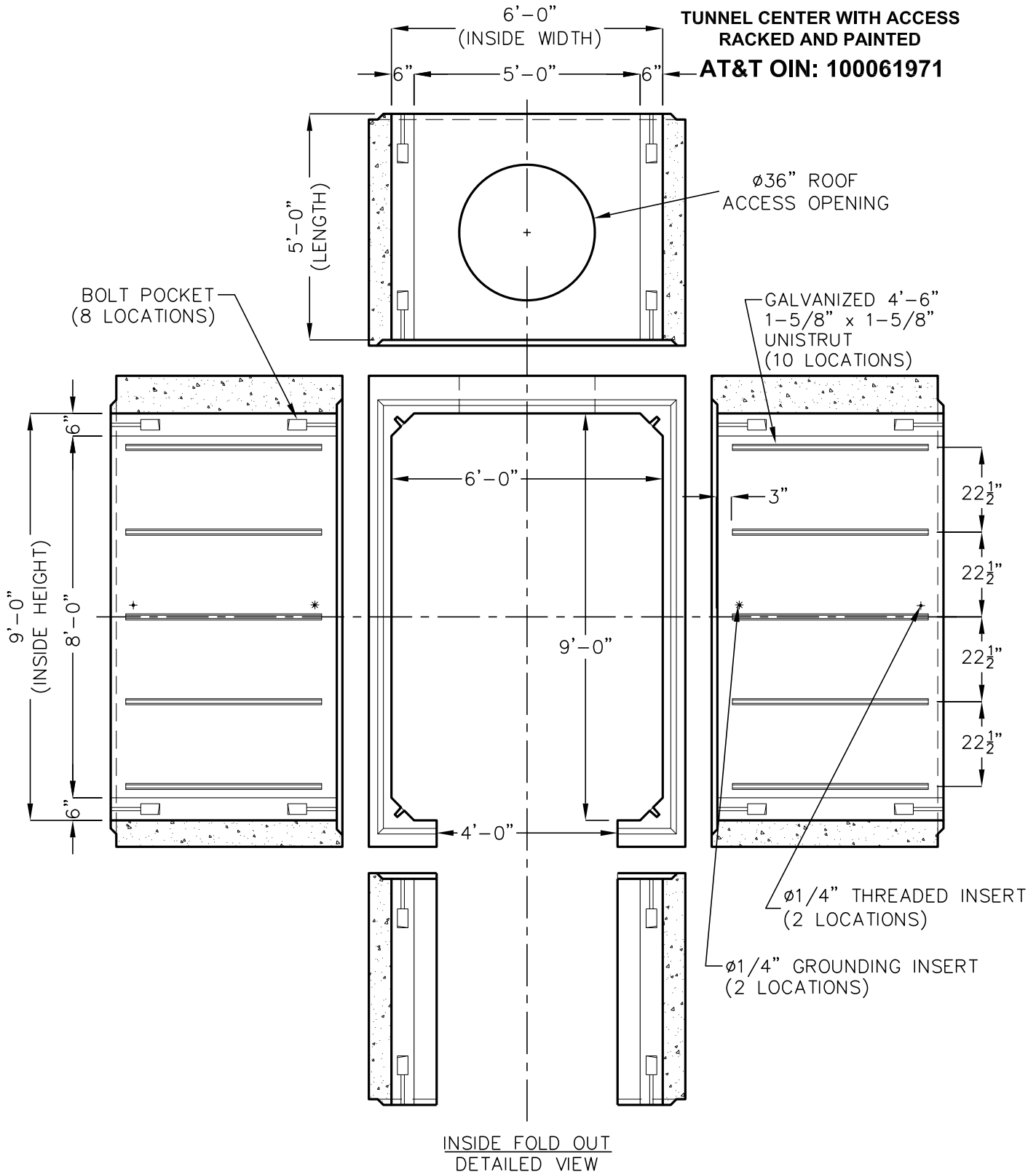




at&t Northern California
Nevada

6'-0"x9'-0"x19'-0" AT&T MODULAR INTERCEPT MANHOLE



G Jensen Precast reserves the right to make changes to product design and/or dimensions without notice. Please contact Jensen Precast whenever necessary for confirmation or advice on product design.

4/12/2017
VS69ATCAI_SHT2.DWG
©2017

JENSEN
PRECAST EST. 1968