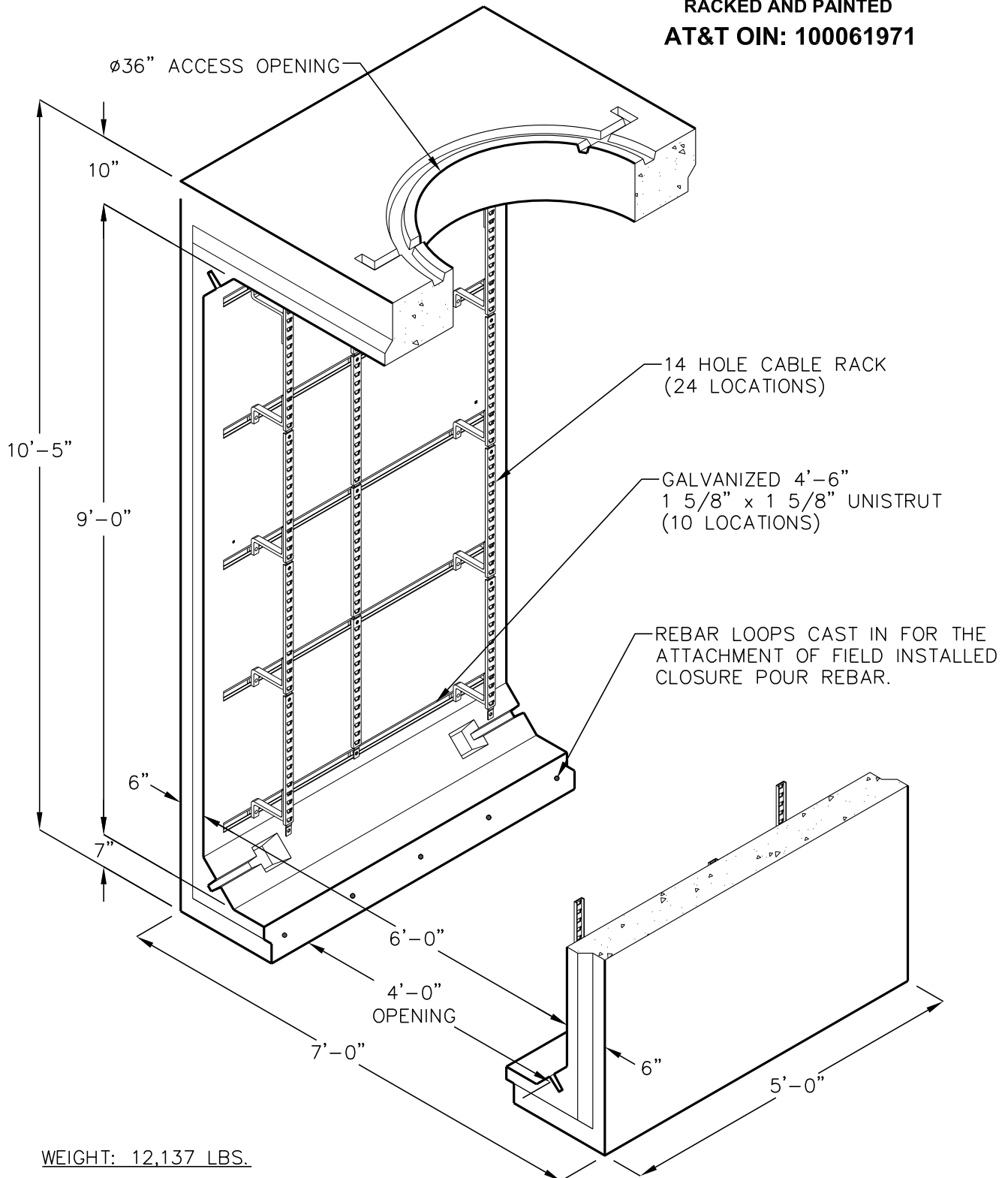




at&t Northern California
Nevada

6'-0"x9'-0"x19'-0" AT&T MODULAR INTERCEPT MANHOLE

TUNNEL CENTER WITH ACCESS
RACKED AND PAINTED
AT&T OIN: 100061971



WEIGHT: 12,137 LBS.

G Jensen Precast reserves the right to make changes to product design and/or dimensions without notice. Please contact Jensen Precast whenever necessary for confirmation or advice on product design.

4/12/2017
VS69ATCAI_SHT1.DWG
© 2017

JENSEN
PRECAST  EST. 1968