

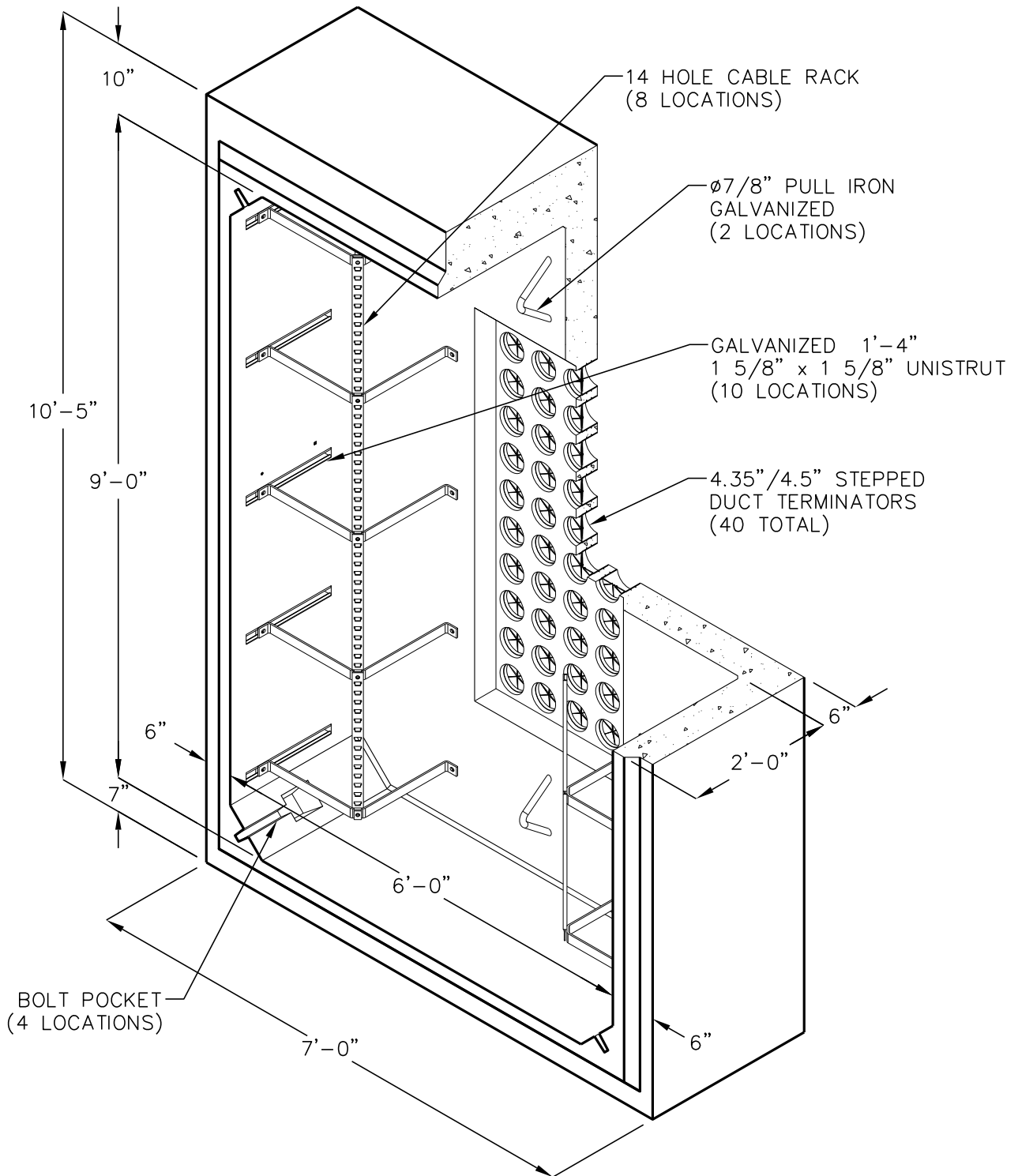


at&t Northern California
Nevada

6'-0"x9'-0"x19'-0" AT&T MODULAR MANHOLE

MALE TUNNEL END CAP RACKED AND PAINTED

AT&T OIN: 100061966(M)



WEIGHT: 10,646 LBS

G Jensen Precast reserves the right to make changes to product design and/or dimensions without notice. Please contact Jensen Precast whenever necessary for confirmation or advice on product design.

4/3/2017
VS69ATME_SHT1.DWG
©2017

JENSEN
PRECAST  EST. 1968