



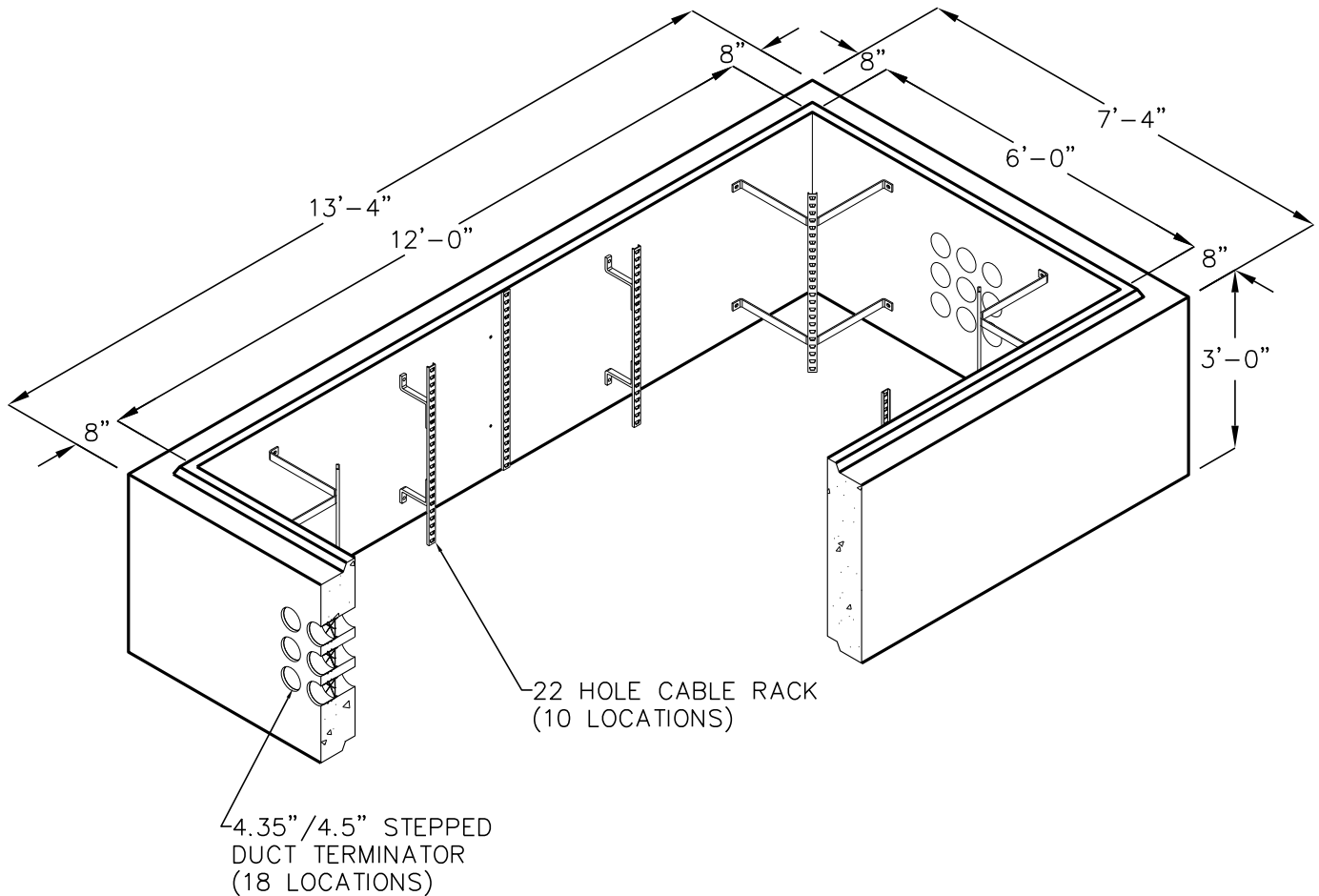
at&t Northern California
Nevada

6'-0"x12'-0"x3'-0"

AT&T MANHOLE

CENTER DUCT EXTENSION
RACKED AND PAINTED

AT&T OIN: 100061888



WEIGHT: 11,400 LBS.



Jensen Precast reserves the right to make changes to product design and/or dimensions without notice. Please contact Jensen Precast whenever necessary for confirmation or advice on product design.