



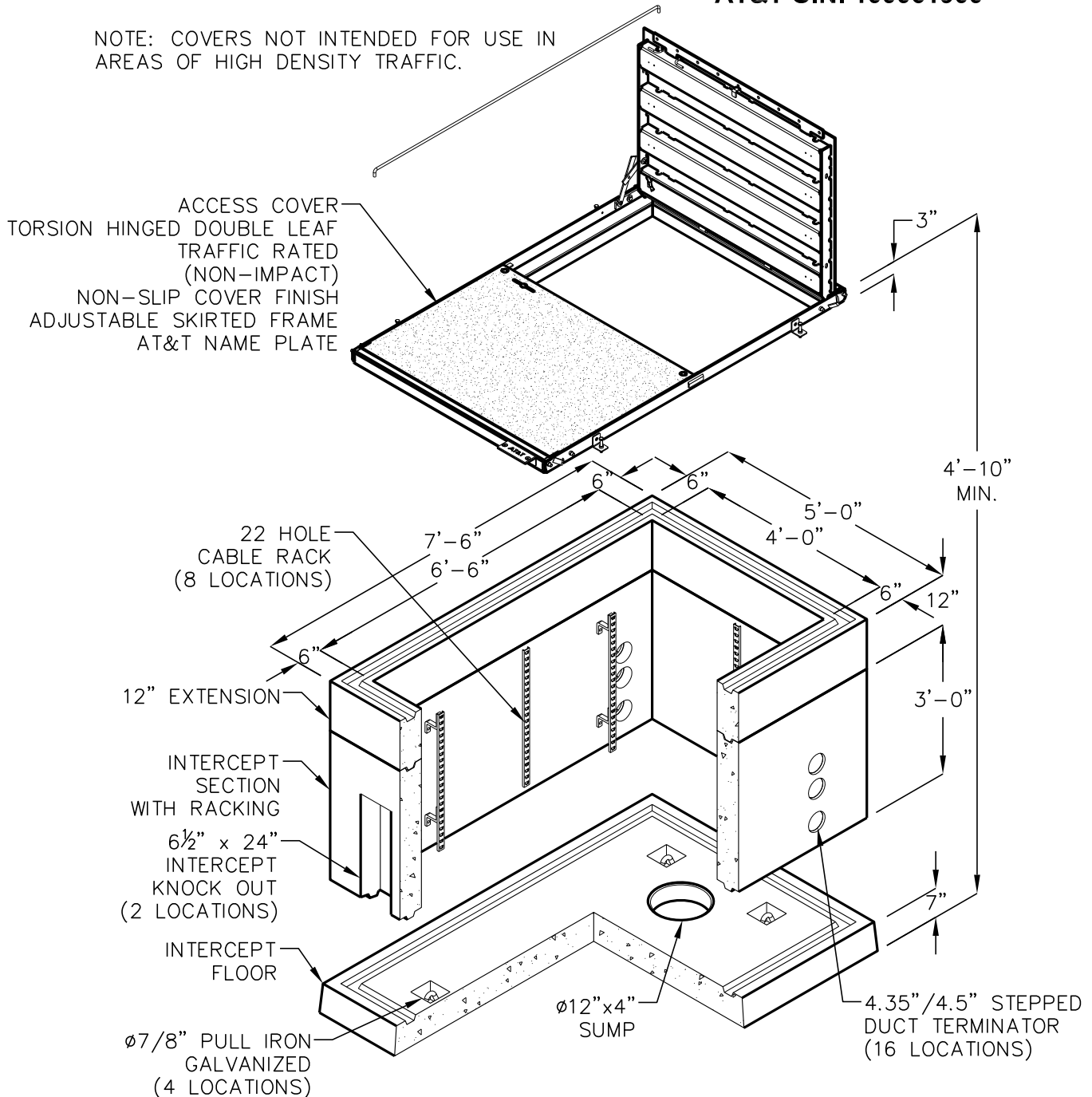
**at&t** Northern California  
Nevada

# 4'-0" x 6'-6" x 4'-0" AT&T SUB-SURFACE INTERCEPT ENCLOSURE

TRAFFIC RATED HINGED COVER

AT&T OIN: 100061900

NOTE: COVERS NOT INTENDED FOR USE IN AREAS OF HIGH DENSITY TRAFFIC.



MATERIAL LIST	
DESCRIPTION	WEIGHT (LBS)
4'-0" x 6'-6" x 7" INTERCEPT FLOOR	3,388
4'-0" x 6'-6" x 3'-0" INTERCEPT WITH RACKING - AT&T	4,905
4'-0" x 6'-6" x 12" EXTENSION	1,701
TORSION HINGED NON-SLIP STEEL COVER - TRAFFIC RATED	710

**JENSEN**  
PRECAST EST. 1968

Jensen Precast reserves the right to make changes to product design and/or dimensions without notice. Please contact Jensen Precast whenever necessary for confirmation or advice on product design.