



at&t Northern California
Nevada

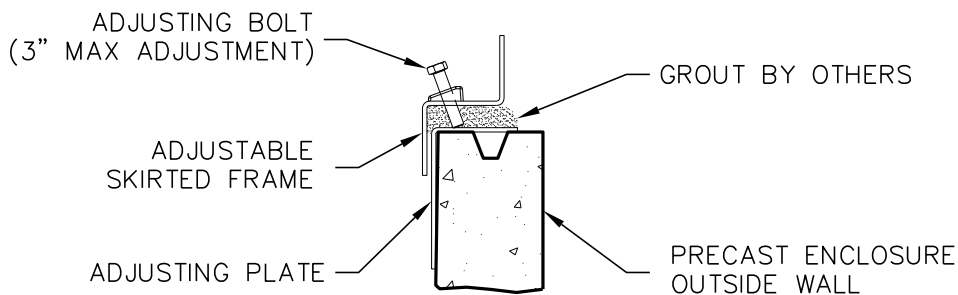
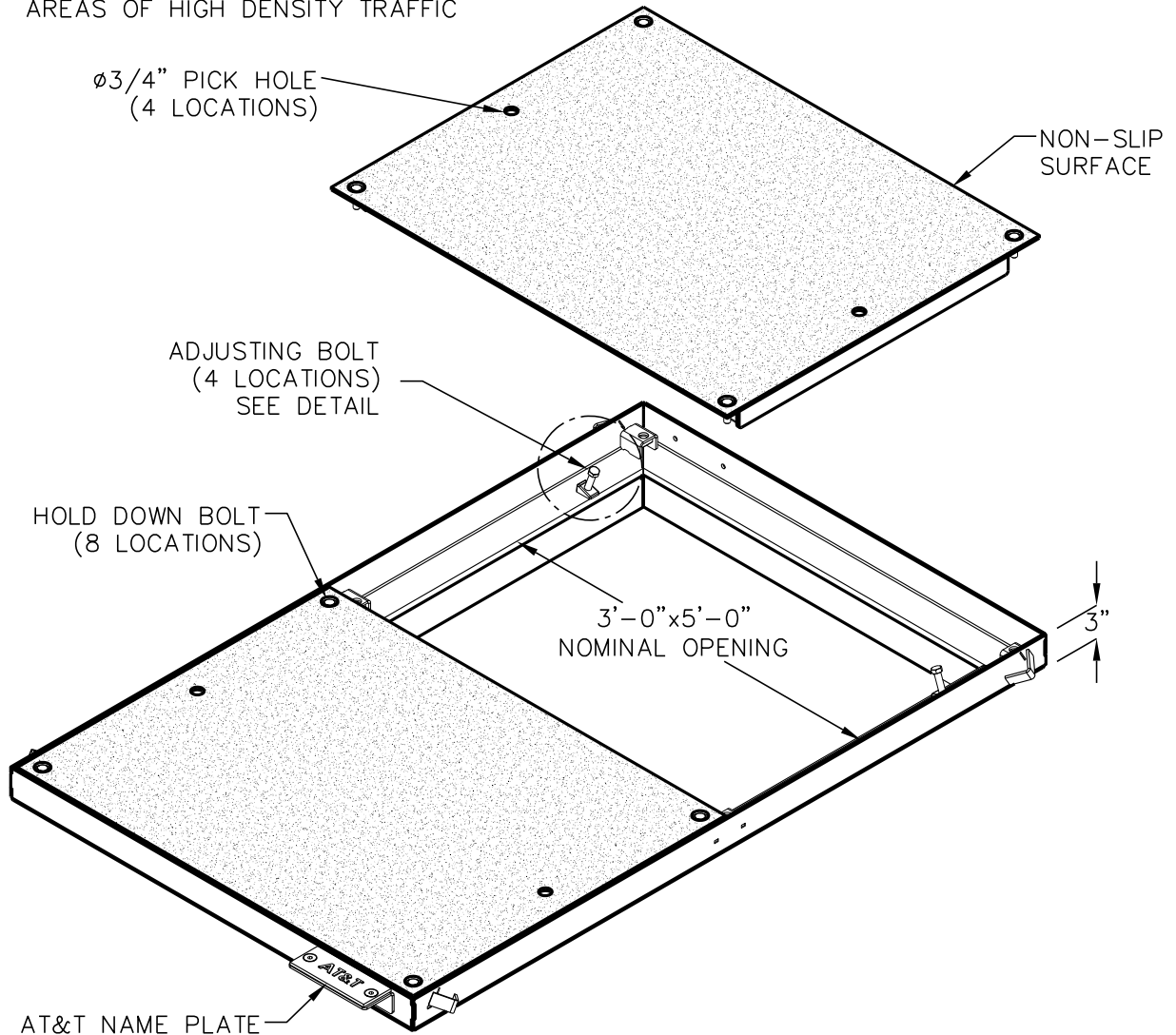
3'-0" x 5'-0"

ACCESS COVER

TRAFFIC RATED BOLT DOWN/DROP OFF
ADJUSTABLE FRAME

AT&T OIN: 100061902

NOTE: COVERS NOT INTENDED FOR USE IN
AREAS OF HIGH DENSITY TRAFFIC



SKIRTED STYLE HATCH
MOUNTING DETAIL

WEIGHT: 450 LBS

JENSEN
PRECAST EST. 1968

Jensen Precast reserves the right to make changes to product design and/or dimensions without notice. Please contact Jensen Precast whenever necessary for confirmation or advice on product design.