



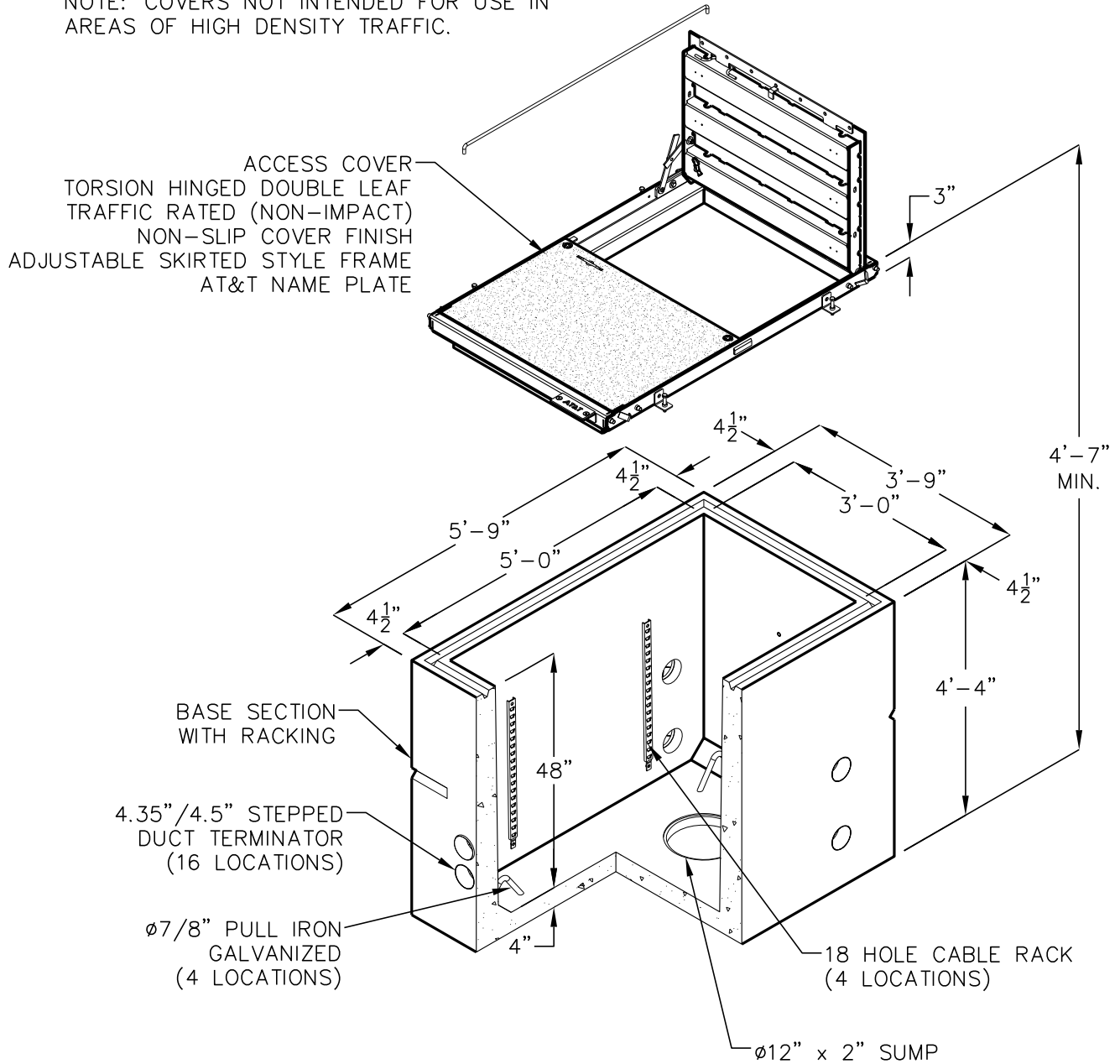
at&t Northern California
Nevada

3'-0" x 5'-0" x 4'-0" AT&T SUB-SURFACE ENCLOSURE

TRAFFIC RATED HINGED COVER

AT&T OIN: 100061883

NOTE: COVERS NOT INTENDED FOR USE IN AREAS OF HIGH DENSITY TRAFFIC.



MATERIAL LIST	
DESCRIPTION	WEIGHT (LBS)
3'-0" x 5'-0" x 4'-0" BASE WITH RACKING - AT&T	5,214
TORSION HINGED NON-SLIP STEEL COVER - TRAFFIC RATED	445

JENSEN
PRECAST EST. 1968

Jensen Precast reserves the right to make changes to product design and/or dimensions without notice. Please contact Jensen Precast whenever necessary for confirmation or advice on product design.