

8'-0" x 10'-0" EDISON TRANSFORMER PAD W/4'-0" x 7'-0" ENCLOSURE x 42" DEEP

NOTES:

- TRANSFORMER PAD AND ENCLOSURE ARE DESIGNED FOR PARKWAY LOADING PER CALCS. #31654 USING 5,500 PSI. COMPRESSIVE STRENGTH CONCRETE.
 - COVER IS DESIGNED FOR PARKWAY LOADING.
 - VAULT TO BE PLACED ON A MIN. 6" BASE OF CRUSHER RUN FOR EVEN LOAD DISTRIBUTION AND EASE OF INSTALLATION.
- THE FOLLOWING MATERIAL TO BE SHIPPED WITH EACH VAULT:
 (0) 7/8" x 1 3/4" CONSEAL GASKET (45 FT. REQ'D.)

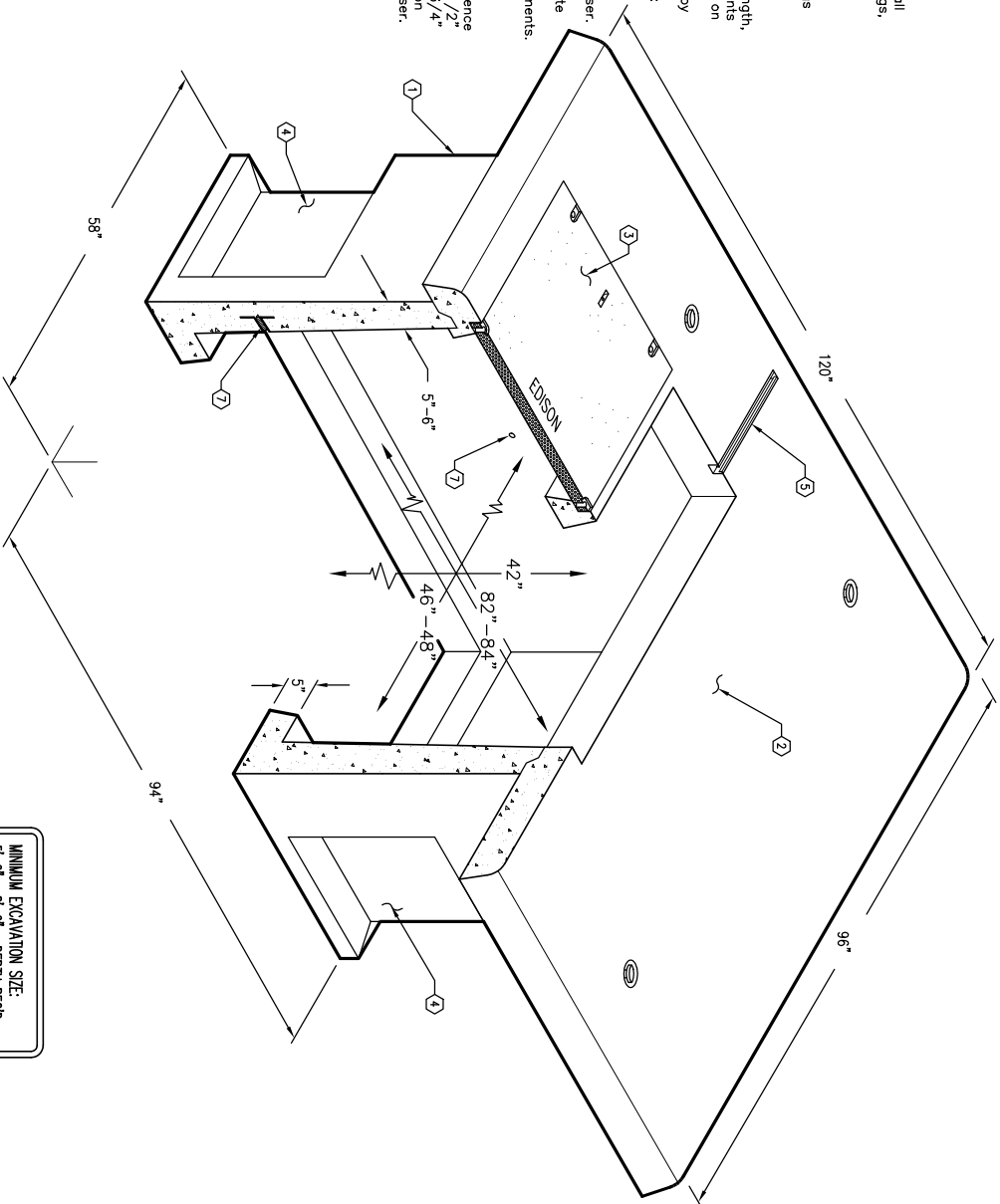
ORDERING INFORMATION:

K810-SB42-11 FOR ASSEMBLY AS SHOWN.
 APPROVED FOR EDISON SPEC. UGS-530 (500 SB-3).
 TOTAL WEIGHT OF ASSEMBLY AS SHOWN IS 11,348 Lbs.

1. SB47-B42-11, 42" BOTTOM SECTION, WT. 6,400 Lbs.
2. PD96120-T6-11, 6" TRANSFORMER PAD, WT. 4,900 Lbs.
3. RPM "EDISON" 1 PIECE COVER W/(6) 1/2" x 2 1/2" P.H.S.S. BOLT W/CAPTIVE WASHERS (2) LIFT EYES, WT. 109 Lbs.
4. 16" x 20" KNOCKOUT x 3 1/2" DEEP, DRAFT AS FOLLOWS: T=2", S1= 3 1/2", S2=3 1/2", B=2", BOTTOM SECTION (8) SHELL MTD.
5. 1 5/8" x 1 5/8" UNISTRUT x 18" LONG (55-21-018), TRANSFORMER PAD (2) TABLE MTD.
6. (0) 1/2" P-35-T INSERT W/CLEAN-OUT HOLE, TRANSFORMER PAD (0) FRAME MTD.
7. X 1 GALVANIZED COIL THREAD INSERT, BOTTOM SECTION (4) CORE MTD.

GENERAL NOTES:

1. Minimum soil bearing capacity is hereby assumed to be 2000 PSF unless otherwise documented by a geotechnical report that shall be provided to Jensen Precast by the end user. Jensen Precast shall not be held responsible for the design of the vault.
2. Installation of Manholes, Vaults, Handholes, Meter Boxes etc. will be as per Jensen installation procedures.
3. Structural modification to the Jensen line of products is not permitted without prior written approval from Jensen Engineering Department.
4. Do not scale the drawings, verify all dimensions including rough openings, and rough dimensions and conditions, notify the Jensen Engineer immediately.
5. The Jensen Engineer will interpret the intent of the drawings in case of possible conflict or discrepancy.
6. Permissible Variations - The length, width, height, or dia. measurements of the structure when measured on the finished surfaces shall not exceed the rough dimensions by more than the following:
 Dimensions: Tolerance:
 0 to 5 Feet: 1/4"
 5 to 10 Feet: 3/8"
 10 to 20 Feet: as agreed upon between the supplier and purchaser.
 Squariness Tolerance:
 The inside of the precast concrete component shall be square as determined by diagonal measurements. The difference between such measurements shall not exceed the following:
 The following: Allowable Difference
 0 to 10 Feet: 1/2"
 10 to 20 Feet: 3/4"
 20 Feet and over: as agreed upon between the supplier and purchaser.
- 7.



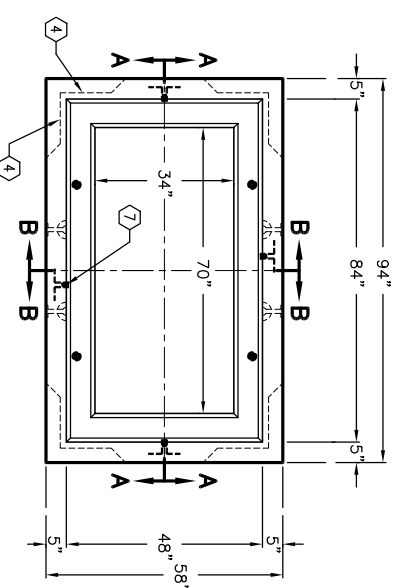
MINIMUM EXCAVATION SIZE:
 5'-6" x 8'-6" x DEPTH REQ'D.

K810-SB42-11

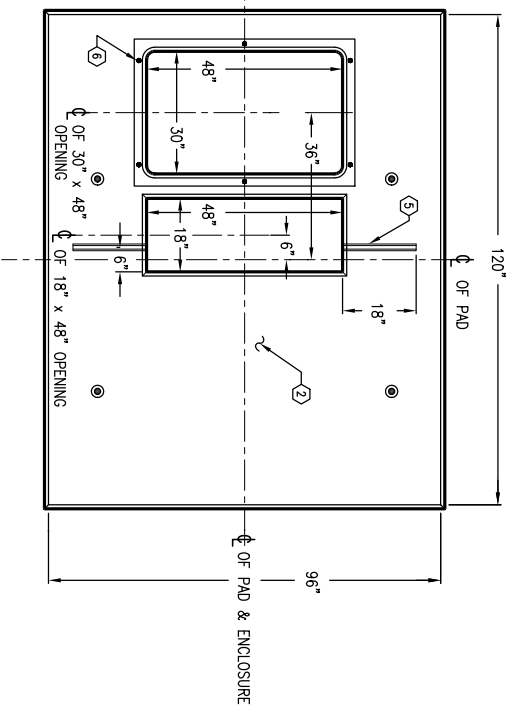
PER EDISON SPEC. UGS 530 (500 SB-3) 03-01-02



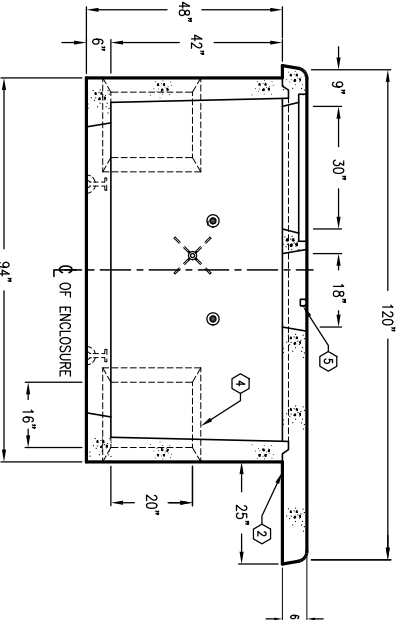
AUTOCAD REL. 14



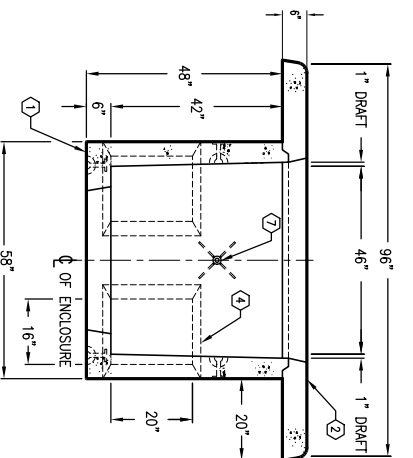
PLAN VIEW W/O TRANSFORMER PAD



PLAN VIEW OF TRANSFORMER PAD



SECTION A-A



SECTION B-B



K810-SB42-11

PER EDISON SPEC. UGS 530 (500 SB-3) 03-01-02

#	DATE	DESCRIPTION	BY