

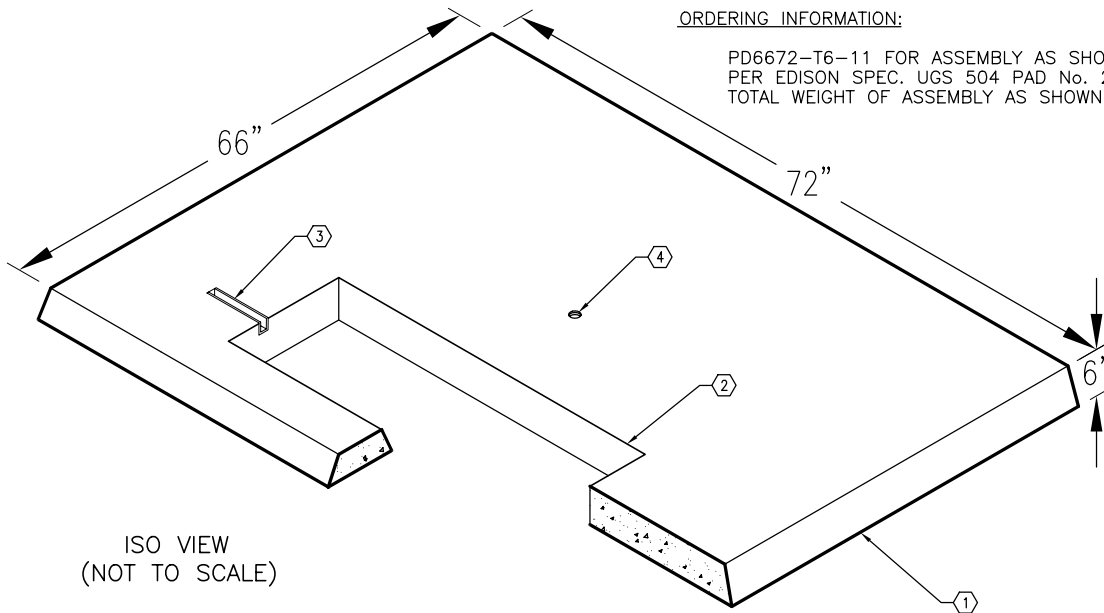
5'-6" x 6'-0" EDISON TRANSFORMER PAD

NOTES:

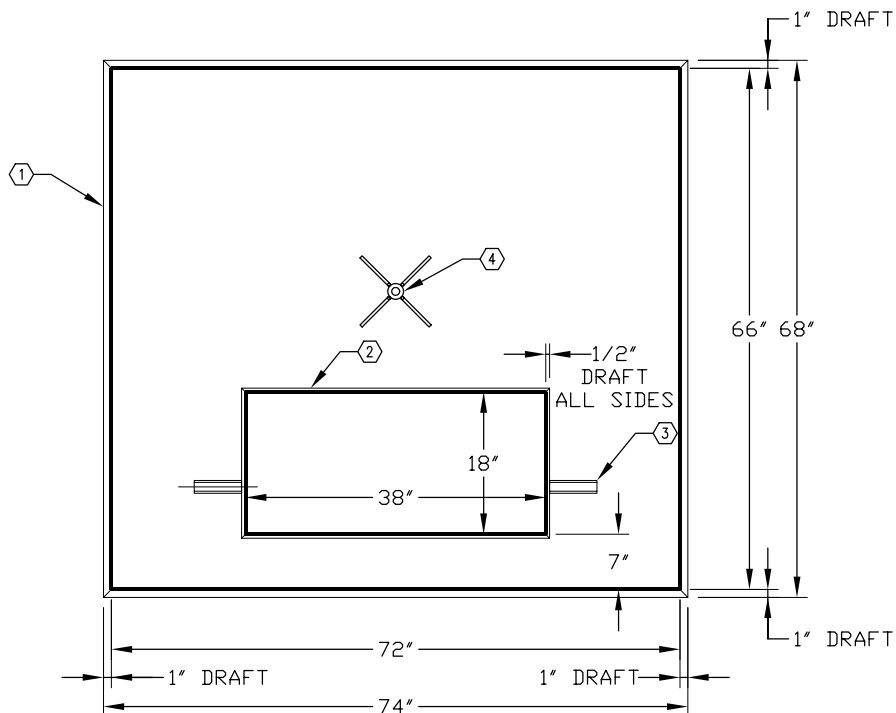
- TRANSFORMER PAD DESIGNED FOR PARKWAY LOADING USING 5,500 PSI [37.92MPa] COMPRESSIVE STRENGTH CONCRETE AND 60,000 PSI [413.2MPa] YIELD STRENGTH ASTM A-706 STEEL REINFORCEMENT PER CALCS. #31653.
- 1. PD6672-T6-11, 6" TRANSFORMER PAD, WT 2,118 Lbs.
- 2. 18" x 38" OPENING 1/2" DRAFT ALL SIDES. (1) TABLE MTD.
- 3. 1 5/8" x 1 5/8" GALVANIZED UNISTRUT x 6" LONG. LOCATE AS FOLLOWS: TRANSFORMER PAD (2) TABLE MTD.
- 4. 1" DIAMETER x 3 1/2" GALVANIZED COIL THREAD INSERT (1) TABLE MTD.

ORDERING INFORMATION:

PD6672-T6-11 FOR ASSEMBLY AS SHOWN.
 PER EDISON SPEC. UGS 504 PAD No. 2
 TOTAL WEIGHT OF ASSEMBLY AS SHOWN IS 2,118 Lbs.



ISO VIEW
(NOT TO SCALE)



PLAN VIEW



AUTOCAD REL. 14 (1551TP6-ED1)

#	DATE	DESCRIPTION	BY

PD6672-T6-11

PER EDISON SPEC. UGS 504, PAD #2/RIVERSIDE UGS-620, TP-6.

11-02-98