

5'-0" x 10'-6" EDISON PMH MANHOLE x 7'-0" DEEP

NOTES:

- MANHOLE DESIGNED FOR PARKWAY LOADING USING 5500 PSI [37.92MPa] COMPRESSIVE STRENGTH CONCRETE AND 60,000 PSI [413.2MPa] YIELD STRENGTH ASTM A-706 STEEL REINFORCEMENT PER CALC. #31649.
- MANHOLE TO BE PLACED ON A MIN. 6" CRUSHER RUN FOR EASE OF INSTALLATION AND EVEN LOAD DISTRIBUTION.
- DESIGNED & MANUFACTURED IN ACCORDANCE TO SO. CAL. EDISON SPEC. UGS-590.
- ALL WALLS AND CEILINGS SHALL BE PAINTED WHITE.
- TOP SURFACE OF TOP SECTION SHALL HAVE A LIGHT BROOM FINISH.
- STRUCTURAL DESIGN APPROVED BY LOS ANGELES COUNTY ROAD AND BRIDGE DEPARTMENT.

FOLLOWING MATERIAL TO BE SHIPPED WITH MANHOLE

- (a) 7/8" x 1 3/4" CONSEAL GASKET (33 FT. REQUIRED)
- (b) 1/2" x 6" GALVANIZED "J" BOLTS ATTACHED TO 1/2" P-36-T INSERTS CAST-IN THE TOP SECTION(4 REQ'D)
- (c) 5106 PMH STEEL ADAPTER PLATE-PER DWG. 650-181 ATTACHED IN CONCRETE RECESS IN TOP SECTION WITH (2) 3/8" X 1" S.S. FLAT HEAD SCREWS PRIOR TO SHIPMENT (1 REQ'D)
- (d) A-1106 N/S RPM "EDISON" COVER ATTACHED TO CAST-IN A-1106 N/S FRAME WITH (4) 5/8" X 1 1/2" S.S. HEX HEAD BOLTS WITH CAPTIVE S.S. WASHER PRIOR TO SHIPMENT (1 REQ'D)

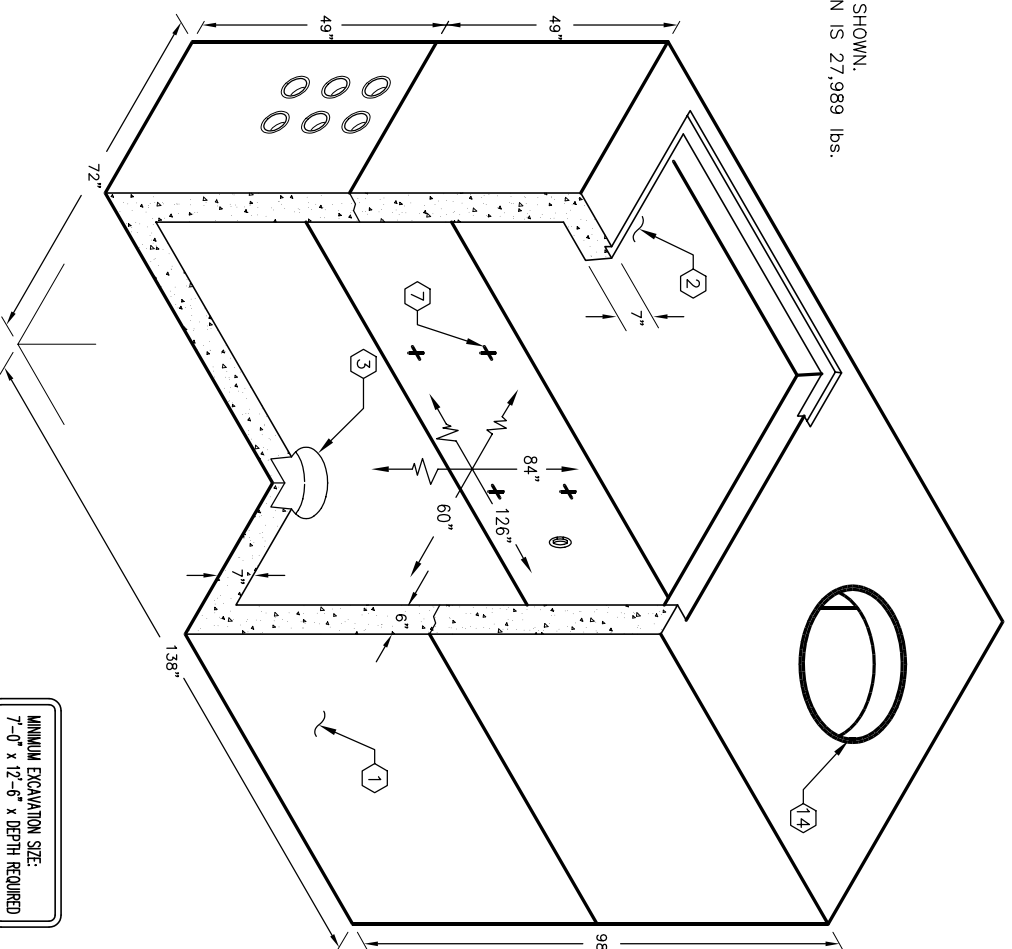
ORDERING INFORMATION:

K5106-PUV84-11 FOR ASSEMBLY AS SHOWN.
TOTAL WEIGHT OF ASSEMBLY AS SHOWN IS 27,989 lbs.

GENERAL NOTES:

1. Minimum soil bearing capacity is hereby assumed to be 2000 PSF unless otherwise documented by a geotechnical report that shall be provided to Jensen Precast by the end user. Jensen Precast shall not be held responsible for the soil bearing capacity. Installation of Manholes, Vaults, Handholes, Meter Boxes etc. will be as per Jensen Installation Procedures.
2. Structural modification to the structure without prior approval from Jensen Engineering Department.
3. Do not scale the drawings, verify all dimensions including rough openings, if any discrepancies are found, notify the Jensen Engineer immediately.
4. The Jensen Engineer will interpret the intent of the drawings in case of possible conflict or discrepancy.
5. Dimensional Tolerances - The length, width, height, or dia. measurements of the structure when measured on the inside surfaces shall not deviate from design dimensions by more than the following: Tolerance: 0 to 5 Feet 1/4" 5 to 10 Feet 3/8" 10 to 20 Feet as agreed upon between the supplier and purchaser. Squares/Tolerance: The inside of the precast concrete component shall be square as measured on the inside surfaces. The difference between such measurements shall not exceed the following: Measured Length: Allowable Difference 0 to 10 Feet 1/2" 10 to 20 Feet 3/4" 20 Feet and over as agreed upon between the supplier and purchaser.
- 6.
- 7.

1. UV5106-B42-11, 42" BOTTOM SECTION, WT. 14,778 lbs.
2. UV5106-T42-11P, 42" TOP SECTION, WT. 14,151 lbs.
3. 13" DIA. x 14" DIA. SUMP x 3" DEEP, BTM. SECTION (1) CORE MTD.
4. 5" DIA. CONTERM WITH LOCATOR FOR 6" WALLS, BTM SECTION (24) SHELL MTD.
5. 7/8" DIA. x 6" GALVANIZED PULL IRON, BOTTOM SECTION (4) CORE MTD.; TOP SECTION (4) CORE MTD.
6. 1/2" THREADED BRONZE INSERT BRAZED TO STRUCTURAL STEEL REBAR. "GRD" SHALL BE STENCILED IN RED LETTERS (1 1/2" MIN., 2" MAX.) ON THE CONCRETE ABOVE EACH INSERT, BOTTOM SECTION (2) CORE MTD.; TOP SECTION (4) CORE MTD.
7. 1/2" 1-5000 PLASTIC INSERT, BOTTOM SECTION (16) CORE MTD.; TOP SECTION (6) CORE MTD.
8. 1/2" P-36-T INSERT, TOP SECTION (4) CORE MTD.
9. 61" X 60" THRU-OPENING WITH 1/4" DEEP ADAPTER PLATE RECESS.
10. 3/8" P-25-T INSERT, TOP SECTION (4) SURFACE MOUNT.
11. CLEAN OUT HOLE: TOP SECTION (4) FRAME MOUNT.
12. 30" DIA. A-1106 N/S CAST IRON FRAME (05-30-01).



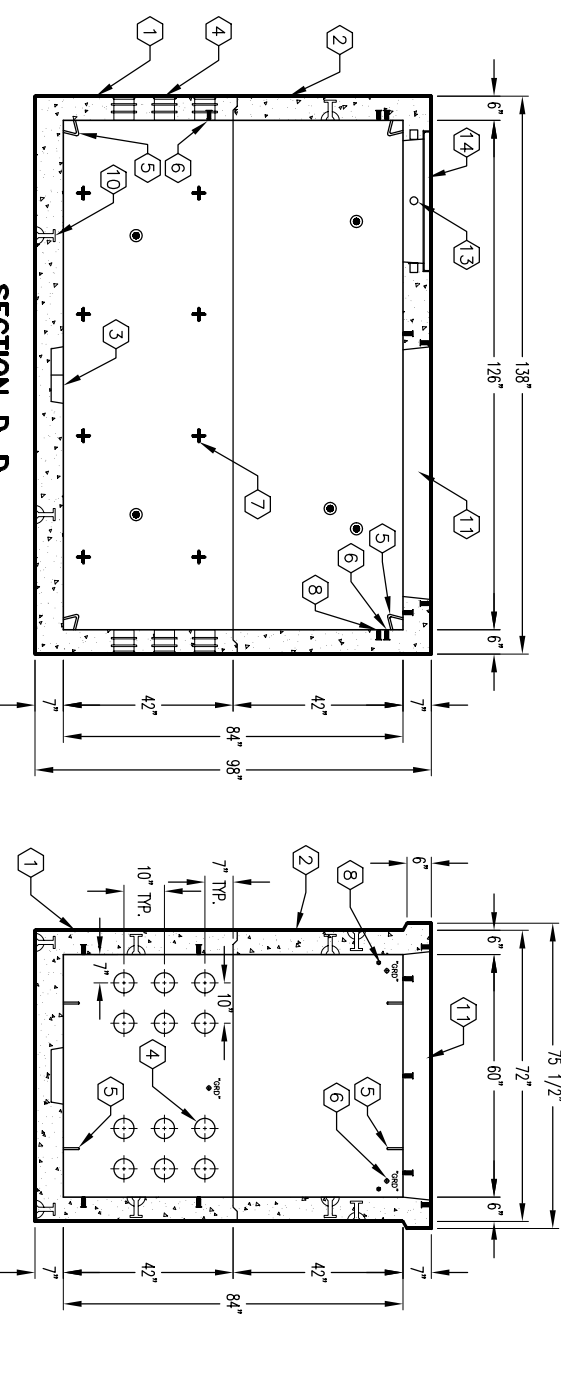
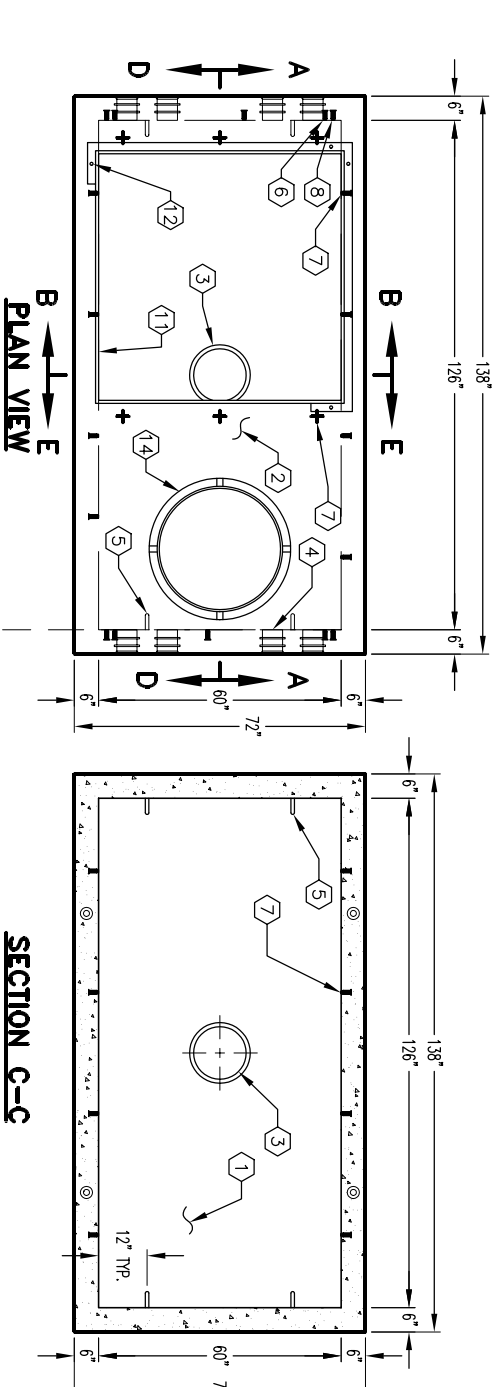
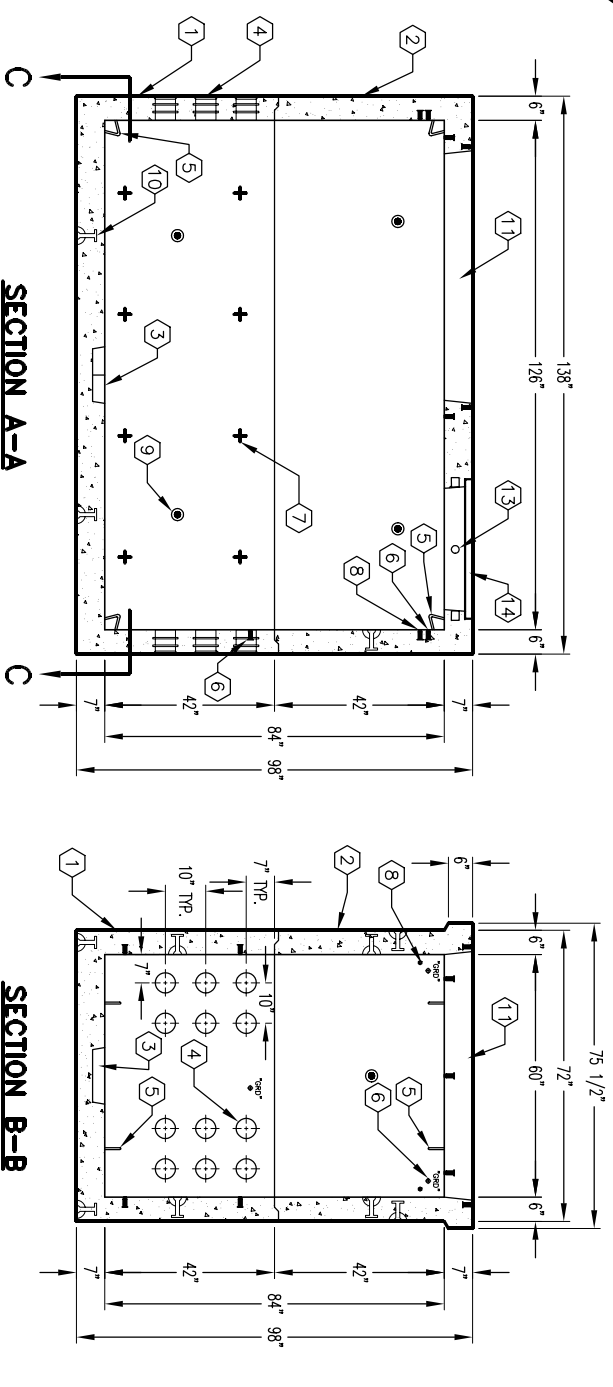
MINIMUM EXCAVATION SIZE:
7'-0" x 12'-6" x DEPTH REQUIRED

K5106-PUV84-11

PER EDISON SPEC. UGS 590 03-01-02



AUTOCAD REL. 14



#	DATE	DESCRIPTION	BY

K5106-PUV84-11

PER EDISON SPEC. UGS 590 03-01-02

