

3'-0" x 5'-0" EDISON DUCTED PULL BOX x 50" DEEP

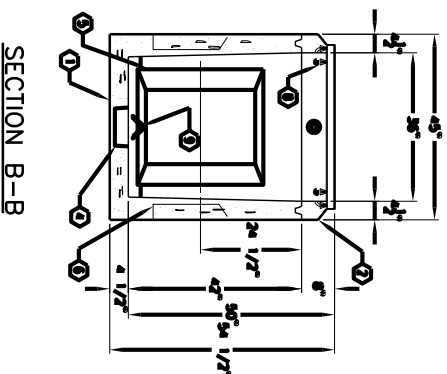
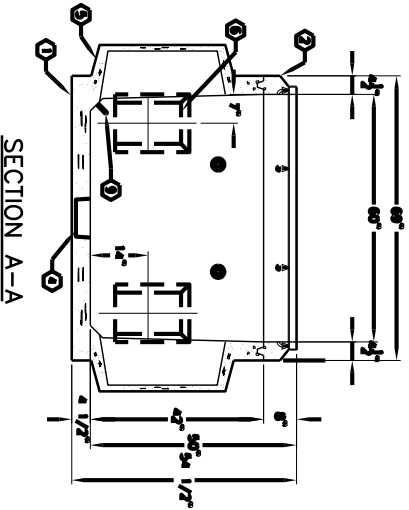
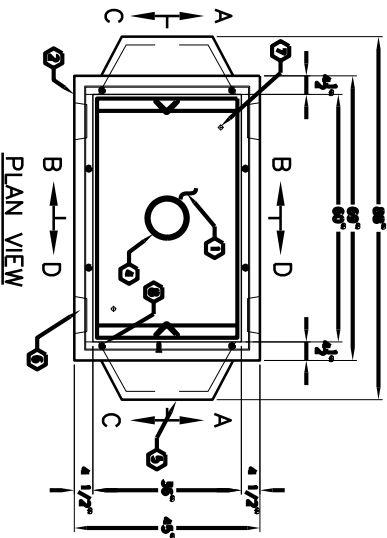
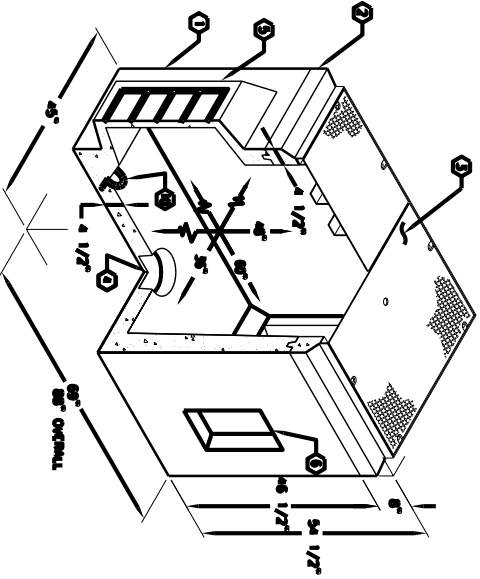
NOTES:

- 1. PULL BOX DESIGNED TO ACCOMMODATE WITH APPROXIMATELY 20-40 WATT INCANDESCENT LAMP LOADS 5,500 PS COMPRESSION STRENGTH CONCRETE AND 60,000 PS TENSILE STRENGTH STEEL.
- 2. PULL BOX TO BE PLACED ON A MIN. 6" BARS OF CONCRETE AND TOP EDGE OF INSULATION AND EARTH LOAD DISTRIBUTION.
- 3. APPROVED PER JENSEN SPEC. US-2251 PB-6 FOR A WEIGHT OF ASSEMBLY SHOWN IS 5,435 LB.
- 4. PREFERRED 8" x 8" 4" BOTTOM SECTION, WT. 4,480 LB.
- 5. PREFERRED 8" x 8" TOP SECTION, W/GRV. W/OUT FRAMES CASH-IN.
- 6. SECTION-TOP, 11" HIGH PERFORATED FRAMES, GALVANIZED FRAMES, W/OUT TOPSOFT.
- 7. 1/2" ROUND HOLE, WT. 425 LB. (AS SHOWN)
- 8. 1/2" x 20'-42" 2 PACE HANG PASTERS COVER, W/OUT TOPSOFT. (NOT SHOWN)
- 9. 6" x 8" GRV. SUMP x 7" DEPT. BOTTOM SECTION.
- 10. 6" x 28" 1/2" DUCTED ROD x 17" DEPT. BOTTOM SECTION.
- 11. 10" x 18" x 10" x 3" GRV. BOTTOM SECTION.
- 12. 1" DIA. BUSH GROUND ROD HOLE, BOTTOM SECTION.
- 13. 1/2" P-25-1 RESIN W/CLAM-OUT HOLE, TOP SECTION.
- 14. 1/2" DIA. x 8" GRV. W/GRV. PULL ROD, BOTTOM SECTION.

GENERAL REQUIREMENTS:

APPROVED PER JENSEN SPEC. US-2251 PB-6 FOR A WEIGHT OF ASSEMBLY SHOWN IS 5,435 LB.

LIGHT TRAFFIC ASSEMBLY WITH STEEL COVER K3660-DP50-11P.
 PARKWAY ASSEMBLY WITH RPM COVER K3660-DP50-11P.



MINIMUM EXPOSURE SPEC:
 4'-1\" x 7'-5\" x 18PHI ROD.



K3660-DP50-11
 PER DESIGN SPEC. US-2251 PB-6
 03-01-02



K3660-DP50-11
 PER DESIGN SPEC. US-2251 PB-6
 03-01-02