

8'-0" x 20'-0" SDG&E DISTRIBUTION VAULT x 9'-4" DEEP-3326

NOTES:

- VAULT DESIGNED IN ACCORDANCE WITH AASHTO H-20-44 TRAFFIC BRIDGE LOADING USING 5,500 PSI COMPRESSIVE STRENGTH CONCRETE AND 60,000 PSI YIELD STRENGTH ASTM A-706 STEEL REINFORCEMENT PER CALCS. #31012.
- VAULT TO BE PLACED ON A MIN. 6" BASE OF CRUSHER RUN FOR EASE OF INSTALLATION AND EVEN LOAD DISTRIBUTION.
- EXTERIOR SURFACES OF STRUCTURE(S) SHALL BE COATED WITH AN APPROVED, TRANSPARENT, WATER-PROOFING SEALER.
- ALL INTERIOR SURFACES SHALL BE PAINTED WITH ONE COAT OF FLAT LATEX WHITE PAINT.
- STRUCTURES TO BE STENCILED, "JENSEN PRECAST", WITH "TIME" AND "DATE OF POUR" AND WITH S.D.G.& E. STOCK NUMBER (SEE BELOW) ON INTERIOR AND EXTERIOR WALLS.

JENSEN PART NO. S.D.G.& E. STOCK NO.

UV820-B56-10 475904
UV820-156-10 475904

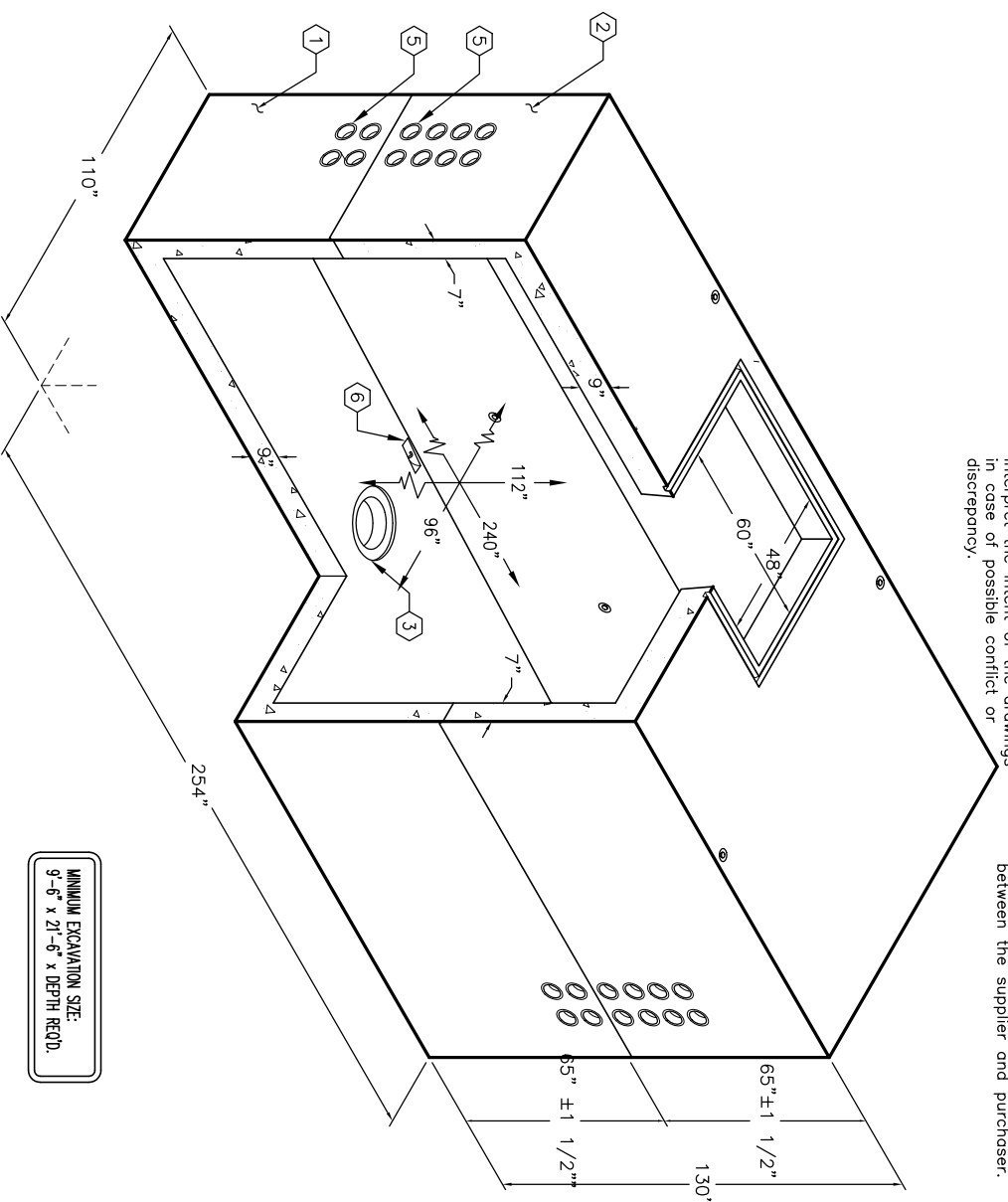
ORDERING INFORMATION:

K820DV12-10 FOR ASSEMBLY AS SHOWN.
APPROVED FOR S.D.G. & E. SPEC. 3326.
TOTAL WEIGHT OF ASSEMBLY SHOWN IS 88,831#.

1. UV820-B56-10, 56" BOTTOM SECTION, WT. 45,648#.
2. UV820-156-10, 56" TOP SECTION, WT. 43,183#.
3. 13" x 14" DIA. SUMP x 5" DEEP, W/GRATE RECESS TO ACCOMMODATE SUMP COVER, BOTTOM SECTION (1) CORE MTD.
4. 6" DIA. K.O. x 5" DEEP, ROOF SECTION (16) CORE MTD.
5. 5" DIA. TERMINATORS BOTTOM SECTION (32) SHELL MTD.; ROOF SECTION (64) SHELL MTD.
6. 7/8" DIA. x 4 1/2" PULL IRON W/LEGS, GALV. BOTTOM SECTION (10) CORE MTD.
7. 1/2" BRONZE GROUND INSERT WELDED TO REIN. W/ PLASTIC PLUG MARKED "GRD" IN RED.; BOTTOM SECTION (2) CORE MTD.; ROOF SECTION (2) CORE MTD.

GENERAL NOTES:

1. Minimum soil bearing capacity is hereby assumed to be 2000 PSF unless otherwise documented by a geotechnical report that shall be provided to Jensen Precast by the end user. Jensen Precast shall not be held responsible for the soil bearing capacity. Installation of Manholes, Vaults, Handholes, Meter Boxes etc. will be as per Jensen installation procedures.
2. Structural modification to the Jensen line of products is not permitted without prior written approval from Jensen Engineering Department. Do not scale the drawings, verify all dimensions including rough openings, if any discrepancies are found, notify the Jensen Engineer immediately.
3. The Jensen Engineer will interpret the intent of the drawings in case of possible conflict or discrepancy.
4. Permissible Variations: Dimensional Tolerances - The length, width, height, or dia. measurements of the structure when measured on the inside surfaces shall not deviate from design dimensions by more than the following: Tolerance: 0 to 5 Feet 1/4" 5 to 10 Feet 3/8" 10 to 20 Feet as agreed upon between the supplier and purchaser.
5. Squariness Tolerance: The inside of the precast concrete component shall be square as determined by diagonal measurements. The difference between such measurements shall not exceed the following: Measured Length: Allowable Difference 0 to 10 Feet 1/2" 10 to 20 Feet 3/4" 20 Feet and over as agreed upon between the supplier and purchaser.

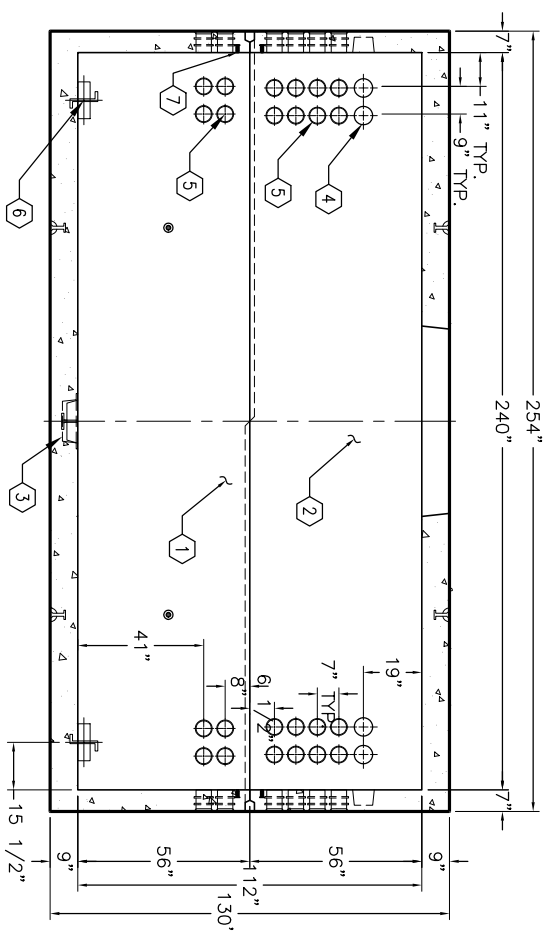


K820-FV12-10

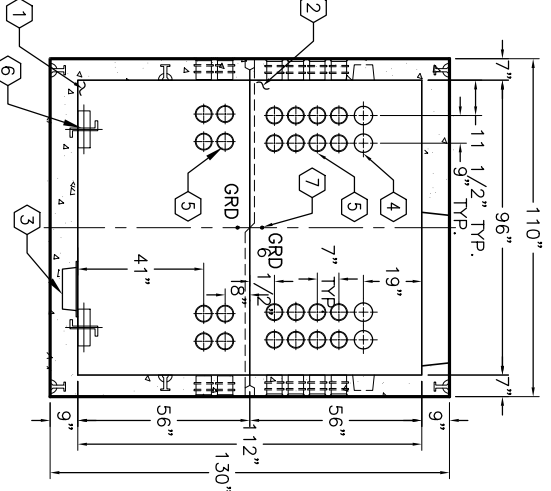
AUTOCAD REL. 14

PER S.D.G. & E. SPEC. 3326

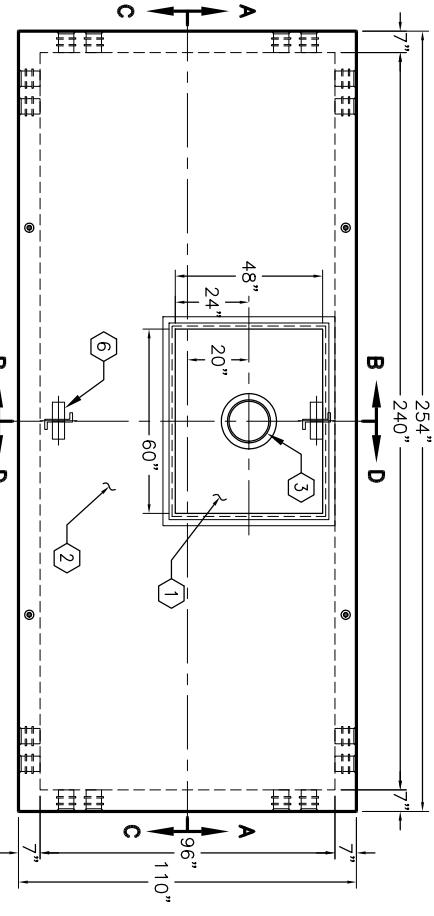
03-01-02



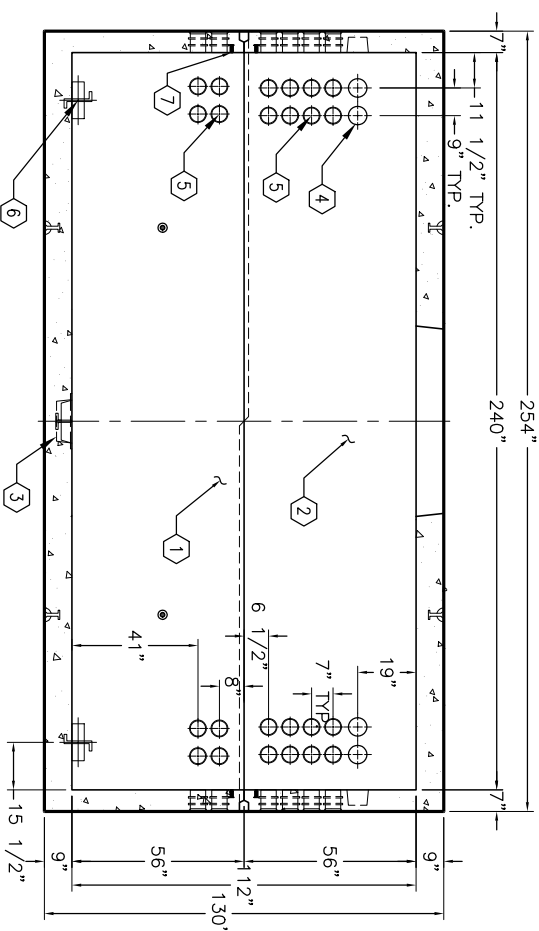
SECTION A-A



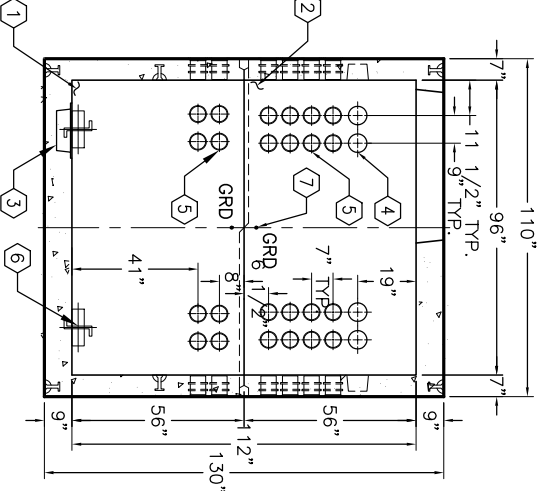
SECTION B-B



PLAN VIEW



SECTION C-C



SECTION D-D



K820-FV12-10

#	DATE	DESCRIPTION	BY

PER S.D.G. & E. SPEC. 3326

03-01-02