

7'-0" x 10'-6" I/D "SWITCH" PAD W/5'-0" x 8'-6" ENCLOSURE x 7'-0" DEEP

NOTES:

■ CONCRETE IS DESIGNED FOR HS 20-44 TRAFFIC LOADING USING 5,500 PSI [37.92MPa] COMPRESSIVE STRENGTH CONCRETE AND 60,000 PSI [413.2MPa] REINFORCING STEEL PER CALCS. #30603.

■ COVER DESIGNED FOR PARKWAY LOADING.

■ PULL BOX TO BE PLACED ON A MINIMUM 6" BASE OF CRUSHER RUN FOR EASE OF INSTALLATION AND EVEN LOAD DISTRIBUTION.

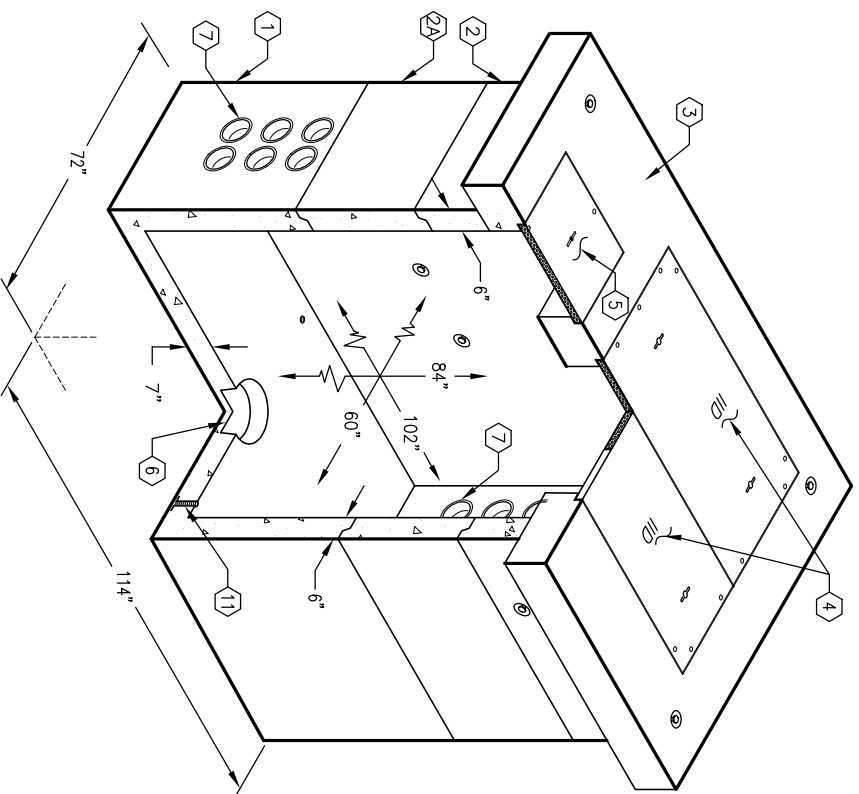
1. PB586-B48-25, 48" BOTTOM SECTION, WT. 13,688 Lbs.
2. PB586-R24-10, 24" EXTENSION SECTION, WT. 4,350 Lbs.
- 2A. PB586-R12-25, 12" RING SECTION FLAT/GROOVE, WT. 4,350 Lbs. PD84126-T8-25, 8" TRANSFORMER PAD, WITH 61" x 50" GALV. STEEL FRAME (F586-PB-IID), AND 24 1/8" x 36" GALV. STEEL FRAME (F2436-PB-ANG), WT. 5,009 Lbs.
4. 26 3/16" x 64 5/8" RPM PARKWAY COVER (12-20-52), (2) REQ'D. 'IID', W/ (2) EA. DROP HANDLES AND W/2" x 2" x 1/4" REMOVABLE "T" BEAM X 64 1/4" LONG (SCB586-RPM) (1) REQ'D.
5. 27 1/2" x 39 1/2" RPM PARKWAY COVER (12-20-14), 'IID', 12" x 13" DIA. SUMP KNOCKOUT.
6. LOCATE AS FOLLOWS: BOTTOM SECTION (1) CORE MTD.
7. 6" DIA. CONTERM (6625G). LOCATE AS FOLLOWS: BOTTOM SECTION (24) SHELL MTD.
9. 1" DIA. GROUND HOLE. LOCATE AS FOLLOWS: BOTTOM SECTION (2) CORE MTD.
10. 7/8" DIA. x 3 3/8" GALV. PULL IRON. LOCATE AS FOLLOWS: BOTTOM SECTION (4) CORE MTD.
11. 1" GALV. COIL THRD. INSERT. LOCATE AS FOLLOWS: BOTTOM SECTION (2) CORE MTD.
16. 1/2" INSERT (P-35-1). LOCATE AS FOLLOWS: 61" x 50" GALV. FRAME (8) REQ'D.

ORDERING INFORMATION:

K586-SB84-25 FOR ASSEMBLY AS SHOWN.
TOTAL WEIGHT OF ASSEMBLY IS 27,925 LBS.

GENERAL NOTES:

1. Minimum soil bearing capacity is hereby assumed to be 2000 PSF unless otherwise documented by a geotechnical report that shall be provided to Jensen Precast by the end user. Jensen Precast shall not be held responsible for the soil bearing capacity. Installation of Manholes, Vaults, Handholes, Meter Boxes etc. will be as per Jensen installation procedures.
3. Structural modification to the Jensen line of products is not permitted without prior written approval from Jensen Engineering Department.
4. Do not scale the drawings, verify all dimensions including rough openings, if any discrepancies are found, notify the Jensen Engineer immediately.
5. The Jensen Engineer will interpret the intent of the drawings in case of possible conflict or discrepancy.
6. Permissible Variations: Dimensional Tolerances – The length, width, height, or dia. measurements of the structure when measured on the inside surfaces shall not deviate from design dimensions by more than the following:
Dimensions: Tolerance:
0 to 5 Feet 1/4"
5 to 10 Feet 3/8"
10 to 20 Feet as agreed upon between the supplier and purchaser.
7. Squariness Tolerance: The inside of the precast concrete component shall be square as determined by diagonal measurements. The difference between such measurements shall not exceed the following:
Measured Length: Allowable Difference
0 to 10 Feet 1/2"
10 to 20 Feet 3/4"
between the supplier and purchaser.

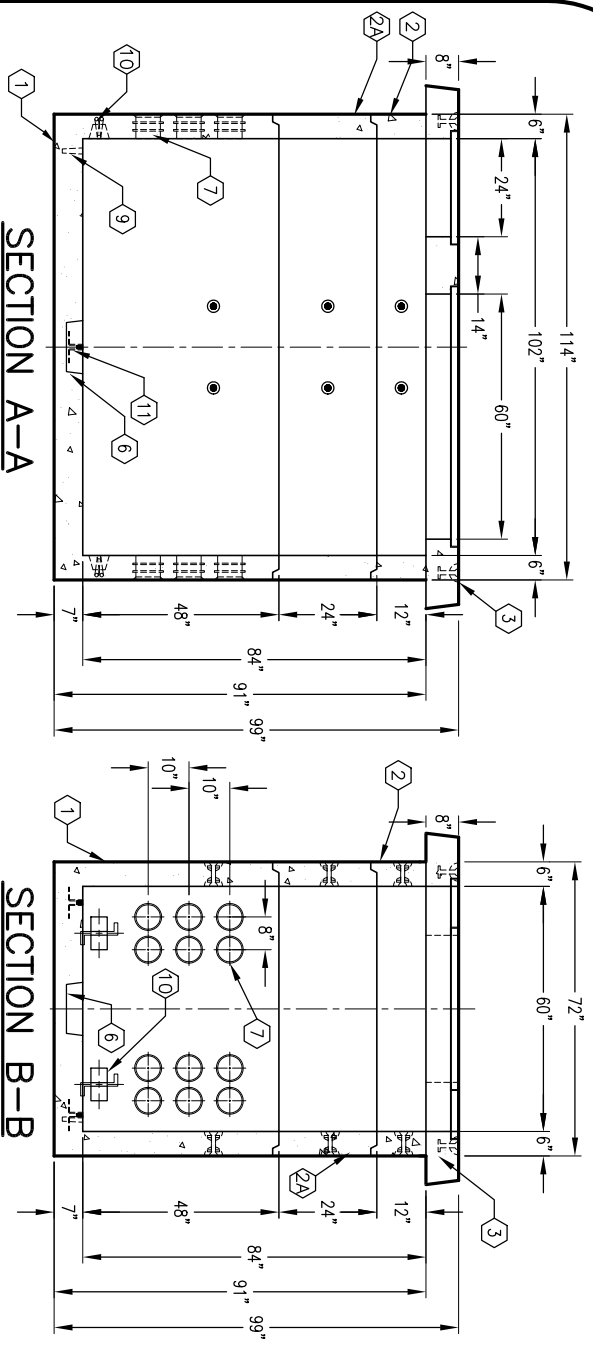


MINIMUM EXCAVATION SIZE:
7'-0" x 10'-6" x DEPTH REQ'D.

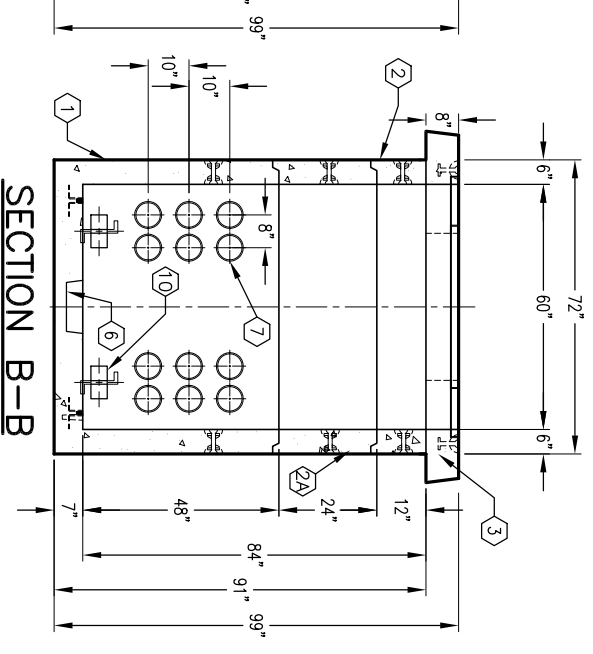
K586-SB84-25



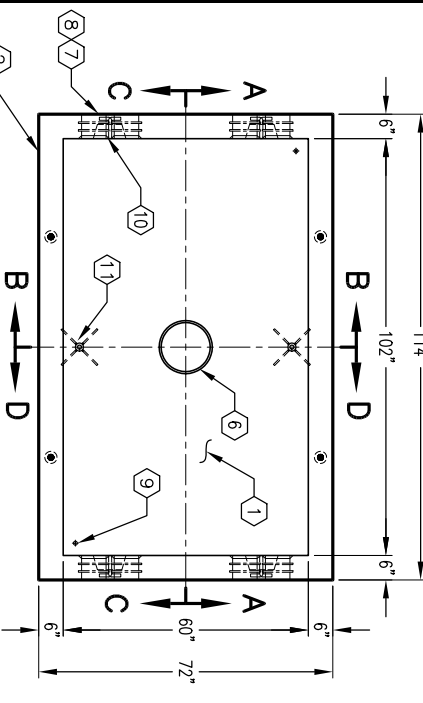
SECTION A-A



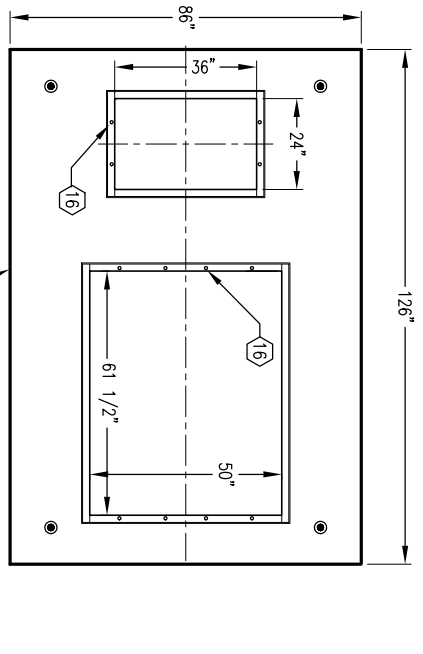
SECTION B-B



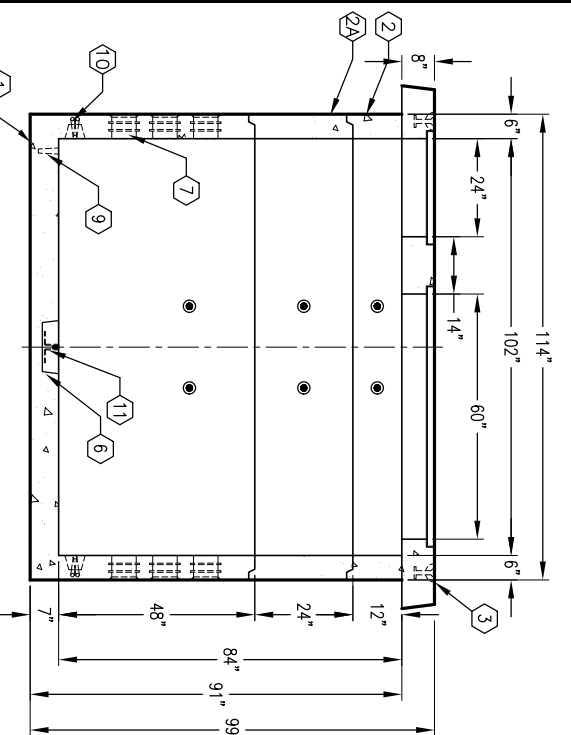
PLAN VIEW OF VAULT



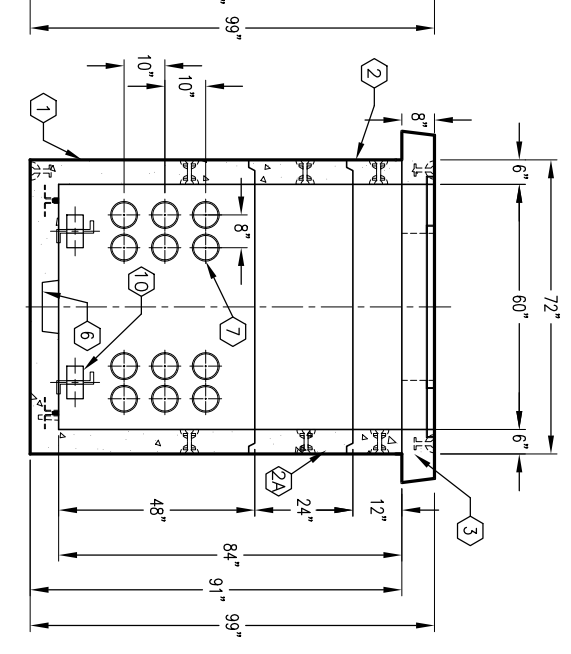
PLAN VIEW OF TRANS. PAD



SECTION C-C



SECTION D-D



K586-SB84-25

#	DATE	DESCRIPTION	BY