

6'-0" x 9'-6" IID 15KV SWITCH PAD W/5'-0" x 8'-6" ENCLOSURE x 7'-0" DEEP

NOTES:

■ CONCRETE IS DESIGNED FOR HS 20-44 TRAFFIC LOADING USING 5,500 PSI [37.92MPa] COMPRESSIVE STRENGTH CONCRETE AND 60,000 PSI [413.2MPa] REINFORCING STEEL PER CALCS. #30603.

■ COVER DESIGNED FOR PARKWAY LOADING.

■ PULL BOX TO BE PLACED ON A MINIMUM 6" BASE OF CRUSHER RUN FOR EASE OF INSTALLATION AND EVEN LOAD DISTRIBUTION.

THE FOLLOWING MATERIALS TO BE SHIPPED WITH PULL BOX:

(a) 5/8" DIA. x 96" COPPER WELD GROUND ROD. (2 REQ'D).

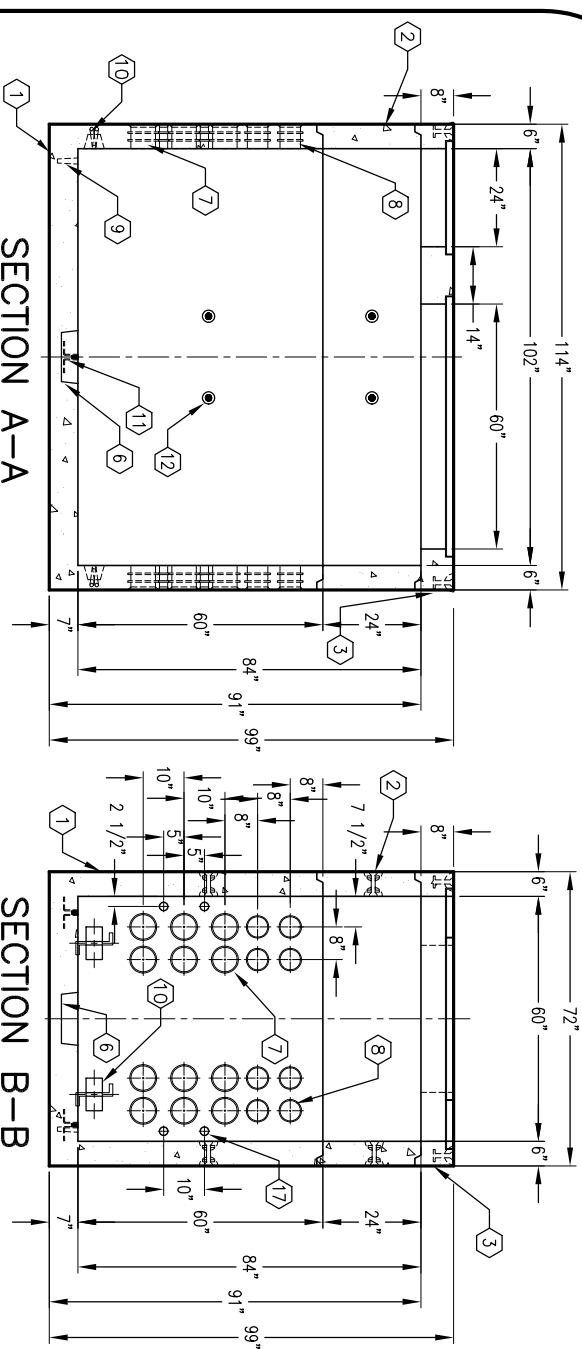
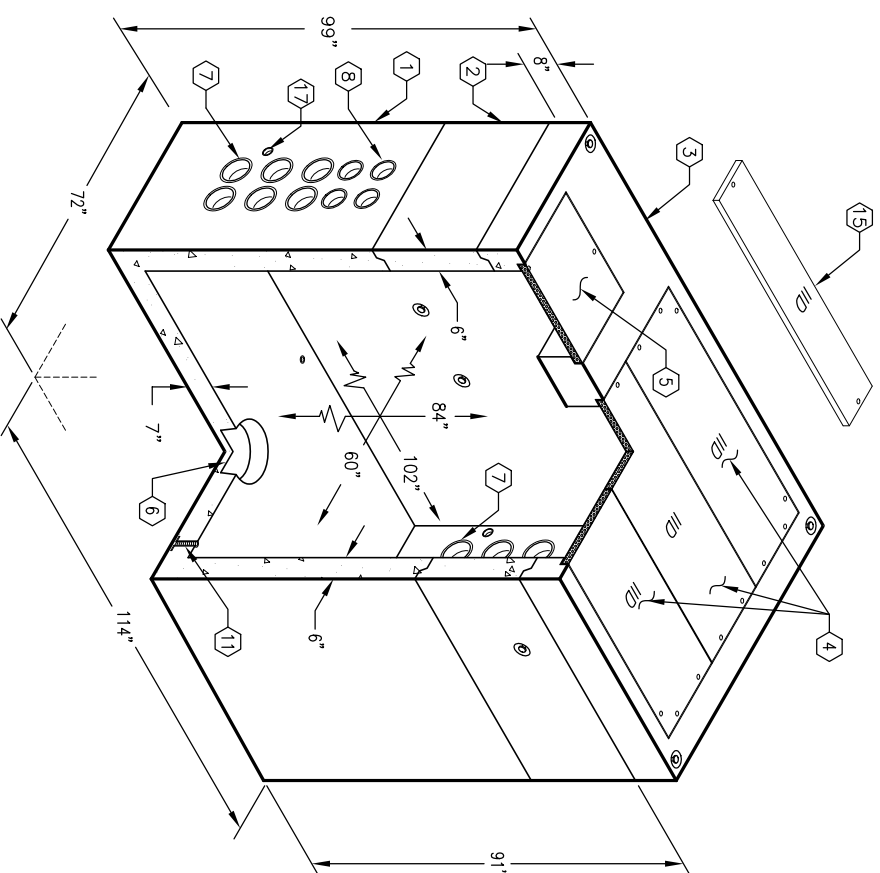
ORDERING INFORMATION:

K586-SB84-25 FOR ASSEMBLY AS SHOWN.
TOTAL WEIGHT OF ASSEMBLY IS 27,925 LBS.

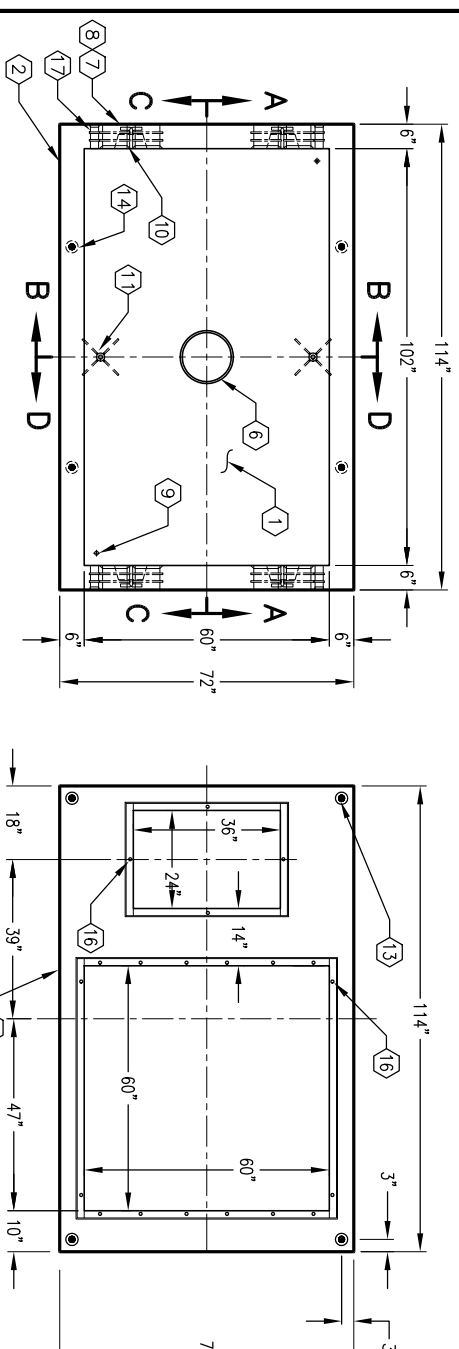
GENERAL NOTES:

1. Minimum soil bearing capacity is hereby assumed to be 2000 PSF unless otherwise documented by a geotechnical report that shall be provided to Jensen Precast by the end user. Jensen Precast shall not be held responsible for the soil bearing capacity. Installation of Manholes, Vaults, Handholes, Meter Boxes etc. will be as per Jensen installation procedures.
2. Structural modification to the Jensen line of products is not permitted without prior written approval from Jensen Engineering Department.
3. Do not scale the drawings, verify all dimensions including rough openings, if any discrepancies are found, notify the Jensen Engineer immediately.
4. The Jensen Engineer will interpret the intent of the drawings in case of possible conflict or discrepancy.
5. **Permissible Variations:** Dimensional Tolerances – The length, width, height, or dia. measurements of the structure when measured on the inside surfaces shall not deviate from design dimensions by more than the following:
Dimensions: Tolerance:
0 to 5 Feet 1/4"
5 to 10 Feet 3/8"
10 to 20 Feet as agreed upon between the supplier and purchaser.
6. **Squareness Tolerance:** The inside of the precast concrete component shall be square as determined by diagonal measurements. The difference between such measurements shall not exceed the following:
Measured Length: Allowable Difference
0 to 10 Feet 1/2"
10 to 20 Feet 3/4"
20 Feet and over as agreed upon between the supplier and purchaser.
- 7.

1. PB586-B60-25, 60" BOTTOM SECTION, WT. 15,150 Lbs.
2. PB586-R24-10, 24" EXTENSION SECTION, WT. 4,350 Lbs.
3. PD72114-T6-25, 8" TRANSFORMER PAD, WITH 60" x 60" GALV. STEEL FRAME (F586-PB-IID), AND 24" x 36" GALV. STEEL FRAME (F2436-PB-ANG), WT. 5,100 Lbs.
4. 20 3/4" x 63" RPM PARKWAY COVER (12-20-S2), (3) REQ'D. IID' W/2" x 2" x 1/4" REMOVABLE "T" BEAM X 61 3/4" LONG (SCB586-RPM) (2) REQ'D.
5. 2436 RPM PARKWAY COVER (12-20-14), 'IID' 12" x 13" DIA. SUMP x 4" DEEP, WITH COVER (08-2102) LOCATE AS FOLLOWS: BOTTOM SECTION (1) CORE MTD.
6. 6" DIA. CONTERM. LOCATE AS FOLLOWS: BOTTOM SECTION (24) SHELL MTD.
7. 5" DIA. CONTERM (5563G). LOCATE AS FOLLOWS: BOTTOM SECTION (16) SHELL MTD.
8. 1" DIA. GROUND HOLE. LOCATE AS FOLLOWS: BOTTOM SECTION (2) CORE MTD.
9. 7/8" DIA. x 3 3/8" GALV. PULL IRON. LOCATE AS FOLLOWS: BOTTOM SECTION (4) CORE MTD.
10. 1" GALV. COIL THRD. INSERT. LOCATE AS FOLLOWS: BOTTOM SECTION (2) CORE MTD.
11. 11" x 63 1/2" RPM PARKWAY COVER. OPTIONAL PLACEMENT ANY SIDE.
12. 1/2" INSERT (P-35-T). LOCATE AS FOLLOWS: 60" x 60" GALV. FRAME (16) REQ'D. 28" x 40" GALV. FRAME (4) REQ'D. W/CLEANOUTS.
13. 2" DIA. CONTERM. LOCATE AS FOLLOWS: BOTTOM SECTION (8) SHELL MTD.



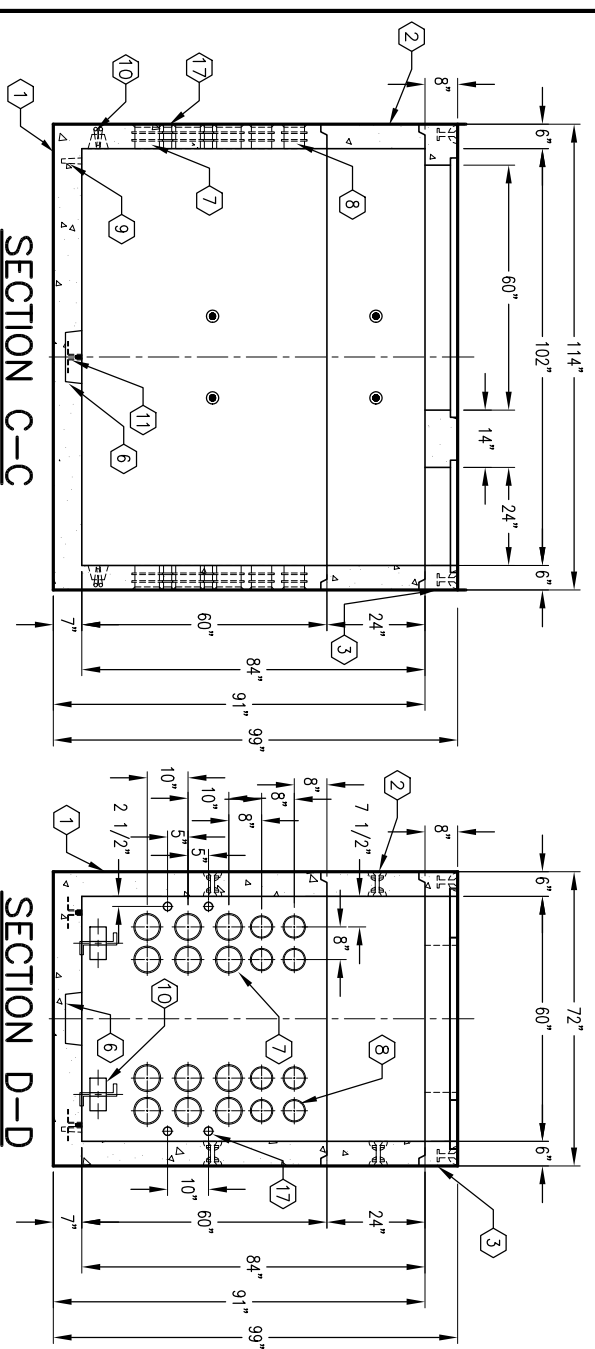
SECTION A-A



SECTION B-B

PLAN VIEW OF VAULT

PLAN VIEW OF TRANS. PAD



SECTION C-C

SECTION D-D

MINIMUM EXCAVATION SIZE:
7'-0" x 10'-6" x DEPTH REQ'D.



K586-TPV84-25

AUTOCAD REL. 14

IMPERIAL IRRIGATION DISTRICT

03-01-02



K586-TPV84-25

| # | DATE | DESCRIPTION | BY |
|---|------|-------------|----|
| | | | |

IMPERIAL IRRIGATION DISTRICT

03-01-02