

NOTES:

- CONCRETE DESIGNED IN ACCORDANCE WITH ASHTO H-20-44 TRAFFIC LOADING USING 5,500 PSI [37.92 MPa] COMPRESSIVE STRENGTH CONCRETE AND 60,000 PSI [413.2 MPa] YIELD STRENGTH ASTM A-706 STEEL REINFORCEMENT PER CALCS. #30428.

- COVER DESIGNED FOR TRAFFIC LOADING PER CALCS. #30466.

- PULL BOX TO BE PLACED ON A MIN. 6" BASE OF CRUSHER RUN FOR EASE OF INSTALLATION AND EVEN LOAD DISTRIBUTION.

ORDERING INFORMATION:

K3672-DP60-25T FOR ASSEMBLY AS SHOWN. PER IMPERIAL IRRIGATION DIST. SPEC. TOTAL WEIGHT OF ASSEMBLY IS 6,787 Lbs.

THE FOLLOWING MATERIALS TO BE SHIPPED WITH PULL BOX:

- (o) 5/8" DIA. x 96" COPPER WELD GROUND ROD. (2 REQ'D.).

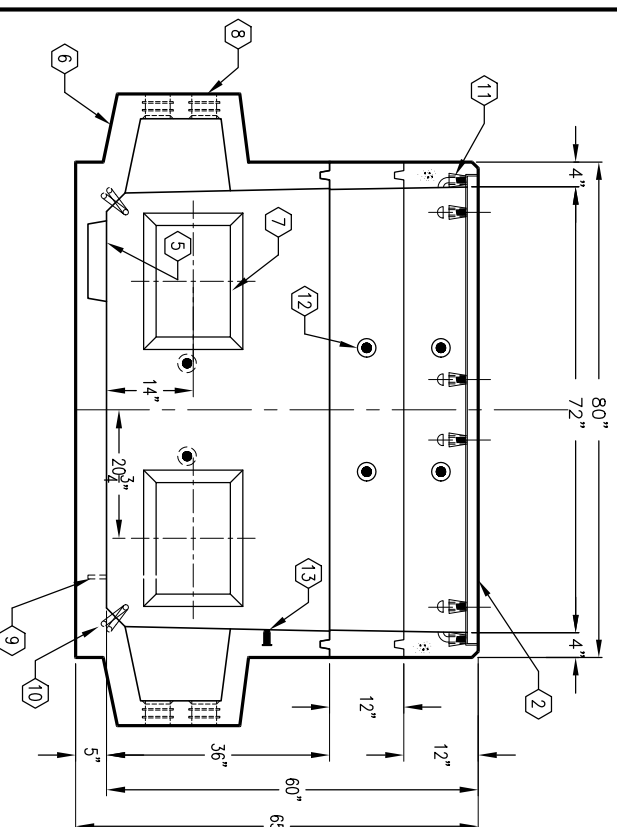
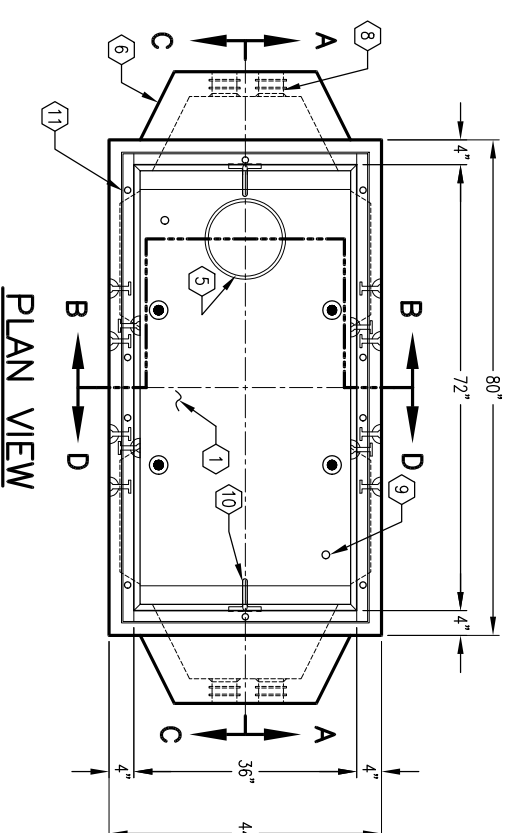
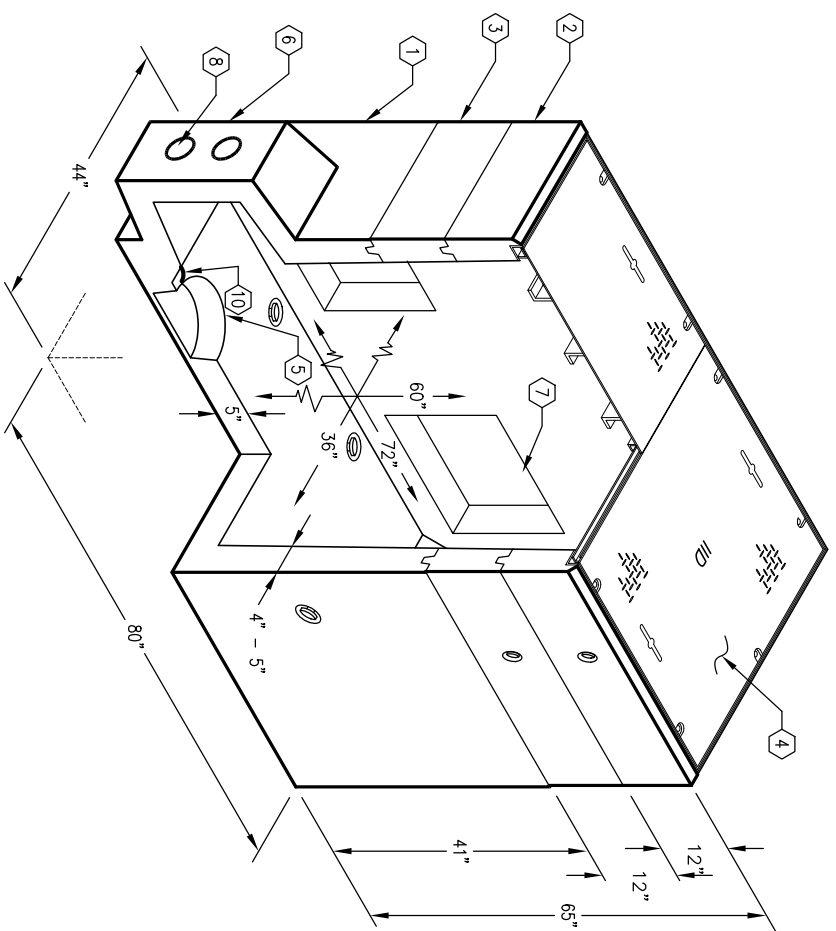
1. PB3672-B36-10, 36" BOTTOM SECTION, WT. 4,415 Lbs.
2. PB3672-T12-10, 12" TOP SECTION, W/GALV. ANGLE FRAME PER (F3672-PB-ANG) CAST-IN, WT. 970 Lbs.
3. PB3672-R12, 12" EXTENSION SECTION, WT. 970 Lbs.
4. SC3672-TBK, TWO PIECE BLACK STEEL TRAFFIC COVER, MARK "ID", WT. 495#. 12" x 13" DIA. SUMP x 3" DEEP. LOCATE AS FOLLOWS: BOTTOM SECTION (1) CORE MTD.
5. 14" x 18" DUCTED K.O. x 12" DEEP. DRAFT AS FOLLOWS: T=1 1/2", S1=S2=6", B=1 1/2". LOCATE AS FOLLOWS: BOTTOM SECTION (2) CORE MTD.
6. 12" x 18" K.O. x 3 1/4" DEEP. DRAFT AS FOLLOWS: 2" TYP. ALL SIDES. LOCATE AS FOLLOWS: BOTTOM SECTION (4) CORE MTD.
7. 4" DIA. CONTERM (4.50" I.D.). LOCATE AS FOLLOWS: BOTTOM SECTION (8) SHELL MTD.
8. 1" DIA. BLIND GROUND ROD HOLE. LOCATE AS FOLLOWS: BOTTOM SECTION (2) CORE MTD.
9. 7/8" x 6" GALV. PULL IRON. LOCATE AS FOLLOWS: BOTTOM SECTION (2) CORE MTD.
10. 1/2" P-35-T THRU INSERT W/CLEAN-OUT HOLE. LOCATE AS FOLLOWS: TOP SECTION (10) FRAME MTD.
11. 1/2" DIA. BRONZE GROUND. BOTTOM SECTION (2) CORE MTD.

GENERAL NOTES:

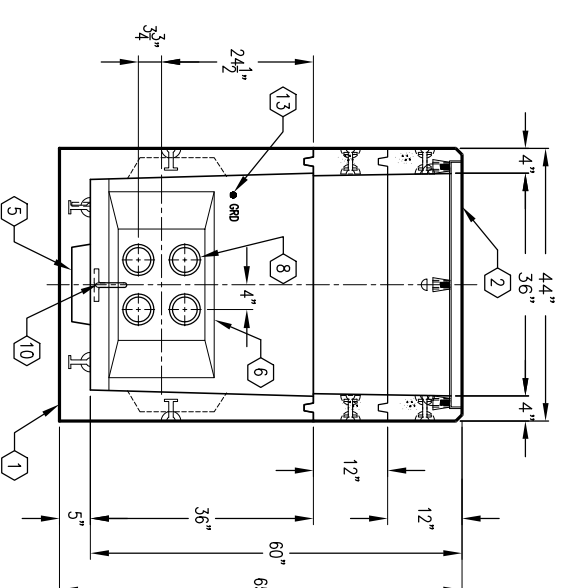
1. Minimum soil bearing capacity is hereby assumed to be 2000 PSF unless otherwise documented by a geotechnical report that shall be provided to Jensen Precast by the end user. Jensen Precast shall not be held responsible for the soil bearing capacity.
2. Installation of Manholes, Vaults, Handholes, Meter Boxes, etc. will be as per Jensen installation procedures.
3. Structural modification to the Jensen line of products is not permitted without prior written approval from Jensen Engineering Department.
4. Do not scale the drawings. verify all dimensions including rough openings, if any discrepancies are found, notify the Jensen Engineer immediately.
5. The Jensen Engineer will interpret the intent of the drawings in case of possible conflict or discrepancy.
6. Permissible Variations:
  - Dimensional Tolerances - The length, width, height, or dia. measurements of the structure when measured on the inside surfaces shall not deviate from design dimensions by more than the following:
 

Dimensions:	Tolerance:
0 to 5 Feet	1/4"
5 to 10 Feet	3/8"
10 to 20 Feet as agreed upon between the supplier and purchaser.	
  - Squareness Tolerance: he inside of the precast concrete component shall be square as determined by diagonal measurements. The difference between such measurements shall not exceed the following:
 

Measured Length:	Allowable Difference
0 to 10 Feet	1/2"
10 to 20 Feet	3/4"
7. 20 Feet and over as agreed upon between the supplier and purchaser.



SECTION A-A/C-C



SECTION B-B/D-D