

6'-0" x 8'-0" DUCTED VAULT x 9'-4" DEEP

NOTES:

- VAULT DESIGNED IN ACCORDANCE WITH ASHTO H-20-44 RAMP BRIDGE LOADING USING 5,500 PSI 13792MPa COMPRESSIVE STRENGTH CONCRETE 60,000 PSI (4232MPa) TENSILE STRENGTH ASTM A-706 STEEL REINFORCEMENT PER CALCS. #S1566.
- VAULT TO BE PLACED ON A 6" BASE OF CRUSHER RUN FOR EASE OF INSTALLATION AND EVEN LOAD DISTRIBUTION.
- LIMITS OF COVER OVER ROOF SECTION IS 1'-6" TO 4'-0".
- CONCRETE MIX USED IN POURING THIS PRODUCT SHALL USE FLY ASH AS AN ADMIXTURE.
- EACH CONCRETE SECTION SHALL BE MARKED ON THE INSIDE & OUTSIDE WITH "JENSEN PRECAST" THE DESIGNATION "DMF/FA", AND THE DATE OF POUR.
- EACH CONCRETE SECTION SHALL HAVE CAST-IN ON THE INSIDE "JENSEN", THE YEAR, AND THE DESIGNATION "FA".
- NO SHARP OR ROUGH EDGES ON THE TERMINATORS ENTERING THE VAULT.
- NO TRENCHES OR EXCAVATIONS 5' OR MORE IN DEPTH INTO WHICH A PERSON IS REQUIRED TO DESCEND, OR OBTAIN NECESSARY PERMIT FROM THE STATE OF CALIFORNIA, DIVISION OF INDUSTRIAL SAFETY PRIOR TO THE ISSUANCE OF A BUILDING OR GRADING PERMIT.

THE FOLLOWING MATERIAL TO BE SHIPPED WITH VAULT:

- (a) 7/8" x 1 3/4" CONSOLE GASKET (45 FT. REQUIRED).
- (b) LADDER HANGER ASSEMBLY (1 REQUIRED).
- (c) 1-3382 LADDER 12' (1 REQUIRED).

ORDERING INFORMATION

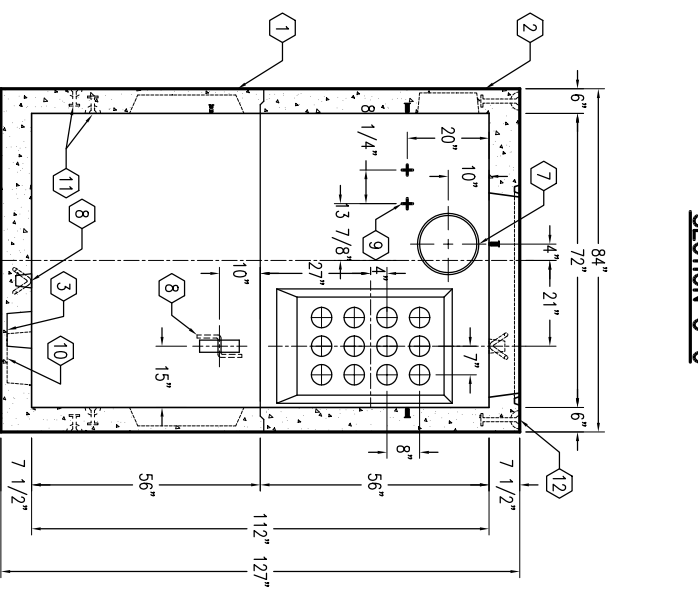
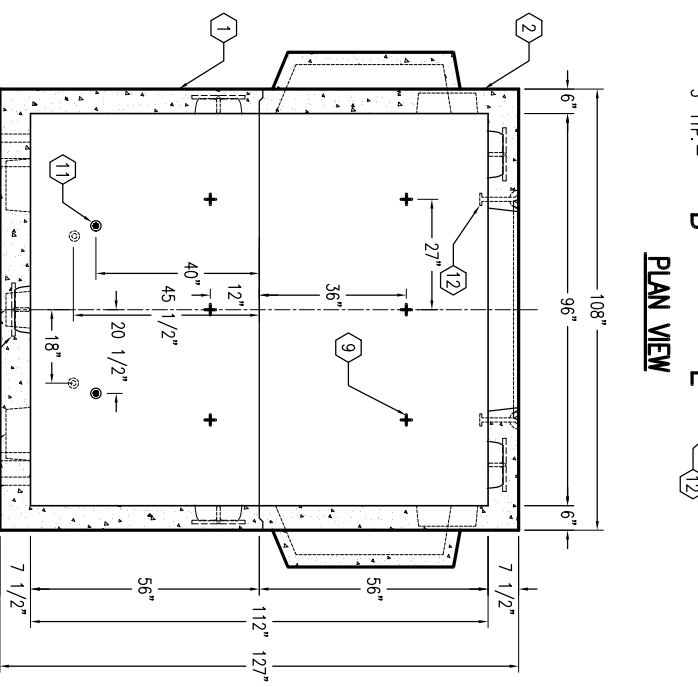
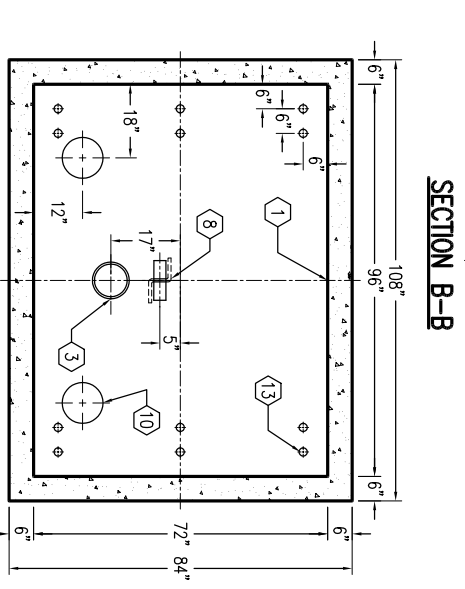
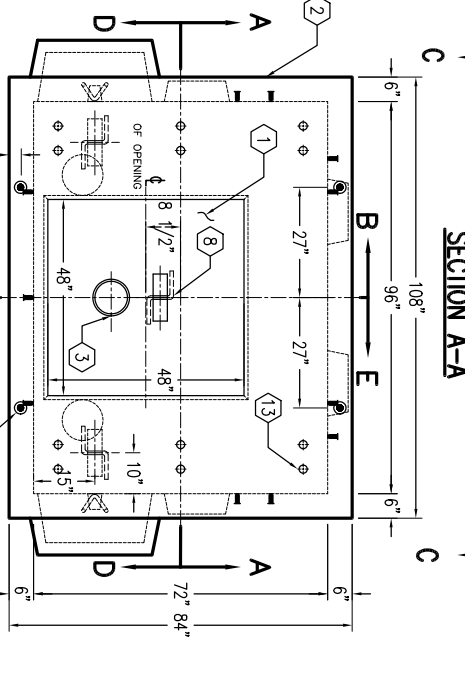
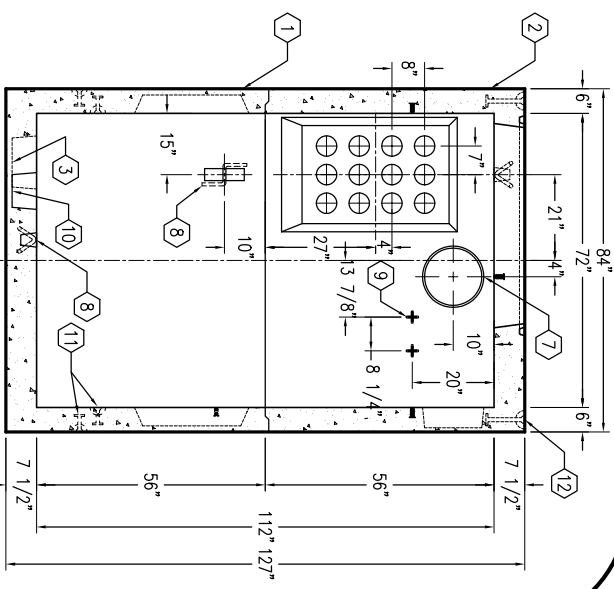
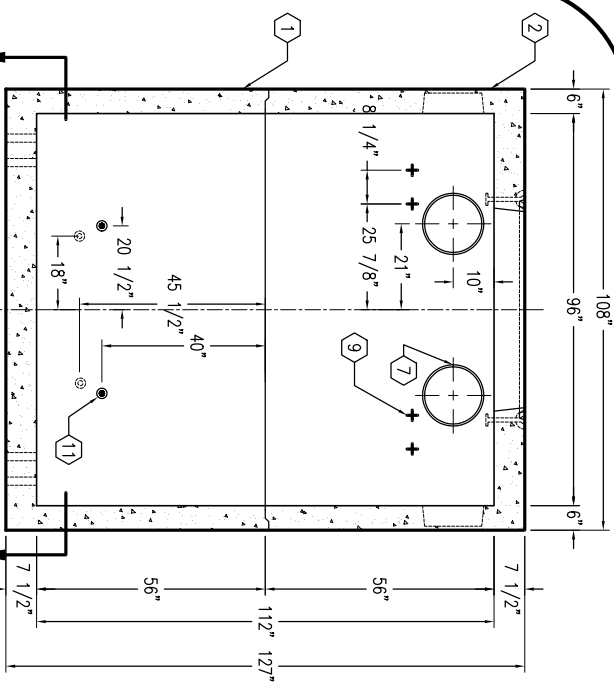
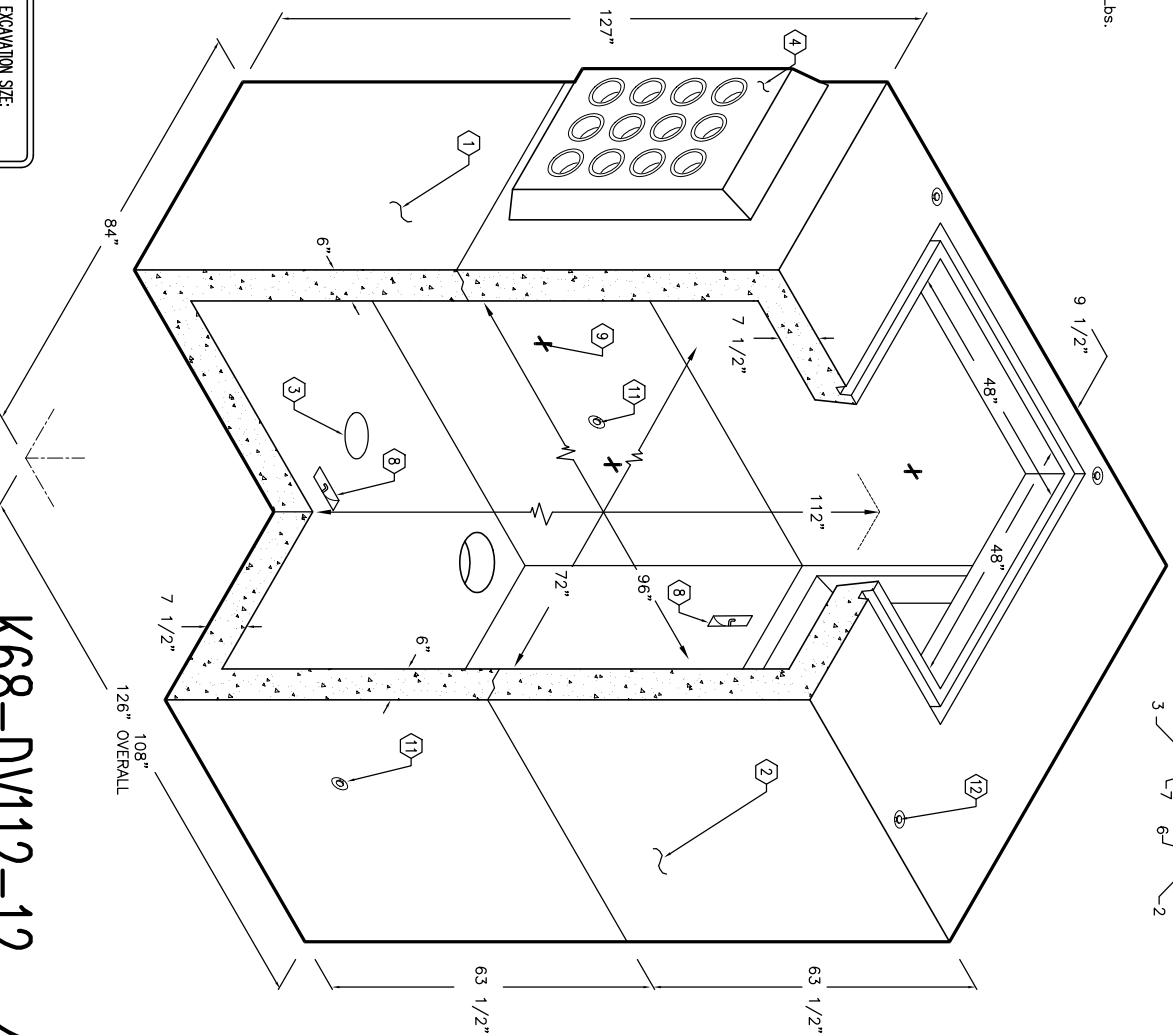
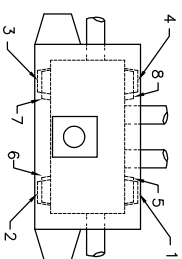
K68-DV112-12. FOR ASSEMBLY AS SHOWN.
 APPROVED FOR LADWP SPEC. G-284 G-3, R25
 TOTAL WEIGHT OF ASSEMBLY SHOWN IS 29,053 Lbs.

GENERAL NOTES:

1. Minimum soil bearing capacity is hereby assumed to be 2000 PSF unless otherwise documented by a geotechnical report that shall be provided to Jensen Precast by the end user. Jensen Precast shall not be held responsible for the soil bearing capacity.
2. Installation of Manholes, Vaults, Handholes, Meter Boxes, etc. will be as per Jensen installation procedures.
3. Structural modification to the Jensen line of products is not permitted without prior written approval from Jensen Engineering Department.
4. Do not scale the drawings, verify all dimensions including rough openings, if any discrepancies are found, notify the Jensen Engineer immediately.
5. The Jensen Engineer will interpret the merit of the drawings in case of possible conflict or discrepancy.
6. Permissible Variations:
 Dimensional Tolerances – The length, width, height, or dia. measurements of the structure when measured on the inside surfaces shall not deviate form design dimensions by more than the following:
 Dimensions: Tolerance:
 0 to 5 Feet 1/4"
 5 to 10 Feet 3/8"
 10 to 20 Feet as agreed upon between the supplier and purchaser.
 Squariness Tolerance:
 The inside of the precast concrete component shall be square as determined by diagonal measurements. The difference between such measurements shall not exceed the following:
 Measured Length: Allowable Difference
 0 to 10 Feet 1/2"
 10 to 20 Feet and over as agreed upon between the supplier and purchaser. 3/4"
- 7.

1. UV68-B56-12, 56" BOTTOM SECTION (868-B56-12) WT. 15 888 lbs.
2. UV68-T56-12, 56" TOP SECTION (868-T56-12) WT. 13,165 lbs.
3. 8" DIA. x 9 1/2" DIA. x 6" DEEP. LOCATE AS FOLLOWS:
 BOTTOM SECTION (1) CORE MTD.
 24" x 36" DUCTED KNOCKOUT 12" DEEP W/5" DIA. TERMS (55-30-52).
 DRAF X AS FOLLOWS: S1=2', S2=2', B=5'. LOCATE AS FOLLOWS:
 ROOF SECTION (2) CORE MTD.
 14" DIA. SECTION (2) CORE MTD.
 14" DIA. VENT KNOCKOUT x 5" DEEP. LOCATE AS FOLLOWS:
 ROOF SECTION (4) CORE MTD.
 7/8" DIA. x 4 1/2" GALVANIZED PULL IRON WITH LEGS (SPI-451A) LOCATE AS FOLLOWS: BOTTOM SECTION (3) CORE MTD.; ROOF SECTION (2) CORE MTD.
 1 1/2" PLASTIC INSERT (S5-10-424). LOCATE AS FOLLOWS: BOTTOM SECTION (3) CORE MTD.; ROOF SECTION (11) CORE MTD.
 12" DIA. KNOCKOUT. LOCATE AS FOLLOWS: BOTTOM SECTION (2) CORE MTD. @ 4 TON x 4 3/4" GALVANIZED RISS (S5-20-404) FOR HANDLING. LOCATE AS FOLLOWS: BOTTOM SECTION (4) CORE MTD.; (4) SHELL MTD.
 @ 4 TON x 9 1/2" GALVANIZED RISS (S5-20-409) FOR HANDLING. LOCATE AS FOLLOWS: ROOF SECTION (4) SURFACE MTD.
 2" DIA. TERMS (55-30-20) FOR GROUND ROD. LOCATE AS FOLLOWS: BOTTOM SECTION (12) CORE MTD.
- 4.
- 5.
- 6.
- 7.
- 8.
- 9.
- 10.
- 11.
- 12.
- 13.

KNOCKOUT ORDERING DIAGRAM
 WHEN ORDERING, SPECIFY DESIRED DUCT AND VENT LOCATIONS PER DIAGRAM NOTATIONS. (OMIT K.O.'S SHOWN WHEN NOT ORDERED).



MINIMUM EXCAVATION SIZE:
 8'-0" x 11'-6" DEPTH REQD.

K68-DV112-12

#	DATE	DESCRIPTION	BY
1	02-07-00	MOVED VENT OPENGS. REMOVED OPTIONAL K.O.S.	SJG
K	10-11-99	NEW PART NO.	DRC

K68-DV112-12