

# 8'-0" x 9'-4" PASADENA TUNNEL VAULT x VARIABLE LENGTH 14', 18', 22', 30', 36', 48'

**NOTES:**

VAULT DESIGNED IN ACCORDANCE WITH ASHTO H-20-44 TRAFFIC BRIDGE LOADING USING 5,500 PSI COMPRESSIVE STRENGTH CONCRETE AND 60,000 PSI YIELD STRENGTH ASTM A-706 STEEL REINFORCEMENT PER CALCS. #50344.

VAULT TO BE PLACED ON A MIN. 6" BASE OF CRUSHER RUN FOR EASE OF INSTALLATION AND EVEN LOAD DISTRIBUTION.

ALL WALLS AND CEILINGS SHALL BE PAINTED WHITE.

**ORDERING INFORMATION:**

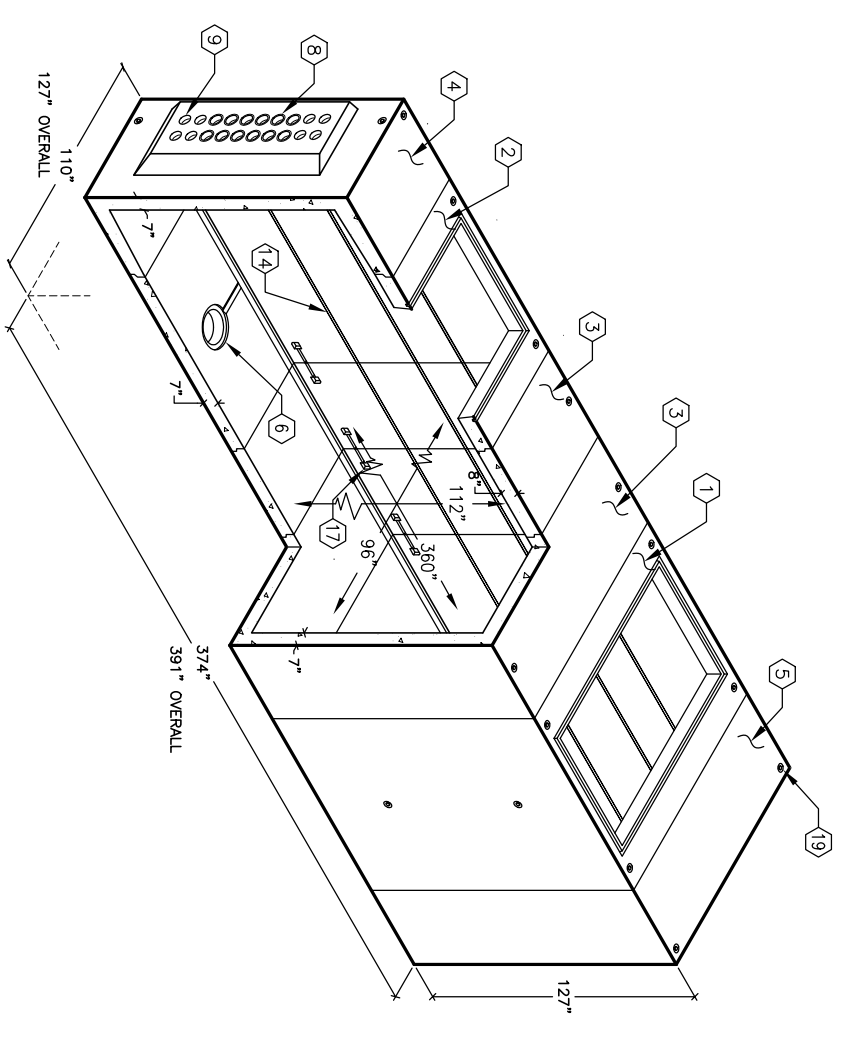
- K894-TV14-20258, 14' ASSEMBLY W/ 2 (2) DUCT ENDS.
- K894-TV14-20458, 14' ASSEMBLY W/ 2 (4) DUCT ENDS.
- K894-TV14-2058, 14' ASSEMBLY W/ 1 (2) DUCT END & 1 (4) DUCT END.
- K894-TV18-20458, 18' ASSEMBLY W/ 2 (2) DUCT ENDS.
- K894-TV22-20258, 22' ASSEMBLY W/ 2 (2) DUCT ENDS.
- K894-TV22-20458, 22' ASSEMBLY W/ 2 (4) DUCT ENDS.
- K894-TV22-20458-2, 22' ASSEMBLY W/ 2 (4) DUCT ENDS & 2 OPENINGS.
- K894-TV22-20458-2, 22' ASSEMBLY W/ 2 (4) DUCT ENDS & 2 OPENINGS.
- K894-TV22-20258-2, 22' ASSEMBLY W/ 1 (2) DUCT END & 1 (4) DUCT END & 2 OPENINGS.
- K894-TV30-20458-2, 30' ASSEMBLY W/ 2 (4) DUCT ENDS & 2 OPENINGS.
- K894-TV30-2058-2, 30' ASSEMBLY W/ 1 (2) DUCT END & 1 (4) DUCT END & 2 OPENINGS.
- K894-TV36-20458-2, 36' ASSEMBLY W/ 2 (4) DUCT ENDS & 2 OPENINGS.
- K894-TV48-20458-2, 48' ASSEMBLY W/ 2 (4) DUCT ENDS & 2 OPENINGS.

**TOTAL ASSEMBLY WEIGHTS:**

- 14' ASSEMBLY IS 59,438#
- 18' ASSEMBLY IS 86,158#
- 22' ASSEMBLY IS 86,158#
- 30' ASSEMBLY W/ 2 OPENINGS IS 83,876#
- 30' ASSEMBLY IS 130,598#
- 36' ASSEMBLY IS 130,598#
- 48' ASSEMBLY IS 144,159#

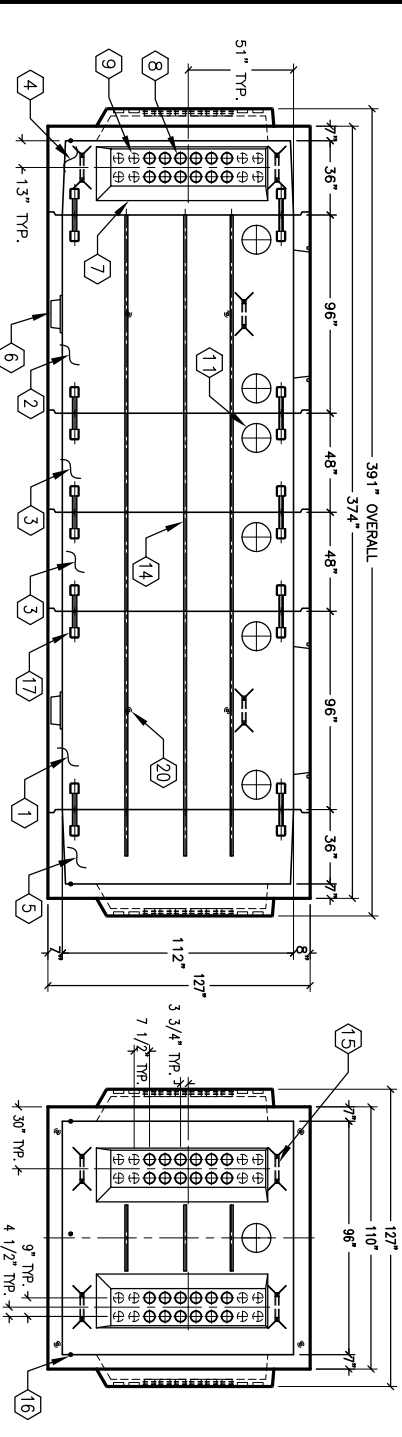
**EXCAVATION SIZES:**

- 14' ASSEMBLY IS 12'-6" x 18'-6" x DEPTH REQ'D.
- 18' ASSEMBLY IS 12'-6" x 22'-6" x DEPTH REQ'D.
- 22' ASSEMBLY IS 12'-6" x 26'-6" x DEPTH REQ'D.
- 30' ASSEMBLY IS 12'-6" x 34'-6" x DEPTH REQ'D.
- 36' ASSEMBLY IS 12'-6" x 40'-6" x DEPTH REQ'D.
- 48' ASSEMBLY IS 12'-6" x 52'-6" x DEPTH REQ'D.

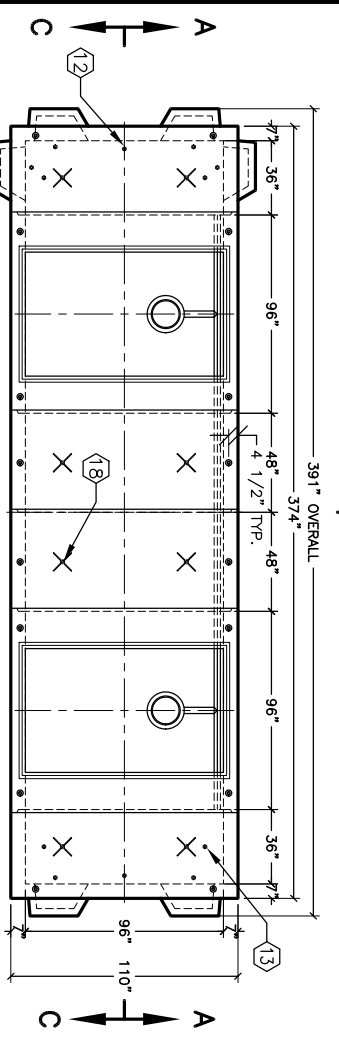


1. TV894-C96-2058, 96" CENTER SECTION, WT. 24,438#.
2. TV894-R96-20, 96" EXTENSION SECTION W/O OPENING, WT. 24,438#.
3. TV894-R48-20, 48" EXTENSION SECTION, WT. 13,360#.
4. TV894-E36-204, 36" END SECTION W/4 DUCTS, WT. 17,500#.
5. TV894-E36-202, 36" END SECTION W/2 DUCTS, WT. 17,500#.
6. 13" x 14" DIA. SUMP x 5 1/2" DEEP W/COVER.
7. 96" GEN. SECTION (1) CORE MTD.; 96" END SECTION (1) CORE MTD.
8. 18" x 7 1/2" DEEP DUCT K.O. x 12" DEEP. END-204 (4) CORE MTD. AS FOLLOWS: C=1", S1=1", S2=7", B=7".
9. 5" DIA. K.O. (12) CORE MTD. TO EA. DUCT K.O.s (ITEM 7).
10. 5" DIA. K.O. (2) DEEP. (8) REQ'D MTD. TO EA. DUCT K.O.s (ITEM 7).
11. 2" x 2 1/2" DIA. K.O. x 2" DEEP. (1) REQ'D. MTD TO EA. K.O.s (ITEM 7).
12. 14" DIA. VENT K.O. x 6" DEEP. 96" GEN. SECTION (4) CORE MTD.; 96" EXT. SECTION (4) CORE MTD.; 72" EXT. SECTION (4) CORE MTD.; 48" EXT. SECTION (2) CORE MTD. END SECTION (1) CORE MTD.
13. 5/8" COPPER CLAD GROUND ROD x 12" LONG, END SECTION (1) CORE MTD.
14. 1" DIA. BLIND GROUND ROD HOLE, END SECTION (3) EA. CORE MTD.
15. 1 5/8" x 1 5/8" GALV. UNSTRUT. 96" GEN. & END SECTION (6) 95 3/4" LONG CORE MTD.; 72" EXT. SECTION (6) 71 3/4" CORE MTD.; 48" EXT. SECTION (6) 46" CORE MTD.; END-204 (3) 32" LONG CORE MTD.; END-202 (3) 32" LONG CORE MTD.
16. 96" EXT. SECTION (1) CORE MTD.; 96" GEN. SECTION (1) CORE MTD.; 72" EXT. SECTION (1) CORE MTD.; END-204 SECTION (8) CORE MTD.; END-202 SECTION (4) CORE MTD.
17. 96" EXT. SECTION (1) CORE MTD.; 96" GEN. & EXT. SECTION (8) CORE MTD.; 72" EXT. SECTION (8) CORE MTD.; 48" EXT. SECTION (8) CORE MTD.; END SECTION (4) EA. CORE MTD.; 48" EXT. SECTION (2) CORE MTD.; END SECTION (2) EA. CORE MTD.

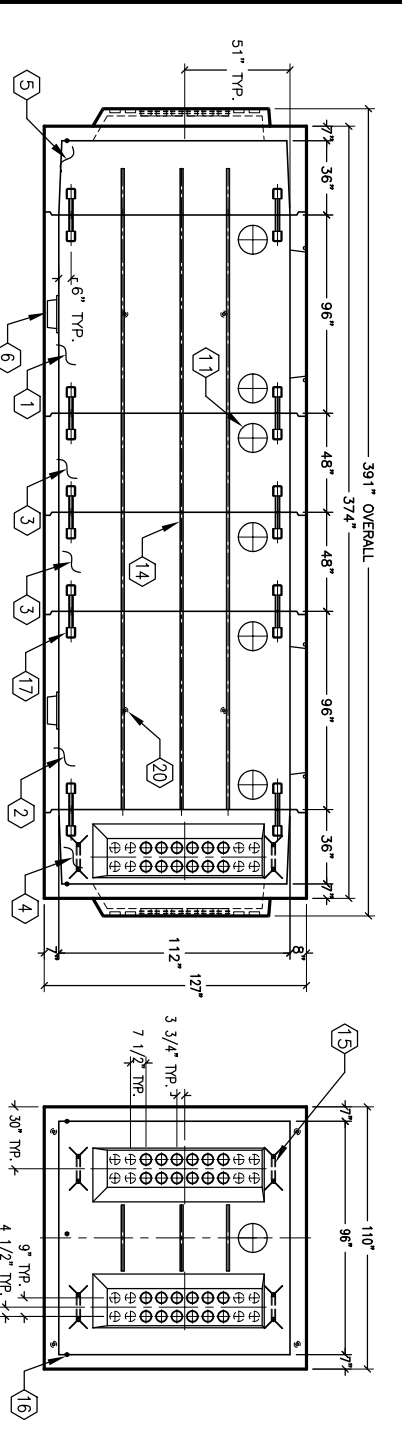
PART NUMBER	TUNNEL LENGTH														
	14'-0" 20	14'-0" 40	14'-0" 20-40	18'-0" 40	22'-0" 20	22'-0" 20	22'-0" 20 P/N	22'-0" 40	22'-0" 20 P/N	22'-0" 20 P/N	30'-0" 20 P/N	30'-0" 20 P/N	36'-0" 40	36'-0" 40	48'-0" 40
TV894-C96-2058	*	*	*	*	*	*	*	*	*	*	*	*	*	*	*
TV894-R96-20								*	*	*	*	*	*	*	*
TV894-R72-20													*	*	*
TV894-R48-20													*	*	*
TV894-E36-204													*	*	*
TV894-E36-202	**	**	*	*	**	**	**	**	**	**	**	**	*	*	**



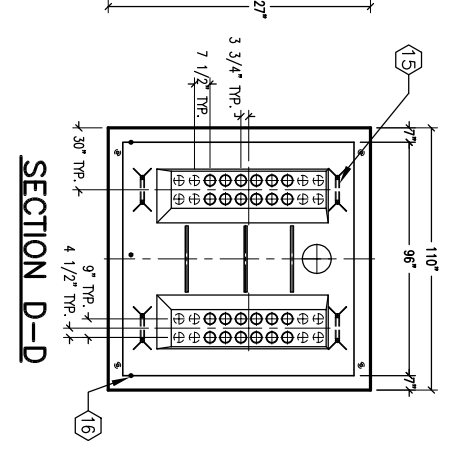
**SECTION A-A**



**SECTION B-B**



**SECTION C-C**



**SECTION D-D**



AUTOCAD REL. 14

**K894-TV-20**

PER PASADENA SPEC.

03-01-02



#	DATE	DESCRIPTION	BY

**K894-TV-20**

PER PASADENA SPEC.

03-01-02