

# 8'-0" x 14'-0" PASADENA TRANSMISSION VAULT x 9'-4" DEEP

**NOTES:**

VAULT DESIGNED IN ACCORDANCE WITH AASHTO HS 20-44 TRAFFIC BRIDGE LOADING USING 5,500 PSI [37.92 MPa] COMPRESSIVE STRENGTH CONCRETE AND 60,000 PSI [413.2 MPa] YIELD STRENGTH ASTM A-706 STEEL REINFORCEMENT PER CALCS. #S1008.

VAULT TO BE PLACED ON A MIN. 6" BASE OF CRUSHER RUN FOR EASE OF INSTALLATION AND EVEN LOAD DISTRIBUTION.

ALL INTERIOR SURFACES SHALL BE PAINTED WITH ONE COAT OF FLAT LATEX WHITE PAINT.

STRUCTURES TO BE STENCILED, "JENSEN PRECAST", WITH "DATE OF POUR" AND WITH WEIGHT.

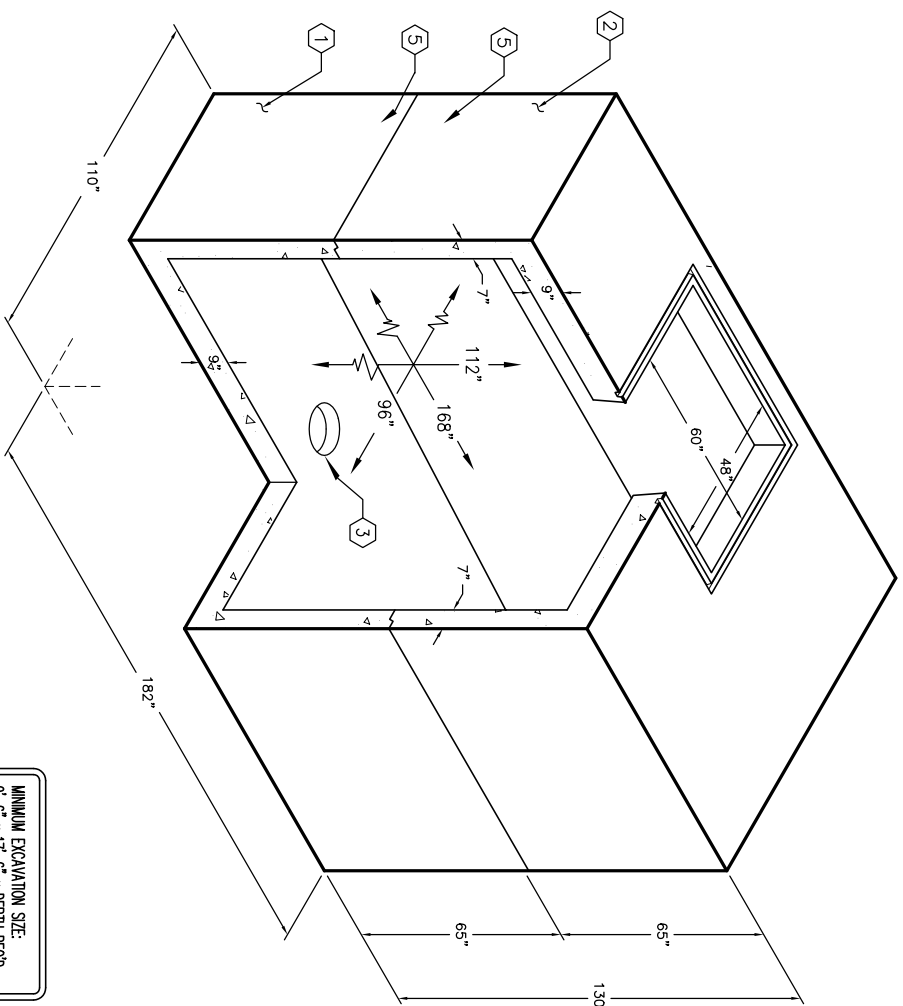
ON INTERIOR AND EXTERIOR.

**ORDERING INFORMATION:**  
 K814-TFV112-20 FOR ASSEMBLY AS SHOWN.  
 APPROVED FOR PASADENA POWER.  
 TOTAL WEIGHT OF ASSEMBLY SHOWN IS 66,599#.

1. UVR141-B56-201, 56" BOTTOM SECTION, WT. 34,560#.
2. UVR141-T56-201, 56" TOP SECTION, WT. 32,039#.
3. 12" x 13" DIA. SUMP x 5" DEEP. BOTTOM SECTION (1) CORE MTD.
4. 12" DIA. VENT KNOCKOUT, TOP SECTION (4) CORE MTD.
5. 6" DIA. TERMS, BOTTOM SECTION (8) SHELL MTD.; TOP SECTION (24) SHELL MTD.
- 5A. 3" DIA. TERMINATORS TOP SECTION (6) SHELL MTD.
6. 7/8" DIA. x 4 1/2" RECESSED PULL IRON, GALV. TOP SECTION (4) AND BOTTOM SECTION (4) CORE MTD.
7. 1/2" BRONZE GROUND INSERT WELDED TO REINF. W/PLASTIC PLUG. MARKED "GRD" IN RED.; BOTTOM SECTION (2) CORE MTD.; TOP SECTION (2) CORE MTD.
8. 1 5/8" x 1 5/8" GALV. UNISTRUT CAST-IN 12' LONG 6 PLACES.
9. 1" DIA. GROUND ROD KNOCKOUTS 2 PLACES.

**GENERAL NOTES:**

1. Minimum soil bearing capacity is hereby assumed to be 2000 PSF unless otherwise documented by a geotechnical report that shall be provided to Jensen Precast by the end user. Jensen Precast shall not be held responsible for the soil bearing capacity.
2. Installation of Manholes, Vaults, Handholes, Meter Boxes etc. will be as per Jensen Installation procedures.
3. Structural modification to the Jensen line of products is not permitted without prior written approval from Jensen Engineering Department.
4. Do not scale the drawings, verify all dimensions including rough openings, if any discrepancies are found, notify the Jensen Engineer immediately.
5. The Jensen Engineer will interpret the intent of the drawings in case of possible conflict or discrepancy.
6. Permissible Variations:  
 Dimensional Tolerances - The length, width, height, or dia. measurements of the structure when measured on the inside surfaces shall not deviate form design dimensions by more than the following:  
 Dimensions: Tolerance:  
 0 to 5 Feet 1/4"  
 5 to 10 Feet 3/8"  
 10 to 20 Feet as agreed upon between the supplier and purchaser.  
 Squariness Tolerance:  
 The inside of the precast concrete component shall be square as determined by diagonal measurements. The difference between such measurements shall not exceed the following:  
 Measured Length: Allowable Difference  
 0 to 10 Feet 1/2"  
 10 to 20 Feet 3/4"  
 20 Feet and over as agreed upon between the supplier and purchaser.
- 7.



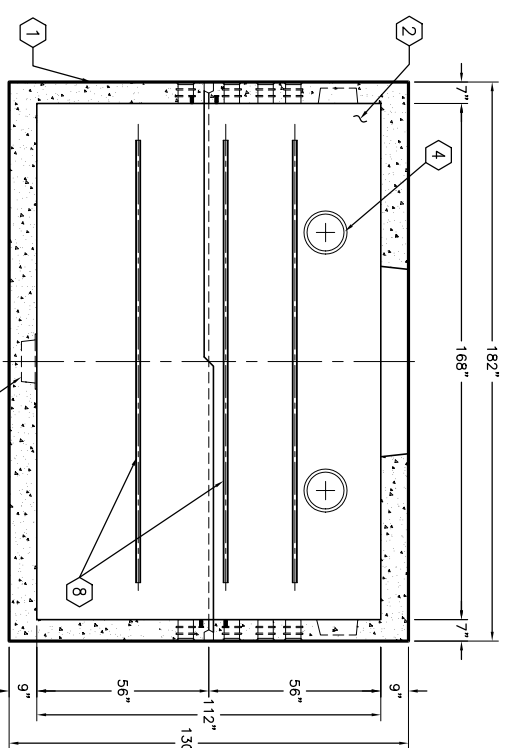
MINIMUM EXCAVATION SIZE:  
 9'-6" x 17'-6" x DEPTH REQD.

**K814-TFV112-20**

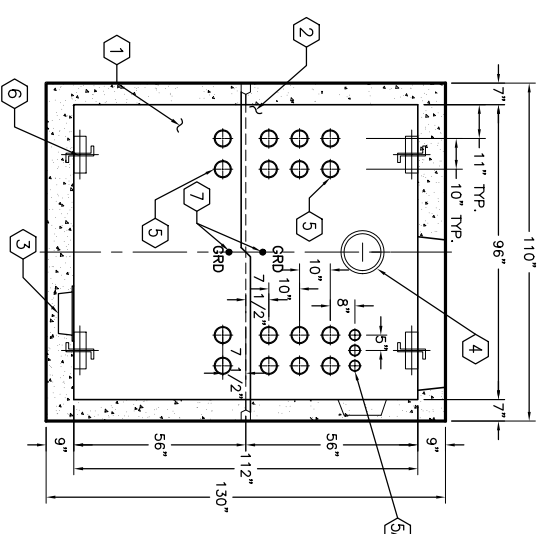
PER PASADENA POWER 03-01-02



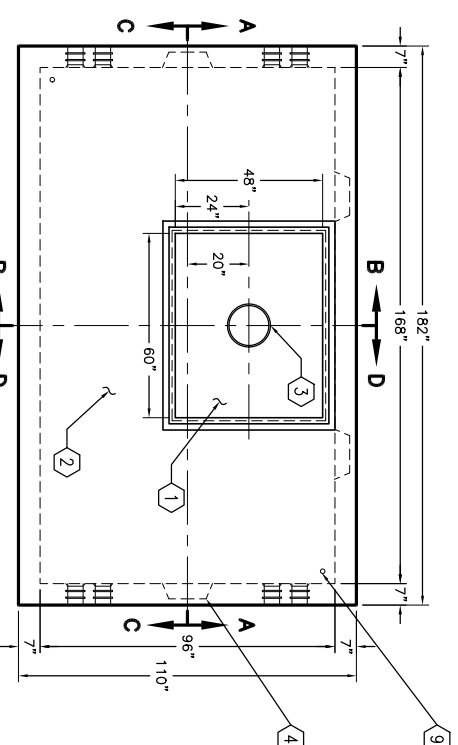
AUTOCAD REL. 14



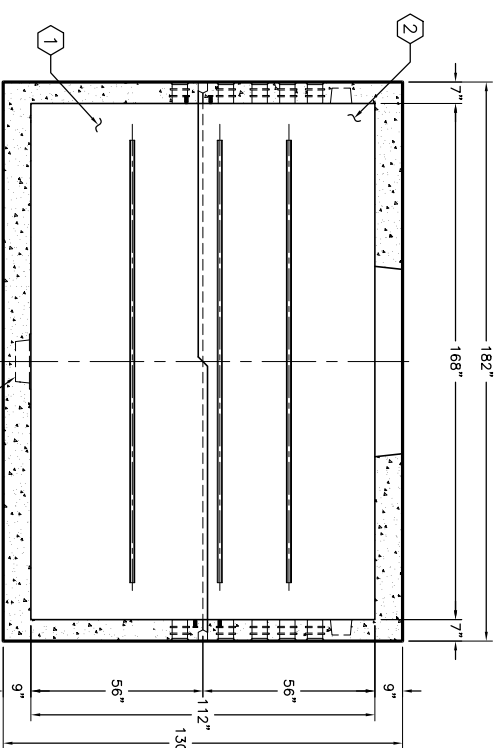
**SECTION A-A**



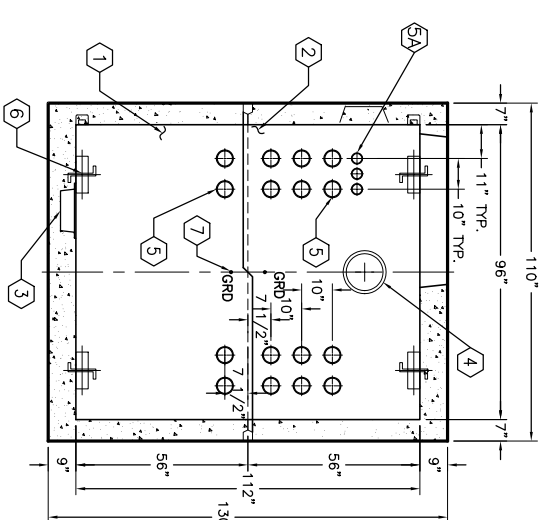
**SECTION B-B**



**PLAN VIEW**



**SECTION C-C**



**SECTION D-D**



**K814-TFV112-20**

PER PASADENA POWER 03-01-02

#	DATE	DESCRIPTION	BY