

# 8'-0" x 9'-4" GLENDALE DUCTED TUNNEL VAULT x 22'-0" LONG

## NOTES:

- DESIGNED IN ACCORDANCE WITH AASHTO H-20-44 BRIDGE LOADING USING 5,500 PSI [37.92MPa] COMPRESSIVE STRENGTH CONCRETE AND 60,000 PSI [413.2MPa] YIELD STRENGTH GRADE 60 A-706 REINFORCEMENT PER CALC. #30344.

- VAULT TO BE PLACED ON A 6" BASE OF CRUSHER RUN FOR EASE OF INSTALLATION AND EVEN LOAD DISTRIBUTION.

- LIMIT OF COVER OVER ROOF SECTION IS 1'-0" TO 4'-0".

THE FOLLOWING MATERIAL TO BE SHIPPED WITH EACH VAULT:  
(a) 7/8" x 1 3/4" CONSEAL GASKET (190 FT. RECD.)

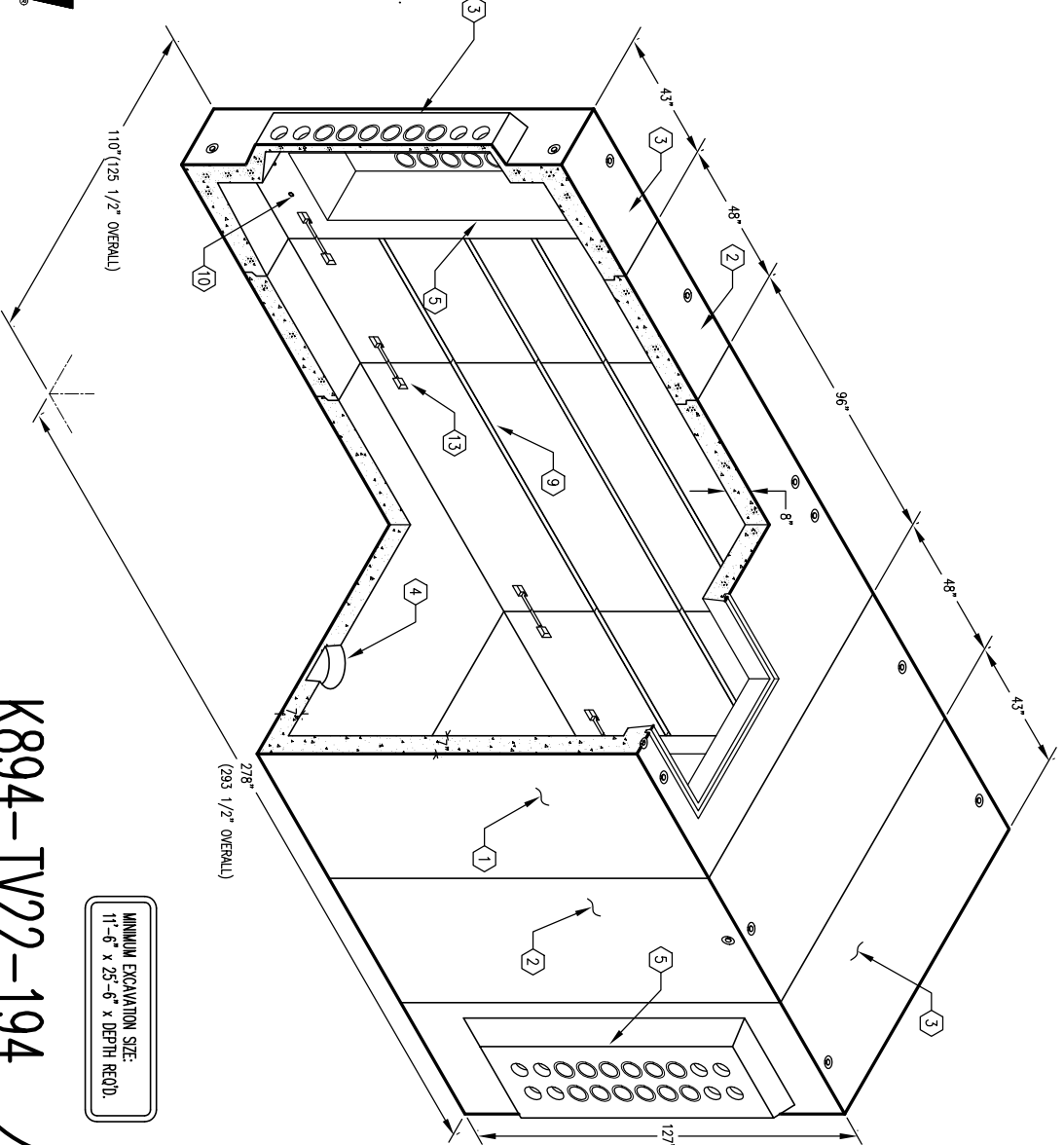
## ORDERING INFORMATION:

K894-TV22-194 FOR ASSEMBLY AS SHOWN.  
APPROVED FOR GLENDALE SPEC. 1776.  
TOTAL WEIGHT OF ASSEMBLY IS 87,280 Lbs.

## GENERAL NOTES:

- Minimum soil bearing capacity is hereby assumed to be 2000 PSF unless otherwise documented by a geotechnical report that shall be provided to Jensen Precast by the end user. Jensen Precast shall not be held responsible for the soil bearing capacity.
- Installation of Manholes, Vaults, Handholes, Meter Boxes etc. will be as per Jensen Installation procedures.
- Structural modification to the Jensen line of products is not permitted without prior written approval from Jensen Engineering Department.
- Do not scale the drawings. verify all dimensions including rough openings, if any discrepancies are found, notify the Jensen Engineer immediately.
- The Jensen Engineer will interpret the intent of the drawings in case of possible conflict or discrepancy.
- Permissible Variations:  
Dimensional Tolerances - The length, width, height, or dia. measurements of the structure when measured on the inside surfaces shall not deviate from design dimensions by more than the following:  
Dimensions: Tolerance:  
0 to 5 Feet 1/4"  
5 to 10 Feet 3/8"  
10 to 20 Feet as agreed upon between the supplier and purchaser.
- Squareness Tolerance:  
The inside of the precast concrete component shall be square as determined by diagonal measurements. The difference between such measurements shall not exceed the following:  
Measured Length: Allowable Difference  
0 to 10 Feet 1/2"  
10 to 20 Feet 3/4"  
20 Feet and over as agreed upon between the supplier and purchaser.

- TV894-C96-19, 96" CENTER SECTION, WT. 26,000 Lbs.
- TV894-R48-19, 48" EXTENSION SECTION, WT. 13,360# EACH (2) RECD. TV894-E36-194, 36" END SECTION-DUCTED (950-226), WT. 17,500 Lbs. EACH (2) RECD.
- 13" x 14" DIA. SUMP x 5" DEEP W/GRATE RECESS TO ACCOMMODATE SUMP COVER. LOCATE AS FOLLOWS: INTERMEDIATE SECTION (1) CORE MTD. 18" x 75" DEEP K.O. x 12" DEEP W/ (12) 5" DIA. CONTERMS, (8) 5" DIA. K.O. x 2" DEEP, (1) 2" x 2 1/2" Dia. K.O. x 2" DEEP. DRAFT AS FOLLOWS: T=1", S1=1", S2=7" B=7". LOCATE AS FOLLOWS: END SECTIONS (4) EACH CORE MTD. 10" DIA. x 5" DEEP ABS PLASTIC VENT TERMINATOR. LOCATE AS FOLLOWS: INT. SECTION (4) CORE MTD.: EXT. SECTS. (2) EACH CORE MTD.: END SECTS. (1) EACH CORE MTD. 5/8" COPPER CLAD STEEL GROUND ROD x 14" LONG. LOCATE AS FOLLOWS: END SECTIONS (1) EACH CORE MTD. 1" DIA. BLIND GROUND ROD HOLE. LOCATE AS FOLLOWS: END SECTIONS (1) EACH CORE MTD. 1 5/8" x 1 5/8" GALVANIZED UNISTRUT. LOCATE AS FOLLOWS: INT. SECT. (6) x 96" LONG CORE MTD.; EXT. SECTS. (6) EACH x 46" LONG CORE MTD.; END SECTS. (3) EACH x 32" LONG CORE MTD.
- 1" GALV. DOUBLE COIL THRD. INSERT. LOCATE AS FOLLOWS: INT. SECT. (1) CORE MTD.; END SECTS. (8) EACH CORE MTD. 1" GALV. COIL THRD. INSERT. LOCATE AS FOLLOWS: INT SECT (8) CORE MTD.; EXT. SECTS. (2) EACH CORE MTD. END SECTS. (2) EACH CORE MTD.
- 1/2" P-35-T INSERT. LOCATE AS FOLLOWS: INT SECT. (16) CORE MTD.: EXT. SECTS. (8) EACH CORE MTD.; END SECTS. (10) EACH CORE MTD.
- BOLT-UP CASTINGS. LOCATE AS FOLLOWS: INT. SECT. (8) CORE MTD.; EXT. SECTS. (8) EACH CORE MTD.; END SECTS. (4) EACH CORE MTD.

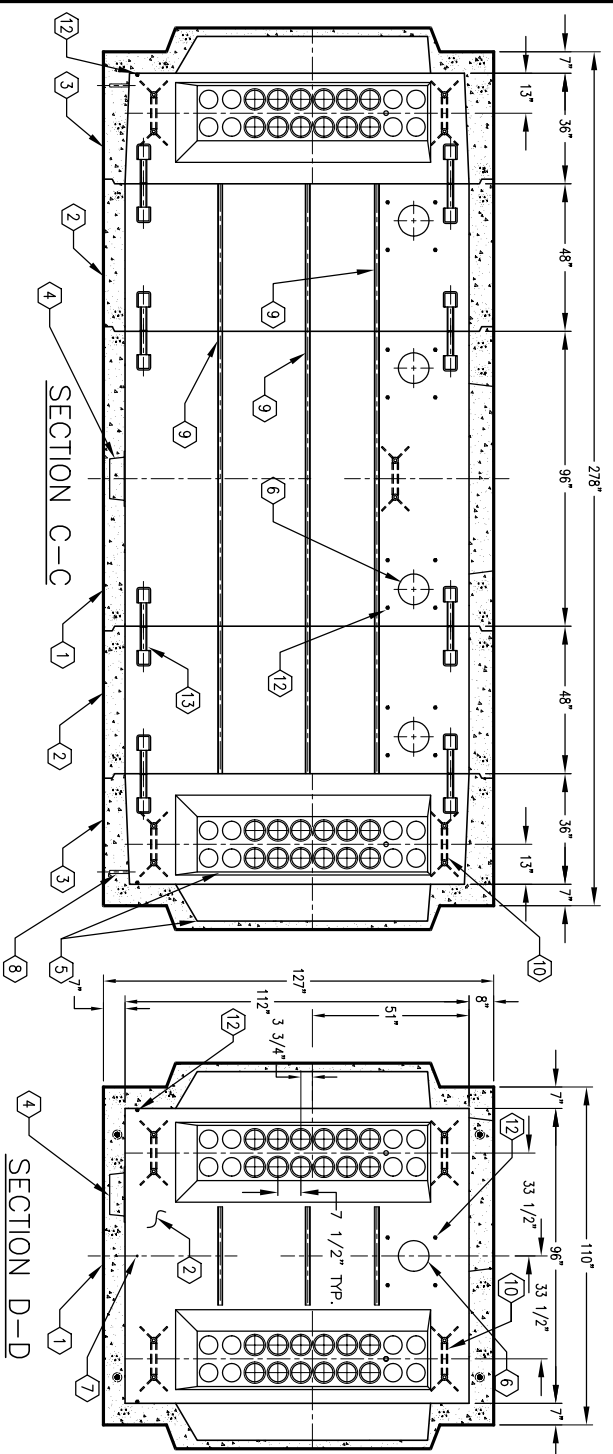
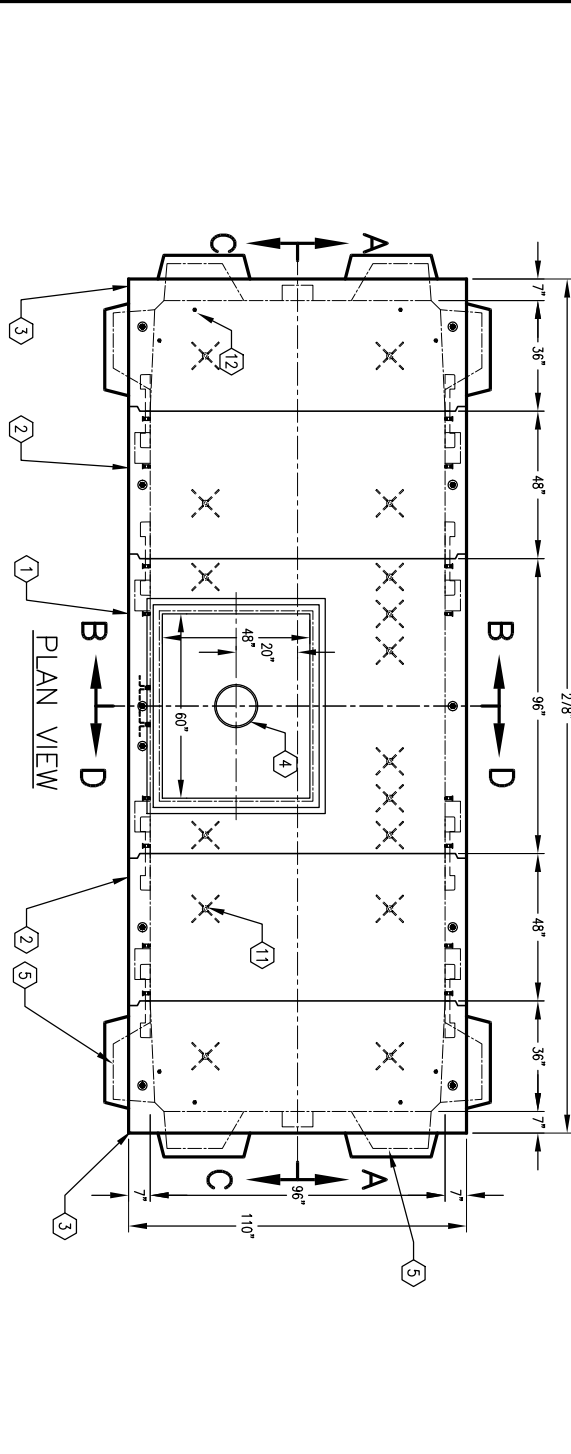
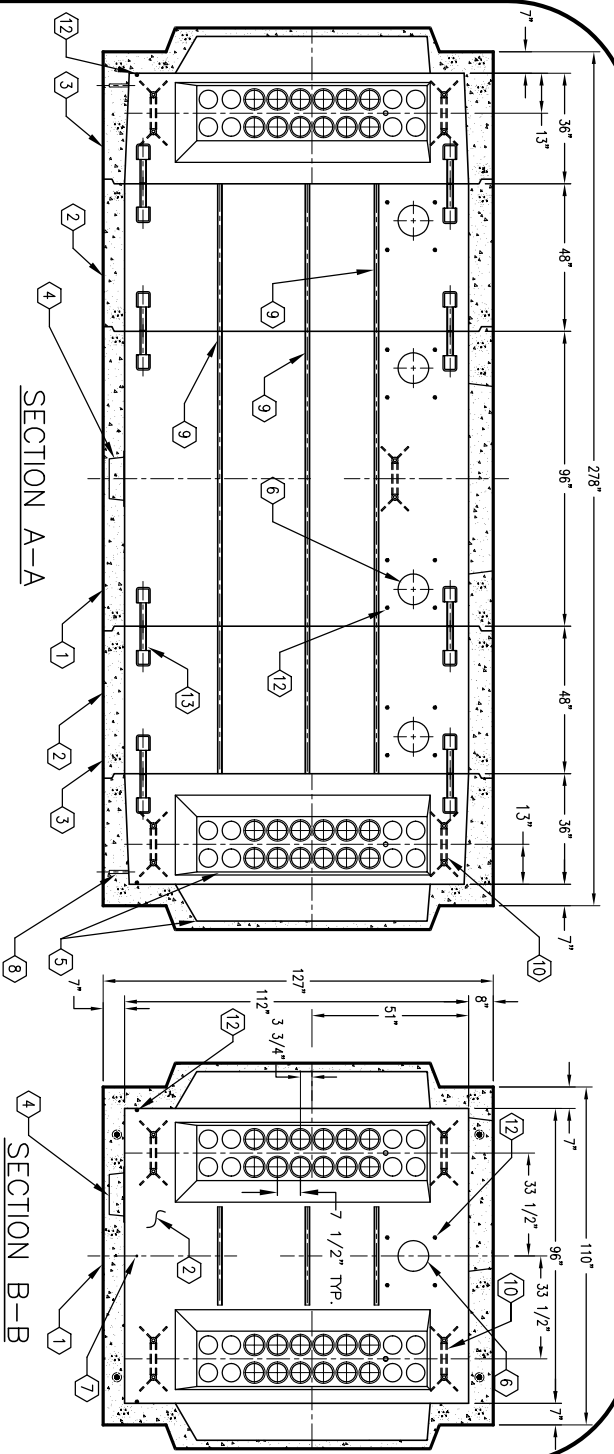


K894-TV22-194  
PER GLENDALE SPEC. 1776



AUTOCAD REL. 14

03-01-02



| # | DATE | DESCRIPTION | BY |
|---|------|-------------|----|
|   |      |             |    |

K894-TV22-194  
PER GLENDALE SPEC. 1776

03-01-02

