

# 6'-0" x 10'-0" GLENDALE TWO WAY VAULT x 9'-4" DEEP

**NOTES:**

- MANHOLE DESIGNED IN ACCORDANCE WITH AASHTO H-20-44 TRAFFIC BRIDGE LOADING USING 5,500 PSI COMPRESSIVE STRENGTH CONCRETE AND 60,000 PSI YIELD STRENGTH ASTM A-706 STEEL REINFORCEMENT PER CALCS.
- MANHOLE TO BE PLACED ON A MIN. 6" BASE OF GUSHERR RUN FOR EASE OF INSTALLATION AND EVEN LOAD DISTRIBUTION.

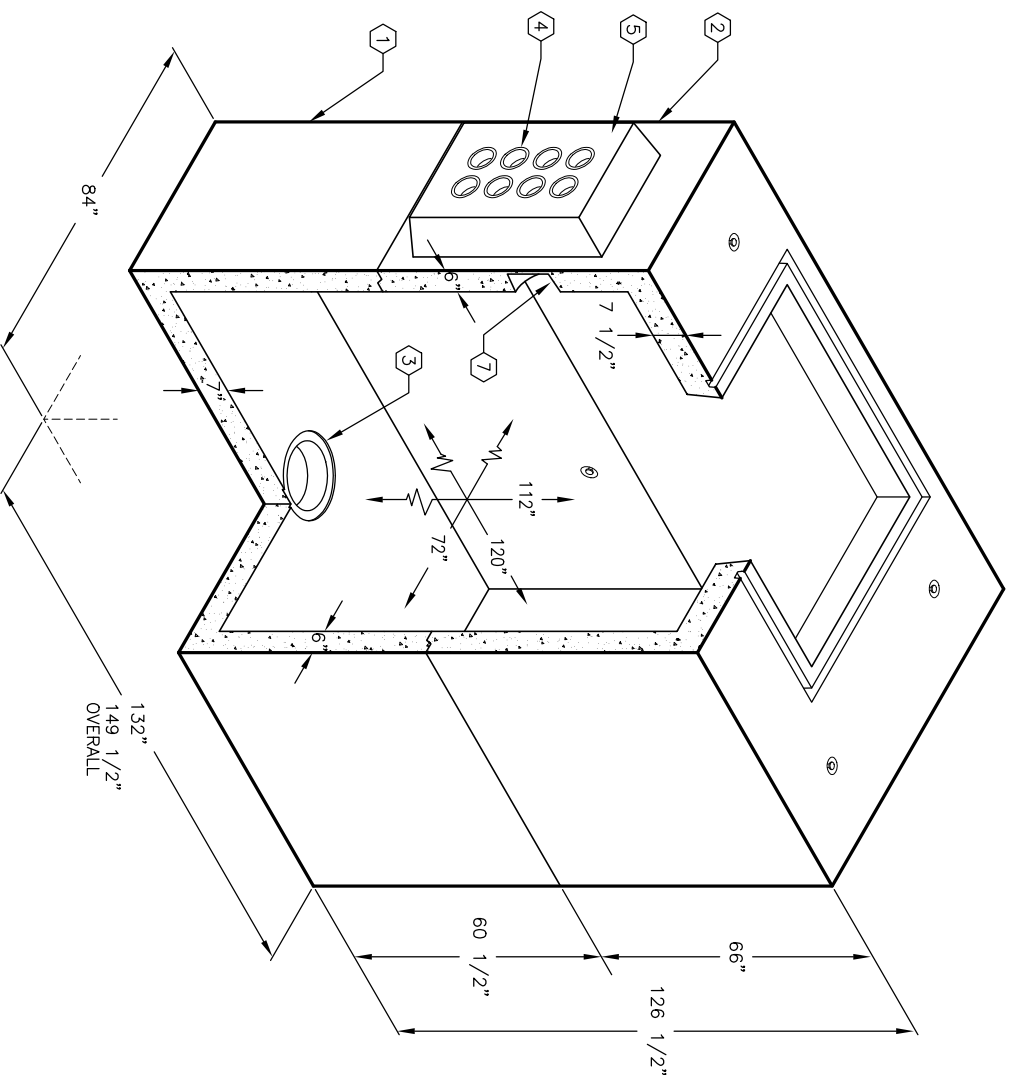
**ORDERING INFORMATION:**

K610-DV112-19TB FOR ASSEMBLY AS SHOWN.  
TOTAL WEIGHT OF ASSEMBLY SHOWN IS 36,925 Lbs.

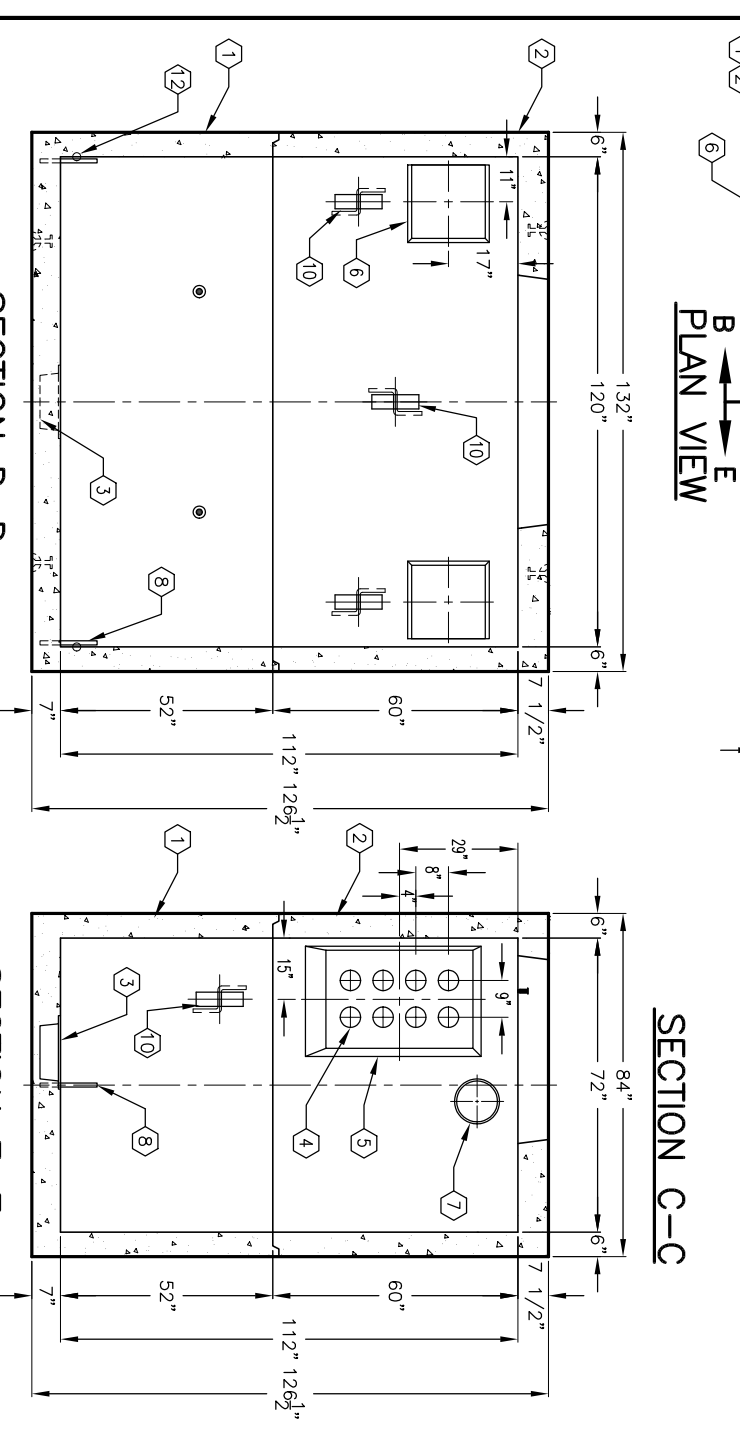
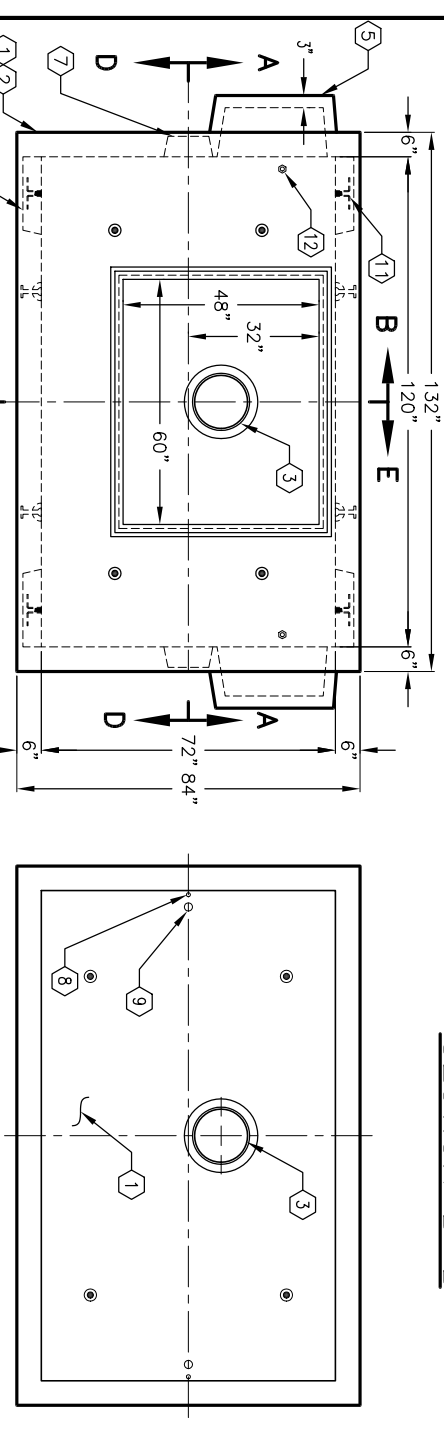
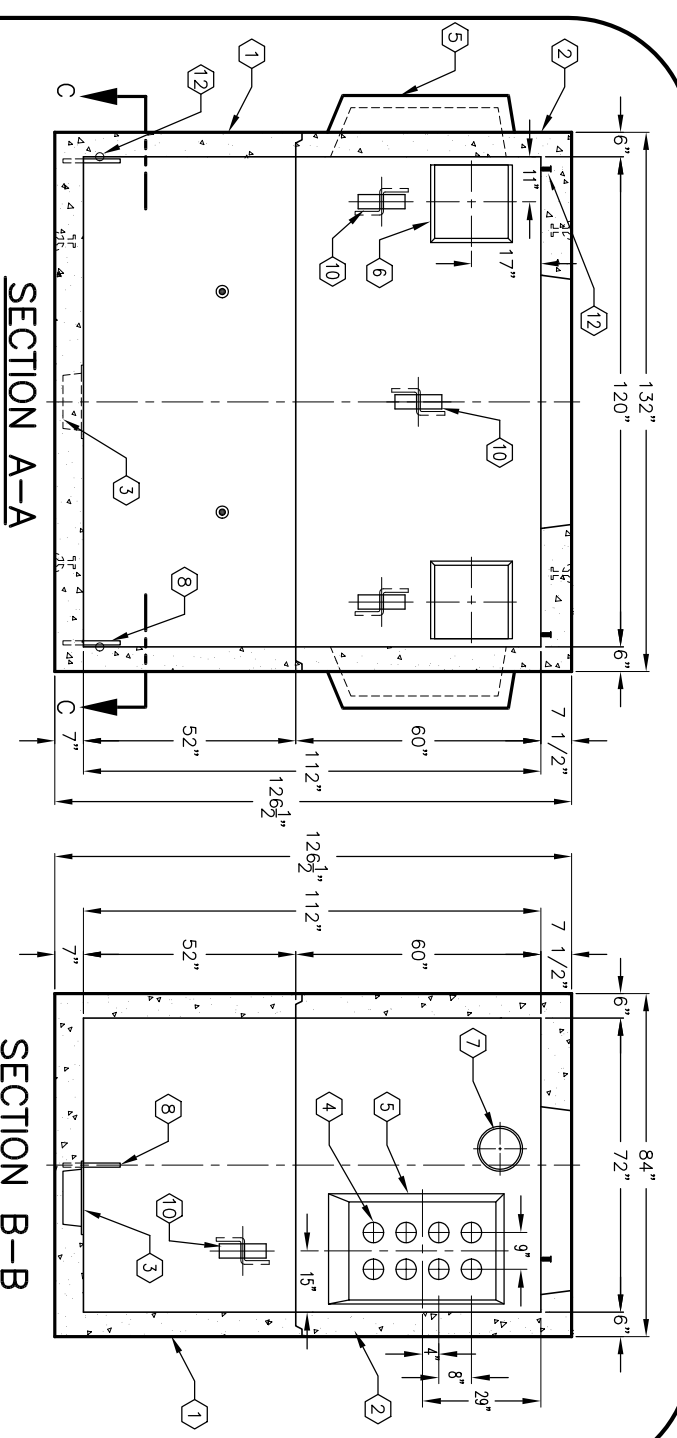
1. UV610-B52-19TB, 52" BOTTOM SECTION, WT. 17,800 Lbs.
2. UV610-160-19TB, 60" TOP SECTION, WT. 18,125 Lbs.
3. 13" x 14" DIA. SLUMP x 5" DEEP, W/SUMP COVER
4. 5" DIA. TERMINATORS CAST-IN TO DUCTED K.O. TOP SECTION (16) CORE MTD.
5. 24" x 36" DUCTED KNOCKOUT, x 12" DEEP, DRAFT AS FOLLOWS: T=2", S1=1", S2=2", B=5". LOCATE AS FOLLOWS: TOP SECTION (2) CORE MTD.
6. 18" x 18" K.O. x 4 1/2" DEEP, DRAFT AS FOLLOWS: T=1", S1=S2=1", B=0". LOCATE AS FOLLOWS: TOP SECTION (4) CORE MTD.
7. 10" DIA. VENT K.O. x 5" DEEP, LOCATE AS FOLLOWS: TOP SECTION (2) CORE MTD.
8. 5/8" DIA. x 14" LONG COPPER CLAD STEEL GROUND ROD. LOCATE AS FOLLOWS: BOTTOM SECTION (2) CORE MTD.
9. 1" DIA. BLIND GROUND ROD HOLE. LOCATE AS FOLLOWS: BOTTOM SECTION (2) CORE MTD.
10. 7/8" RECESSED PULL IRON. TOP SECTION (6) CORE MTD.; BOTTOM SECTION (2) CORE MTD.
11. 1/2" P-36-T INSERT. LOCATE AS FOLLOWS: BOTTOM SECTION (4) CORE MTD.
12. 45" IN CORNERS; TOP SECTION (2) CORE MTD.

**GENERAL NOTES:**

1. Minimum soil bearing capacity is hereby assumed to be 2000 PSF unless otherwise documented by a geotechnical report that shall be provided to Jensen Precast by the end user. Jensen Precast shall not be held responsible for the soil bearing capacity.
2. Installation of Manholes, Vaults, Handholes, Meter Boxes etc. will be as per Jensen installation procedures.
3. Structural modification to the Jensen line of products is not permitted without prior written approval from Jensen Engineering Department.
4. Do not scale the drawings, verify all dimensions including rough openings, if any discrepancies are found, notify the Jensen Engineer immediately.
5. The Jensen Engineer will interpret the intent of the drawings in case of possible conflict or discrepancy.
6. Permissible Variations - The length, width, height, or dia. measurements of the structure when measured on the inside surfaces shall not deviate from design dimensions by more than the following:  
Dimensions:           Tolerance:  
0 to 5 Feet            1/4"  
5 to 10 Feet          3/8"  
10 to 20 Feet as agreed upon between the supplier and purchaser.  
Squariness Tolerance: he inside of the precast concrete component shall be square as determined by diagonal measurements. The difference between such measurements shall not exceed the following:  
Measured Length: Allowable Difference  
0 to 10 Feet         1/2"  
10 to 20 Feet         3/4"  
20 Feet and over as agreed upon between the supplier and purchaser.



MINIMUM EXCAVATION SIZE:  
8'-0" x 13'-6" x DEPTH REQD.



K610-DV112-19TB  
PER CITY OF GLENDALE  
03-01-02



K610-DV112-19TB  
PER CITY OF GLENDALE  
03-01-02

#	DATE	DESCRIPTION	BY