

6'-6" x 10'-0" COLTON SWITCH PAD W/5'-0" x 8'-6" ENCLOSURE x 4'-6" DEEP

NOTES:

- CONCRETE DESIGNED IN ACCORDANCE WITH AASHTO H-20-44 TRAFFIC LOADING USING 5,500 PSI [37.92 MPa] COMPRESSIVE STRENGTH CONCRETE AND 60,000 PSI [413.2 MPa] YIELD STRENGTH ASTM A-706 STEEL REINFORCEMENT PER CALCS. #31648.
- COVER IS DESIGNED FOR PARKWAY LOADING PER CALCS. #30448.
- ENCLOSURE TO BE PLACED ON A 6" BASE OF CRUSHER RUN FOR EVEN LOAD DISTRIBUTION AND EASE OF INSTALLATION.
- MARK PRODUCT: -DATE OF POUR
-PART NUMBER
-WEIGHT
-JENSEN PRECAST

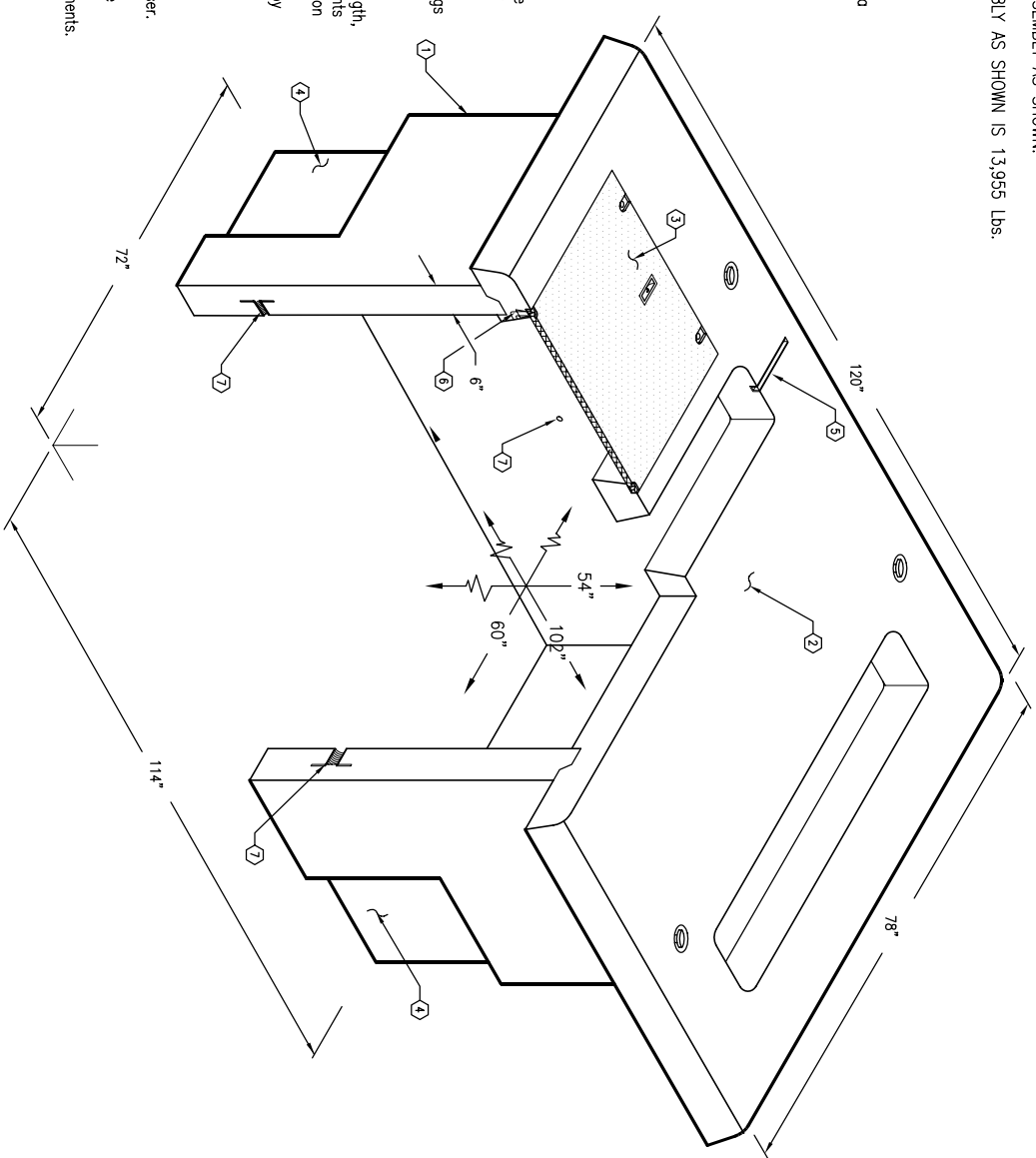
THE FOLLOWING MATERIAL TO BE SHIPPED WITH EACH WALL:
(o) 7/8" x 1 3/4" CONSEAL GASKET (45 FT. REQ'D.)

ORDERING INFORMATION:

K6610-SB54-18 FOR ASSEMBLY AS SHOWN.
CITY OF COLTON SPECS
TOTAL WEIGHT OF ASSEMBLY AS SHOWN IS 13,955 Lbs.

GENERAL NOTES:

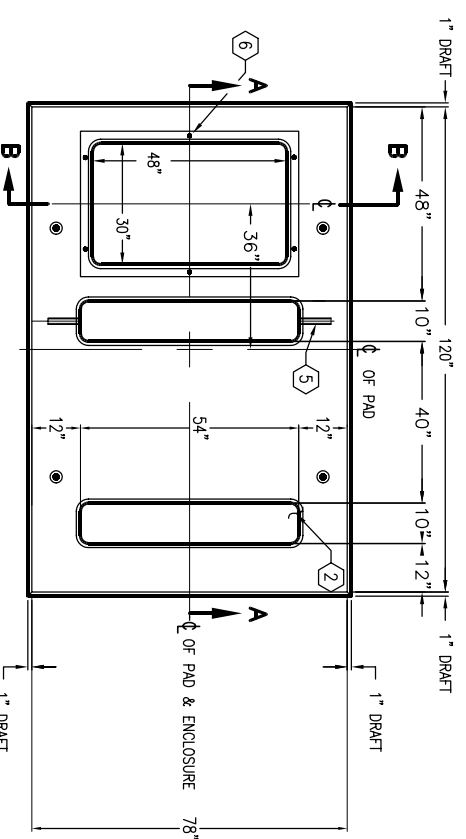
1. Minimum soil bearing capacity is hereby assumed to be 2000 PSF unless otherwise documented by a geotechnical report that shall be provided to Jensen Precast by the end user. Jensen Precast shall not be held responsible for the soil bearing capacity.
2. Installation of Manholes, Vaults, Handholes, Meter Boxes etc. will be as per Jensen Installation procedures.
3. Structural modification to the Jensen line of products is not permitted without prior written approval from Jensen Engineering Department.
4. Do not scale the drawings, verify all dimensions including rough openings, if any discrepancies are found, notify the Jensen Engineer immediately.
5. The Jensen Engineer will interpret the intent of the drawings in case of possible conflict or discrepancy.
6. Permissible Variations:
Dimensional Tolerances - The length, width, height, or dia. measurements of the structure when measured on the inside surfaces shall not deviate from design dimensions by more than the following:
Tolerance:
0 to 5 Feet 1/4"
5 to 10 Feet 3/8"
10 to 20 Feet and over as agreed upon between the supplier and purchaser.
7. Squariness Tolerance:
The inside of the precast concrete component shall be square as determined by diagonal measurements. The difference between such measurements shall not exceed the following:
Measured Length: Allowable Difference
0 to 10 Feet 1/2"
10 to 20 Feet 3/4"
20 Feet and over as agreed upon between the supplier and purchaser.



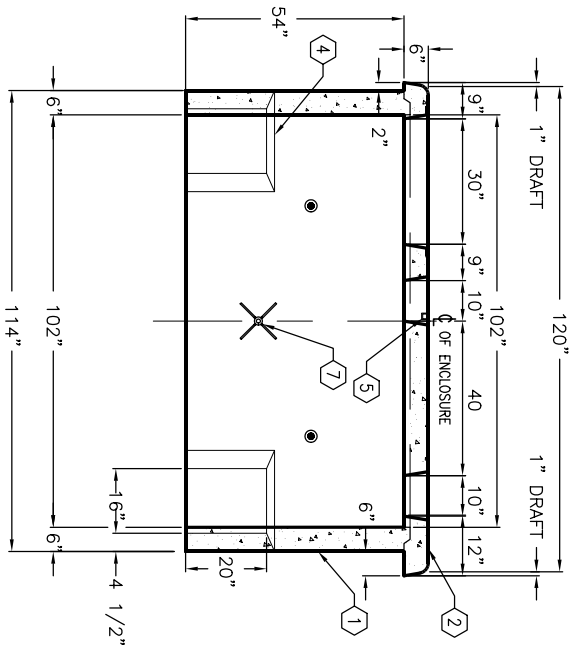
MINIMUM EXCAVATION SIZE:
7'-0" x 10'-6" x DEPTH REQ'D.



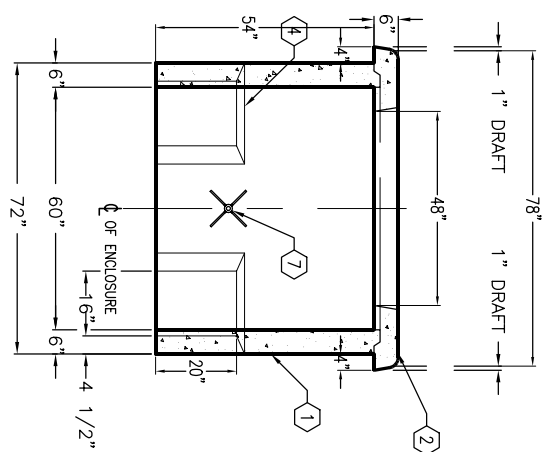
K6610-SB54-18
PER CITY OF COLTON SPEC-405.04



PLAN VIEW OF TRANSFORMER PAD



SECTION A-A



SECTION B-B



#	DATE	DESCRIPTION	BY

K6610-SB54-18
PER CITY OF COLTON SPEC-405.04

03-01-02