

4'-0" x 4'-0" COLTON PARKWAY FLAT WALL PULL BOX x 4'-6" DEEP

NOTES:

- CONCRETE DESIGNED IN ACCORDANCE WITH AASHTO H-20-44 TRAFFIC LOADING USING 5,500 P.S.I. [37.92 MPa] COMPRESSIVE STRENGTH CONCRETE AND 60,000 P.S.I. [413.2 MPa] YIELD STRENGTH ASTM A-706 STEEL REINFORCING PER CALCS. #50849.
- COVER DESIGNED FOR PARKWAY LOADING PER CALCS. #30459.
- PULL BOX TO BE PLACED ON A 6" BASE OF CRUSHER RUN FOR EASE OF INSTALLATION AND EVEN LOAD DISTRIBUTION.
- PULL BOX APPROVED BY CITY OF COLTON.
- MARK PRODUCT: -DATE OF POUR
-PART NUMBER
-WEIGHT
-JENSEN PRECAST

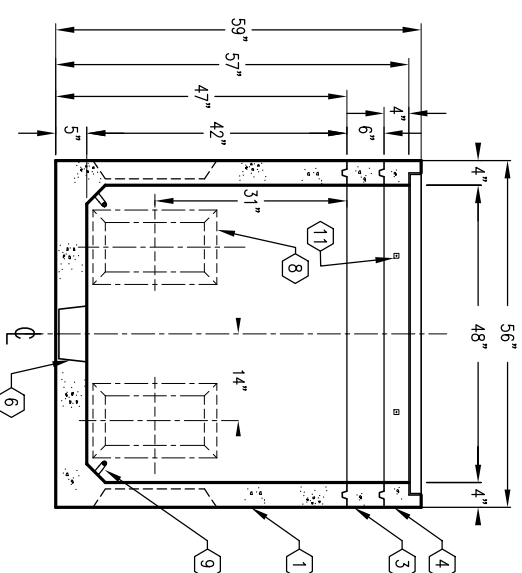
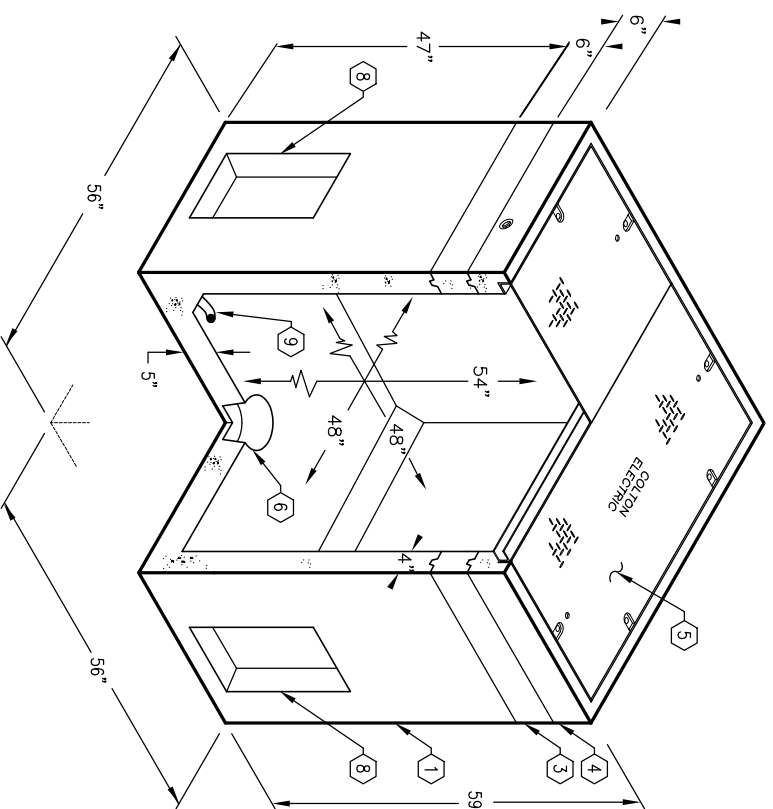
ORDERING INFORMATION:

K44-FP54-18P FOR ASSEMBLY AS SHOWN.
APPROVED FOR CITY OF COLTON SPECS.
TOTAL WEIGHT OF ASSEMBLY IS 6,400LBS.

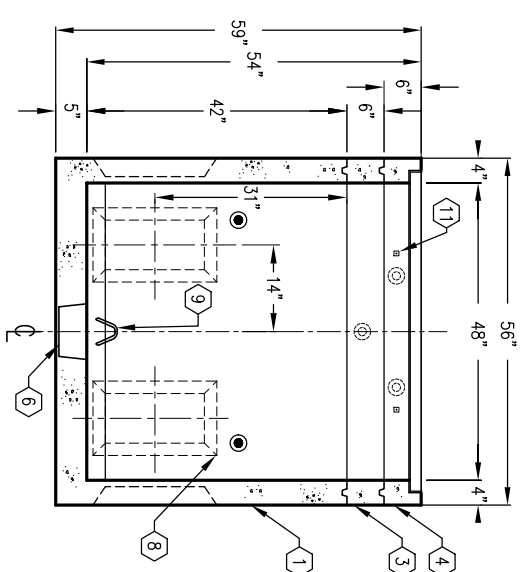
GENERAL NOTES:

1. Minimum soil bearing capacity is hereby assumed to be 2000 PSF unless otherwise documented by a geotechnical report that shall be provided to Jensen Precast by the end user. Jensen Precast shall not be held responsible for the soil bearing capacity.
2. Installation of Manholes, Vaults, Handholes, Meter Boxes, etc. will be as per Jensen installation procedures.
3. Structural modification to the Jensen line of products is not permitted without prior written approval from Jensen Engineering Department.
4. Do not scale the drawings, verify all dimensions including rough openings, if any discrepancies are found, notify the Jensen Engineer immediately.
5. The Jensen Engineer will interpret the intent of the drawings in case of possible conflict or discrepancy.
6. Permissible Variations:
Dimensional Tolerances - The length, width, height, or dia. measurements of the structure when measured on the inside surfaces shall not deviate from design dimensions by more than the following:
Dimensions: Tolerance:
0 to 5 Feet 1/4"
5 to 10 Feet 3/8"
10 to 20 Feet 1/2"
Squariness Tolerance: he inside of the precast concrete component shall be square as determined by diagonal measurements. The difference between such measurements shall not exceed the following:
Measured Length: Allowable Difference
0 to 10 Feet 1/2"
10 to 20 Feet 3/4"
20 Feet and over as agreed upon between the supplier and purchaser.
7. Squariness Tolerance: he inside of the precast concrete component shall be square as determined by diagonal measurements. The difference between such measurements shall not exceed the following:
Measured Length: Allowable Difference
0 to 10 Feet 1/2"
10 to 20 Feet 3/4"
20 Feet and over as agreed upon between the supplier and purchaser.

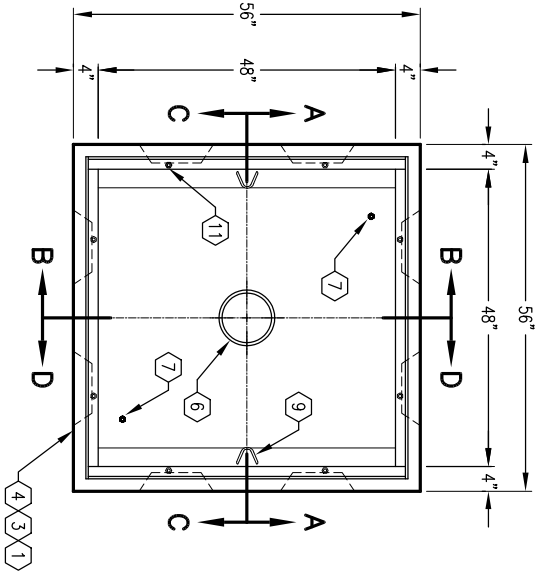
1. PB44F-B42-18, 42" BOTTOM SECTION. WT. 3,900 Lbs.
3. PB44-R6, 6" EXTENSION SECTION. WT. 430 Lbs.
4. PB44-T6F, 6" TOP SECTION, W/ CAST IN ANGLE
5. SC44-PB-ANG GALVANIZED ANGLE FRAME. WT. 430 Lbs.
6. SC44-PGV-18 TWO PIECE PARKWAY COVER W/(8)1/2" X 2 1/2" GALV. FINISH & MARKED "COLTON ELECTRIC". WT. 544 Lbs.
7. 8" X 9" DIAMETER SUMP X 4" DEEP. LOCATE AS FOLLOWS:
BOTTOM SECTION (1) CORE MTD.
8. 1" DIA. GROUND ROD KNOCKOUTS-TWO PLACES. CORE MOUNT.
9. 8" X 16" KNOCKOUT X 3" DEEP. 2" DRAFT TYPICAL ALL SIDES. LOCATE AS FOLLOWS: BOTTOM SECTION (8) SHELL MTD.
10. 7/8" X 6" GALVANIZED PULL IRON (08-2204). LOCATE AS FOLLOWS: BOTTOM SECTION (2) CORE MTD.
11. 1/2" P-35-T OB INSERT W/ CLEAN OUT HOLES. LOCATE AS FOLLOWS: TOP SECTION (8) FRAME MTD.



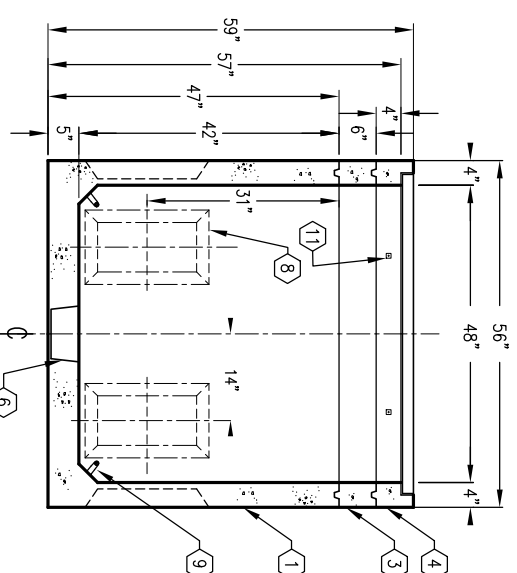
SECTION A-A



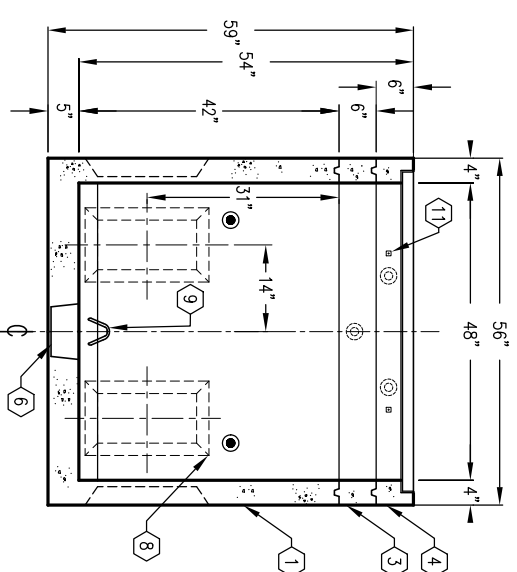
SECTION B-B



PLAN VIEW



SECTION C-C



SECTION D-D

MINIMUM EXCAVATION SIZE:
5'-8" x 5'-8" x DEPTH RECD.

K44-FP54-18P

PER CITY OF COLTON SPEC.-404.03

03-01-02

JENSEN PRECAST

#	DATE	DESCRIPTION	BY

K44-FP54-18P

PER CITY OF COLTON SPEC.-404.03

03-01-02

JENSEN PRECAST

AUTOGAD REL. 14