

3'-0" x 5'-0" TRAFFIC HINGED-DUCTED PULL BOX x 48" DEEP

NOTES:

- PULL BOX DESIGNED IN ACCORDANCE WITH ASHTO PULL BOX TRAFFIC BRIDGE LOADING SPEC. 5.3.2.0. PER 17.2.2.2. AND 17.2.2.3. MINIMUM CONCRETE AND 60,000 PSI [413.2MPa] YIELD STRENGTH ASTM A-706 STEEL REINFORCEMENT PER CALC. #31395.
- COVER DESIGNED FOR H-20-44 TRAFFIC LOADING FOR USE IN OFF-STREET LOCATIONS PER CALC. #31683.
- PULL BOX TO BE PLACED ON A MIN. 6" BASE OF CRUSHER RUN FOR EASE OF INSTALLATION AND EVEN LOAD DISTRIBUTION.

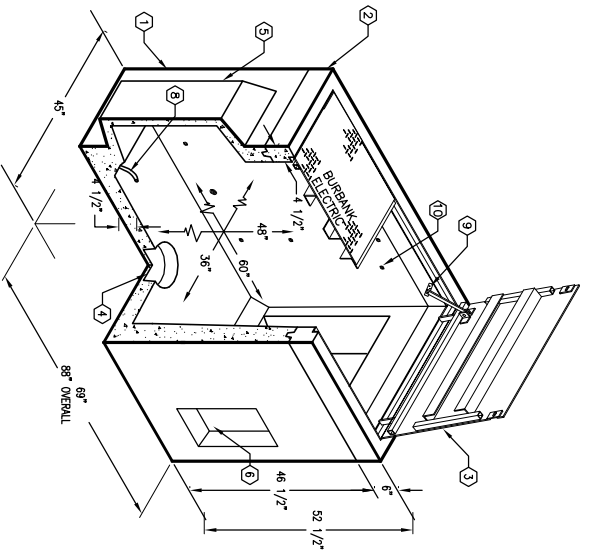
ORDERING INFORMATION:

K3660-DP48-17TSA FOR ASSEMBLY AS SHOWN.
TOTAL WEIGHT OF ASSEMBLY SHOWN IS 5,816 Lbs.

1. P33660-842-05, 42" BOTTOM SECTION, WT. 4,870 Lbs.
2. P33660-16H, 6" TOP SECTION, W/ FRAME (P3660-PB-HNG) CAST-IN-MARKED BURBANK ELECTRIC, WT. 316 Lbs.
3. C33660-1TSA-17, TWO PIECE STEEL TRAFFIC HINGED COVER (SC33660-THC-17), W/ (2) 1/2" S.S. BOLTS, GALVANIZED FINISH
4. 6" DIA. SLUMP x 3 1/2" DEEP. LOCATE AS FOLLOWS: BOTTOM SECTION (1) CORE MTD.
5. 26" x 26" 1/2" DUCTED R.O. x 1/2" DEEP. LOCATE AS FOLLOWS: BOTTOM SECTION (2) CORE MTD.
6. 1" DIA. BLIND GROUND ROD HOLE. LOCATE AS FOLLOWS: SECTION (4) SHELL MTD.
7. 7/8" x 4 1/2" GALV. PULL IRON LOCATE AS FOLLOWS: SECTION (2) CORE MTD.
8. 1 1/2" P-36-1 INSERT. LOCATE AS FOLLOWS: TOP SECTION
9. 1 1/2" PLASTIC INSERT. LOCATE AS FOLLOWS: BOTTOM SECTION
10. (20) CORE MTD.

GENERAL NOTES:

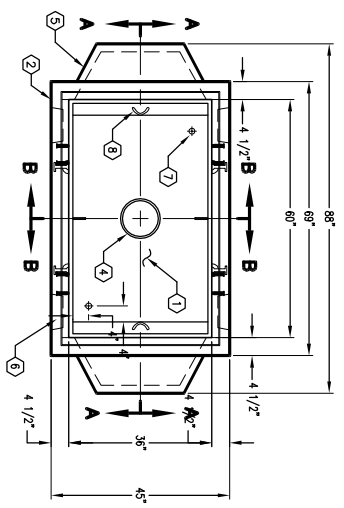
1. Performance of soil bearing capacity is hereby assumed to be 2000 PSF unless otherwise documented by a geotechnical report that shall be provided to Jensen Precast by the end user. Jensen Precast shall not be responsible for the soil bearing capacity for Handholes, Meter Boxes etc. will be as per Jensen installation procedures, modification to the Jensen line of products is not permitted without prior written approval from Jensen Engineering Department.
2. Do not scale the drawings, verify all dimensions including couplings, if these are not shown, notify the Jensen Engineer immediately.
3. The Jensen Engineer will interpret the intent of the drawings in case of possible conflict or discrepancy.
4. Permissible Variations: - The length, width, height, or dia. measurements of the structure when measured on the made surfaces shall not exceed the dimensions by more than the following:
 - Dimensions: 1/4"
 - 0 to 5 Feet: 3/8"
 - 5 to 10 Feet: 1/2"
 - 10 to 20 Feet as agreed upon: 3/4"
5. Between the supplier and purchaser. The inside of the precast concrete component shall be square as determined by diagonal measurements. The difference between such measurements shall not exceed the measured length. Allowable Difference 0 to 10 Feet: 1/2"
10 to 20 Feet: 3/4"
20 Feet and over as agreed upon: 1/2" between the supplier and purchaser.



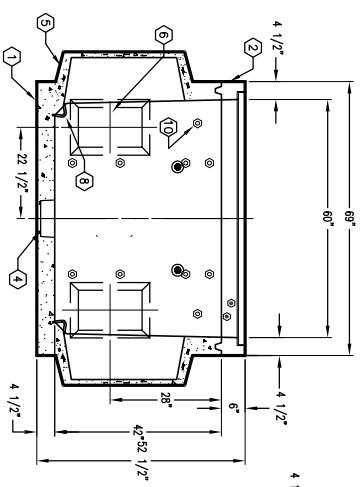
MINIMUM EXCAVATION SIZE:
4'-5" x 8'-4" x 48" DEPTH REQD.

JENSEN PRECAST
K3660-DP48-17TSA
CITY OF BURBANK
09-30-03

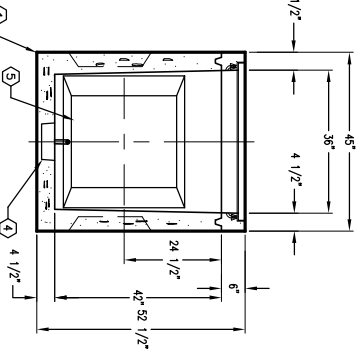
PLAN VIEW



SECTION A-A



SECTION B-B



#	DATE	DESCRIPTION	BY

JENSEN PRECAST
K3660-DP48-17TSA
CITY OF BURBANK
09-30-03