

3'-0" x 5'-0" PARKWAY HINGED-DUCTED PULL BOX x 48" DEEP

NOTES:

- PULL BOX DESIGNED IN ACCORDANCE WITH ASHTO PERFORM BRIDGE LOADING (SBS) PER 17.2.2.2.1 AND 17.2.2.2.2 AND 60,000 PSI [413.2MPa] YIELD STRENGTH ASTM A-706 STEEL REINFORCEMENT PER CALC. #31395.
- COVER DESIGNED FOR PARKWAY LOADING @ 300 PSF PER CALC. #31882.
- PULL BOX TO BE PLACED ON A MIN. 6" BASE OF CRUSHER RUN FOR EASE OF INSTALLATION AND EVEN LOAD DISTRIBUTION.

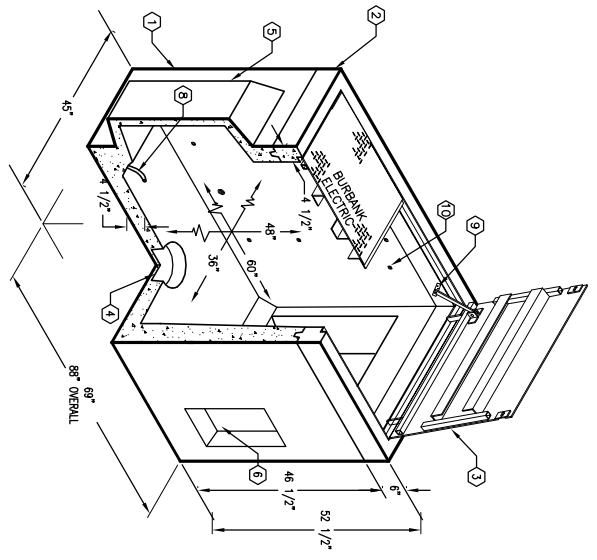
ORDERING INFORMATION:

K3660-DP48-17PSA FOR ASSEMBLY AS SHOWN.
TOTAL WEIGHT OF ASSEMBLY SHOWN IS 5,816 Lbs.

1. PB3660D-B42-05, 42" BOTTOM SECTION, WT. 4,870 Lbs.
2. PB3660-16H, 6" TOP SECTION, W/ FRAME (F3660-PB-HNG) CAST-IN.
3. CA3660-PGSA-17, TWO PIECE STEEL PARKWAY HINGED COVER (SC3660-PHGV-17), W/ (2) 1/2" S.S. BOLTS, GALVANIZED FINISH MARKED BURBANK ELECTRIC, WT 316 Lbs.
4. DUCT SIZE x 26" DIA. BOTTOM SECTION (1) CORE MTD.
5. 26" x 26 1/2" DUCTED K.O. x 12" DEEP. LOCATE AS FOLLOWS
6. 8" x 16" K.O. x 3" DEEP. LOCATE AS FOLLOWS: BOTTOM SECTION (4) SHELL MTD.
7. 1" DIA. BLIND GROUND ROD HOLE. LOCATE AS FOLLOWS: BOTTOM SECTION (2) CORE MTD.
8. 1" DIA. BLIND GROUND ROD HOLE. LOCATE AS FOLLOWS: BOTTOM SECTION (2) CORE MTD.
9. (4) 1/2" P-36-1" INSERT. LOCATE AS FOLLOWS: TOP SECTION (4) CORE MTD.
10. (2) 1/2" PLASTIC INSERT. LOCATE AS FOLLOWS: BOTTOM SECTION (2) CORE MTD.

GENERAL NOTES:

1. General Notes: All bearing capacity is hereby assumed to be 2000 PSF unless otherwise documented by a geotechnical report that shall be provided to Jensen Precast by the end user. Jensen Precast shall not be responsible for the soil bearing capacity. Installation of Manholes, Vaults, Handholes, Meter Boxes etc. will be as per Jensen installation procedures. Modification to the Jensen line of products is not permitted without prior written approval from Jensen Engineering Department. Do not scale the drawings, verify all dimensions including couplings, if any, before construction and notify the Jensen Engineer immediately. The Jensen Engineer will interpret the intent of the drawings in case of possible conflict or discrepancy. Permissible Variations: Dimensional Tolerances - The length, width, height, or dia. measurements of the structure shall not exceed the dimensions by more than the following: Tolerances: 0 to 5 Feet 3/8" 5 to 10 Feet 1/4" 10 to 20 Feet 1/8" Between the supplier and purchaser. The inside of the precast concrete component shall be square as determined by diagonal measurements. The difference between such measurements shall not exceed the measured length. Allowable Difference 0 to 10 Feet 1/2" 10 to 20 Feet 3/4" 20 Feet and over as agreed upon between the supplier and purchaser.

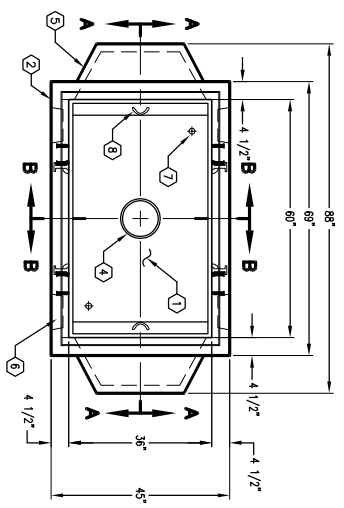


MINIMUM EXCAVATION SIZE:
4'-5" x 8'-4" x 48" DEPTH REQD.

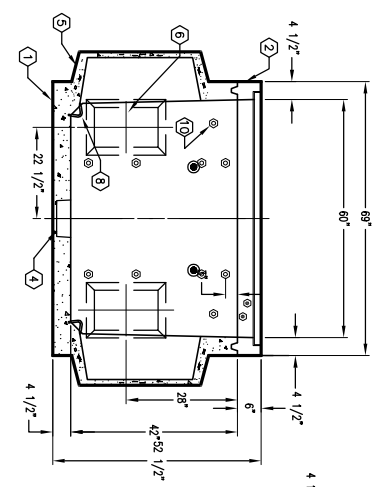
K3660-DP48-17PSA
CITY OF BURBANK S-460F
09-30-03



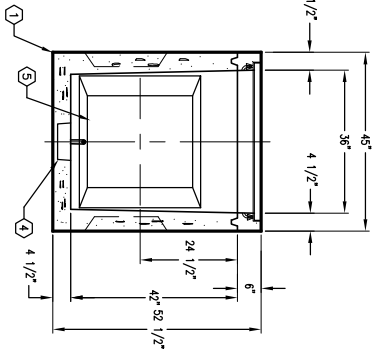
APPROVED REL. 14



PLAN VIEW



SECTION A-A



SECTION B-B



K3660-DP48-17PSA
CITY OF BURBANK S-460F
09-30-03

#	DATE	DESCRIPTION	BY