

6'-0" X 8'-0" LADWP PANEL VAULT X 9'-4" DEEP

NOTES:

- MANHOLE DESIGNED IN ACCORDANCE WITH AASHTO H-20-44 TRAFFIC BRIDGE LOADING USING 5,500 PSI [37.92MPa] COMPRESSIVE STRENGTH CONCRETE AND 60,000 PSI [413.2MPa] YIELD STRENGTH ASTM A-706 STEEL REINFORCEMENT PER CALCS. #31702.
- MANHOLE TO BE PLACED ON A MIN. 6" BASE OF CRUSHER RUN FOR EASE OF INSTALLATION AND EVEN LOAD DISTRIBUTION.
- LIMITS OF COVER OVER TOP SLAB IS 1'-0" TO 4'-0".
- CONCRETE MIX USED IN POURING THIS PRODUCT SHALL USE FLY ASH AS AN ADMIXTURE.
- EACH CONCRETE SECTION SHALL BE MARKED ON THE INSIDE & OUTSIDE WITH "JENSEN", THE DESIGNATION "DWP/FA", AND THE DATE OF POUR.
- EACH CONCRETE SECTION SHALL HAVE CAST-IN ON THE INSIDE "JENSEN", THE YEAR, AND THE DESIGNATION "FA".
- NO SHARP OR ROUGH EDGES ON THE TERMINATORS ENTERING THE VAULT.
- PANEL VAULT SHALL BE COMPLETELY ASSEMBLED INCLUDING THE ROOF SECTION IN PLACE PRIOR TO THE PLACEMENT OF BACKFILL, UNLESS OTHERWISE SPECIFIED.

THE FOLLOWING MATERIAL TO BE SHIPPED WITH EACH VAULT:
(0) 7/8" x 1 3/4" CONSOLE GASKET (135' FT. REQ'D.)

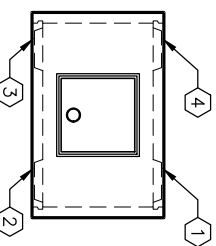
ORDERING INFORMATION:

K68-PVF112-12 FOR ASSEMBLY AS SHOWN.
APPROVED FOR LAD.W.P. SPEC. H-231 G-3
TOTAL WEIGHT OF ASSEMBLY SHOWN IS 36,961 Lbs.

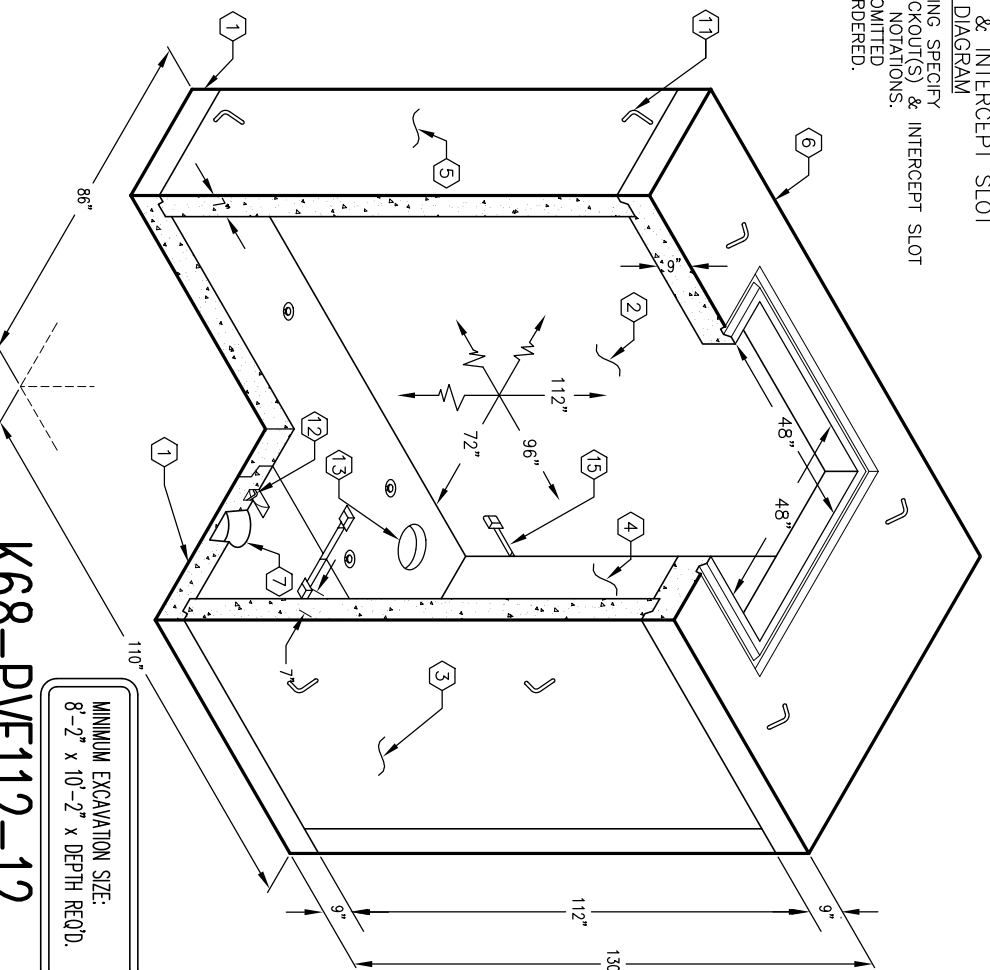
GENERAL NOTES:

1. Minimum soil bearing capacity is hereby assumed to be 2000 PSF unless otherwise documented by a geotechnical report that shall be provided to Jensen Precast by the end user. Jensen Precast shall not be held responsible for the soil bearing capacity.
2. Installation of Manholes, Vaults, Handholes, Meter Boxes etc. will be as per Jensen installation procedures.
3. Structural modification to the Jensen line of products is not permitted without prior written approval from Jensen Engineering Department.
4. Do not scale the drawings, verify all dimensions including rough openings. If any discrepancies are found, notify the Jensen Engineer immediately.
5. The Jensen Engineer will interpret the intent of the drawings in case of possible conflict or discrepancy.
6. Permissible Variations:
Dimensional Tolerances - The length, width, height, or dia. measurements of the structure when measured on the inside surfaces shall not deviate from design dimensions by more than the following:
Tolerance:
0 to 5 Feet 1/4"
5 to 10 Feet 3/8"
10 to 20 Feet as agreed upon between the supplier and purchaser.
Squares/Tolerance:
The inside of the precast concrete component shall be square as determined by diagonal measurements. The difference between such measurements shall not exceed the following:
Measured Length: Allowable Difference
0 to 10 Feet 1/2"
10 to 20 Feet 3/4"
20 Feet and over as agreed upon between the supplier and purchaser.
- 7.

KNOCKOUT & INTERCEPT SLOT ORDERING DIAGRAM
WHEN ORDERING SPECIFY DESIRED KNOCKOUT(S) & INTERCEPT SLOT PER DIAGRAM NOTATIONS. KNOCKOUTS OMITTED WHEN NOT ORDERED.



1. PV68-B-12, 9" THICK SPLIT BASE SLAB. WT. 7,615 Lbs.
2. PV68-S3-12, 7" THICK SIDE WALL 1. WT. 7,000 Lbs.
3. PV68-S4-12, 7" THICK SIDE WALL 2. WT. 7,000 Lbs.
4. PV610-E3-12, 7" END WALL 1. WT. 4,693 Lbs.
5. PV610-E4-12, 7" END WALL 2. WT. 4,693 Lbs.
6. PV68-T-12, 9" ROOF SLAB. WT. 5,960 Lbs.
7. 8" x 9" DIA. SUMP x 5" DEEP. LOCATE AS FOLLOWS:
BASE SLAB (1) TABLE MTD.
14" x 15" DIA. VENT KNOCKOUT X 5" DEEP
LOCATE AS FOLLOWS: END WALLS (1) TABLE MTD.
(OMIT IF SIDE OPTION VENTS ARE ORDERED)
- 8A. OPTIONAL SIDE VENT K.O.'S LOCATION OMIT IF NOT ORDERED
18" x 26" K.O. x 5 1/2" DEEP. DRAFT AS FOLLOWS:
T=2, S1=S2=2, B=2. OPTIONAL KNOCKOUT. LOCATE (IF REQ'D) AS FOLLOWS: SIDE WALL (1 OR 2) EACH, ONE (1) TO FOUR (4) TOTAL, AS REQUESTED. (NOT SHOWN)
9. 7/8" DIA. x 4 1/2" GALVANIZED PULL IRON WITH LEGS (05-2140). LOCATE AS FOLLOWS: BASE SLAB (1) TABLE MTD.; SIDE WALL (1) REQUIRED PER OPTIONAL KNOCKOUT, OPPOSITE TO KNOCKOUT.; END WALL (2) TABLE MTD. EACH. (NOT SHOWN)
10. 7/8" DIA. EXPOSED GALVANIZED PULL IRON. LOCATE AS FOLLOWS: BASE SLAB (1) SURFACE MTD.; SIDE WALL (4) EACH, SURFACE MTD.; END WALL (4) EACH, SURFACE MTD. (4) EACH, SURFACE MTD.
11. + 1/2" PLASTIC INSERT. LOCATE AS FOLLOWS: SIDE WALLS (13) TABLE MTD. END WALL (14) EACH, TABLE MTD.
12. 12" DIA. KNOCKOUT. LOCATE AS FOLLOWS: BOTTOM SECTION (2) CORE MTD.
- 13.
14. ■ BOLT UP CASTING. LOCATE AS FOLLOWS: SIDE WALL (4) EACH, TABLE MTD.; BASE SLAB (4) EACH TABLE MTD.
- 15.
16. 2" DIA. TERMS W/1" DIA. GROUND ROD KNOCKOUT. LOCATE AS FOLLOWS: BOTTOM SECTION (4) CORE MTD.
17. 1 1/2" X 1 1/2" STEEL ANGLE STIFFENERS X 24" LONG. (12) REQ'D. LOCATE AS FOLLOWS: (7) EACH END PANEL.
18. #4 REBAR X 60" LONG. (10) REQ'D TO BE SHIPPED WITH VAULT.
19. 3/4" LOOP INSERT. LOCATE AS FOLLOWS: (12) EACH END PANEL.
20. 1" DIA. BLIND GROUND ROD HOLE. BASE SLAB (12) CORE MTD.
- 21.
- 22.

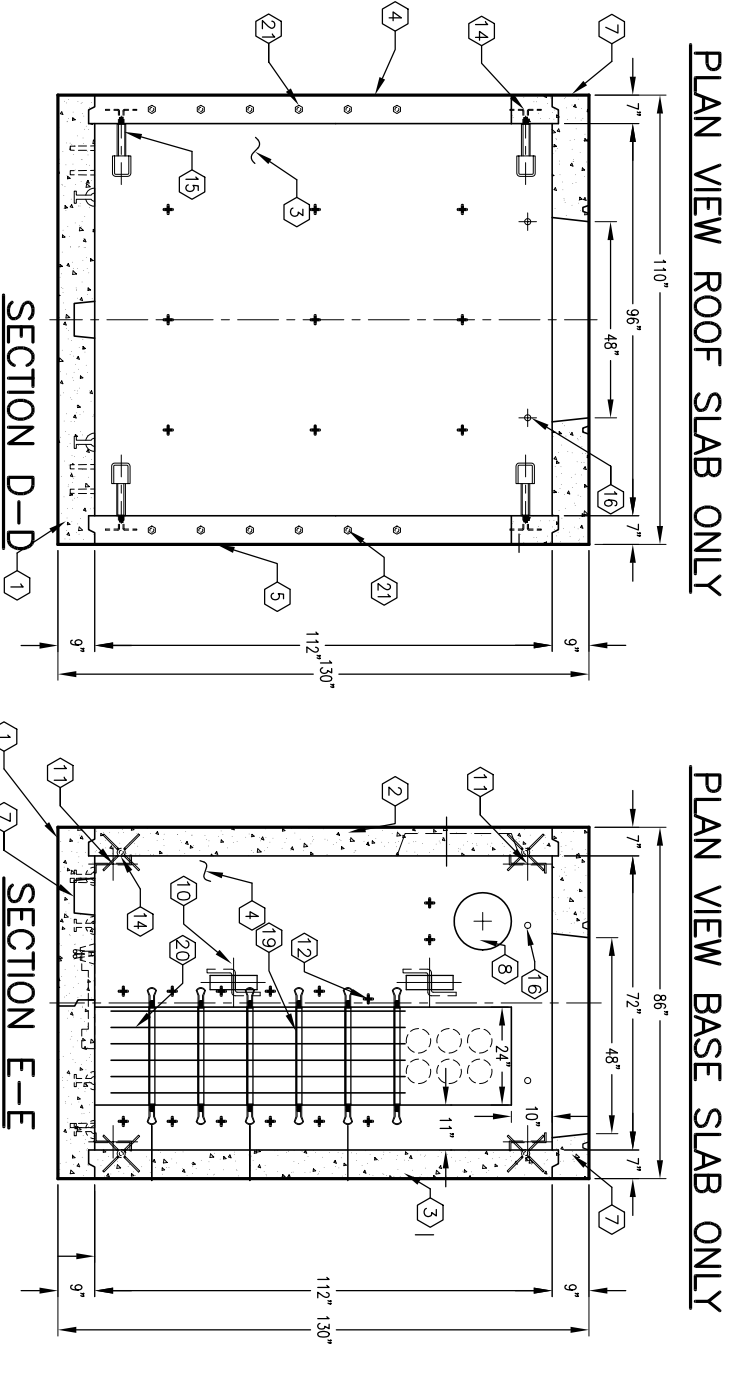
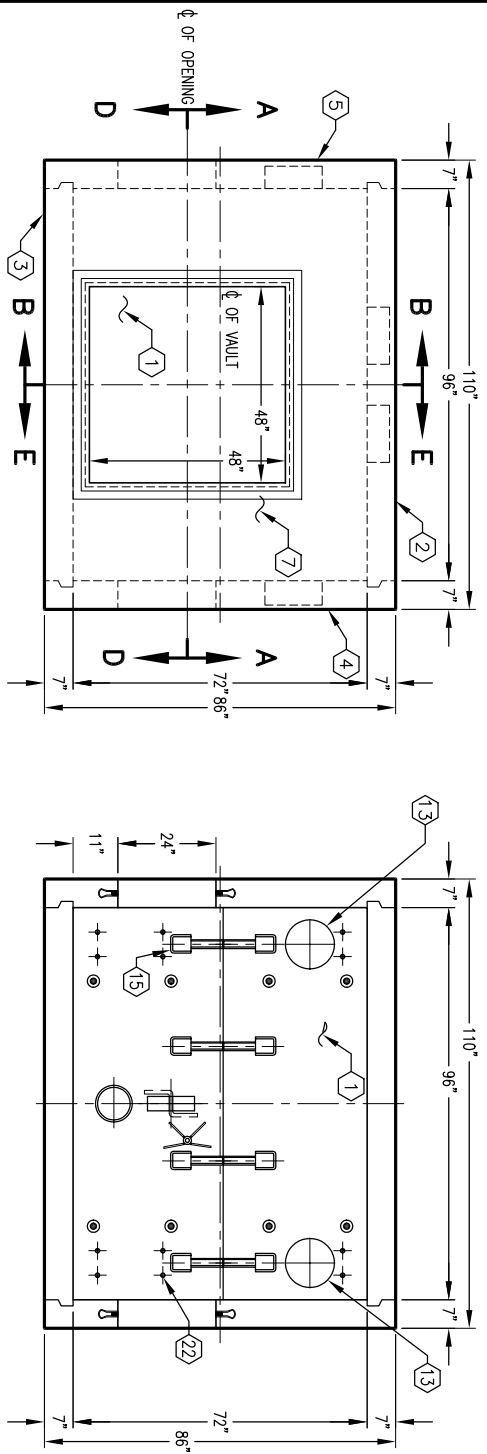
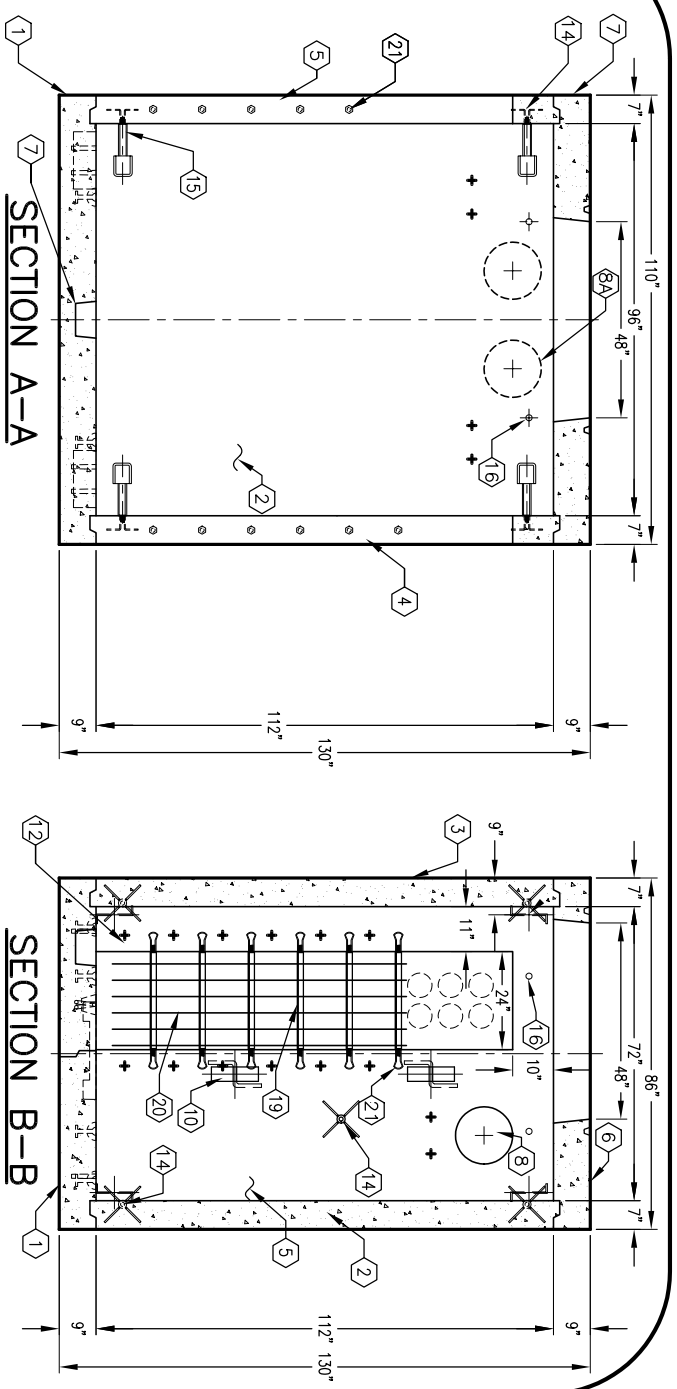


MINIMUM EXCAVATION SIZE:
8'-2" x 10'-2" x DEPTH REQ'D.

K68-PVF112-12
PER LAD.W.P. SPEC. H-231 G-3 RI
03-01-02



AUTOCAD REL. 14



#	DATE	DESCRIPTION	BY

K68-PVF112-12
PER LAD.W.P. SPEC. H-231 G-3 RI
03-01-02



AUTOCAD REL. 14