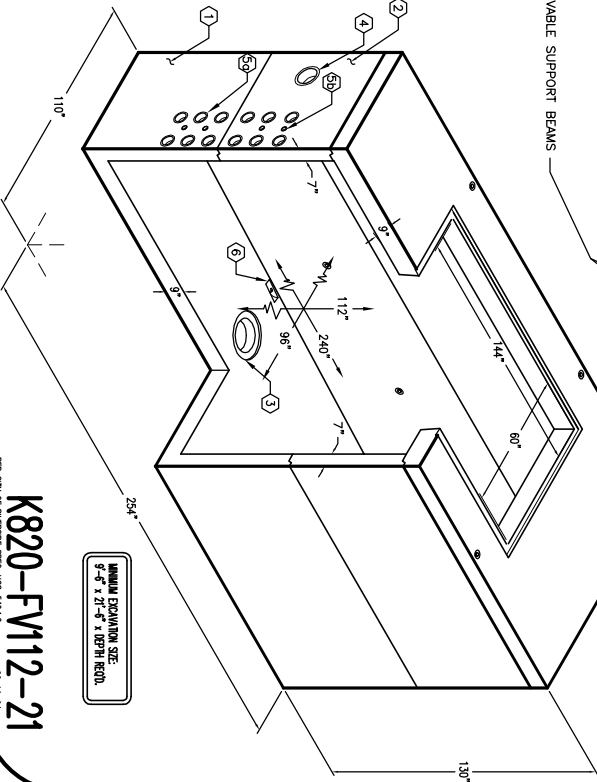
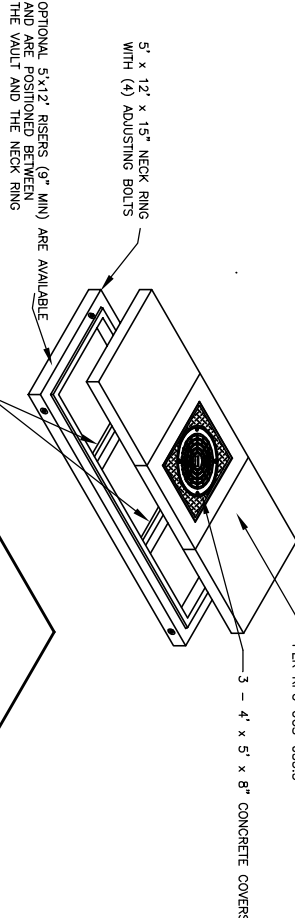


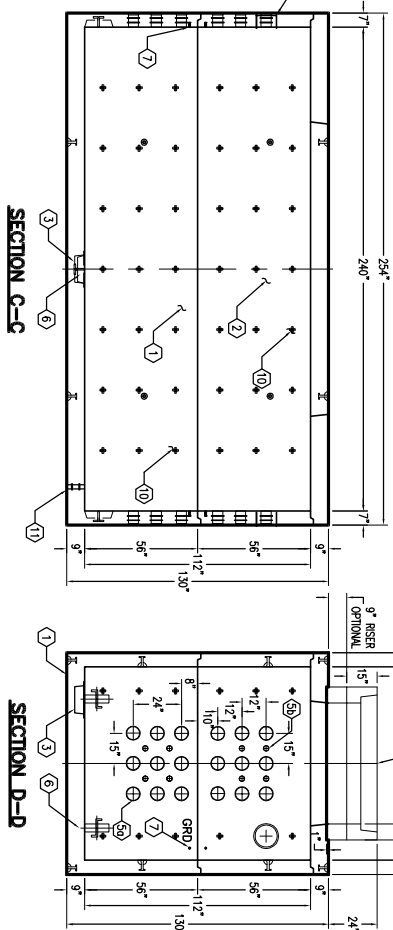
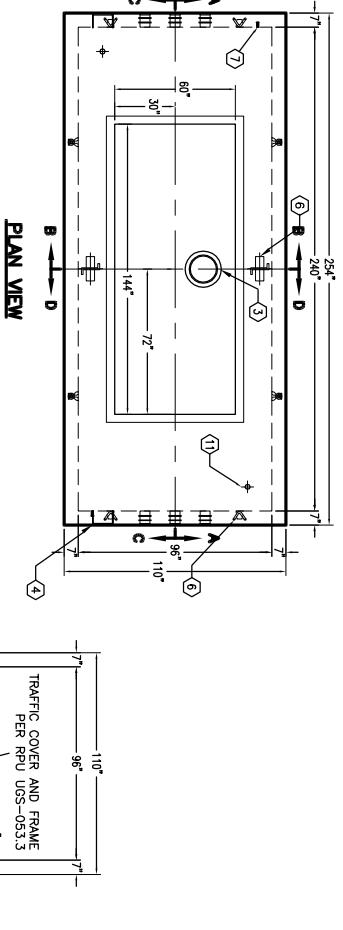
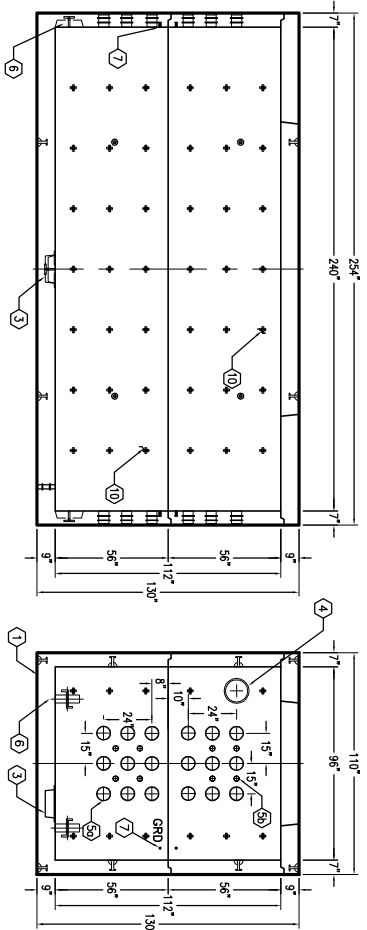
8'-0" x 20'-0" RIVERSIDE TRANSMISSION VAULT x 9'-4" DEEP

NOTES:

- VAULT DESIGNED IN ACCORDANCE WITH AASHTO P-2000 FRAGILE BRIDGE LOADING USING S300 62,000 PSI YIELD STRENGTH ASTM A-706 STEEL REINFORCEMENT PER CALCS. #32347.
 - LIMITS OF COVER OVER ROOF SECTION IS 12" TO 24". DESIGNED FOR LATERAL LOADS BASED ON 8'-0" WATER TABLE AND TWO FOOT HEADRIC SURCHARGE.
 - VAULT TO BE PLACED ON A MIN. 6" BASE OF CRUSHER RUN FOR EASE OF INSTALLATION AND EVEN LOAD DISTRIBUTION.
 - ALL INTERIOR SURFACES SHALL BE PAINTED WITH ONE COAT OF FLAT LATEX WHITE PAINT.
 - STRUCTURES TO BE STENCILED "JENSEN PRECAST", WITH "PROG. NO." AND DATE OF POUR.
- ORDERING INFORMATION:**
 K820PV12-21 FOR ASSEMBLY AS SHOWN.
 APPROVED FOR CITY OF RIVERSIDE SPEC. UGS-540.1.2.
 TOTAL WEIGHT OF ASSEMBLY SHOWN IS 88,900 lbs.



MINIMUM ELEVATION SIZE
 3'-4" x 21'-4" x 10 1/2" HIGH



#	DATE	DESCRIPTION	BY