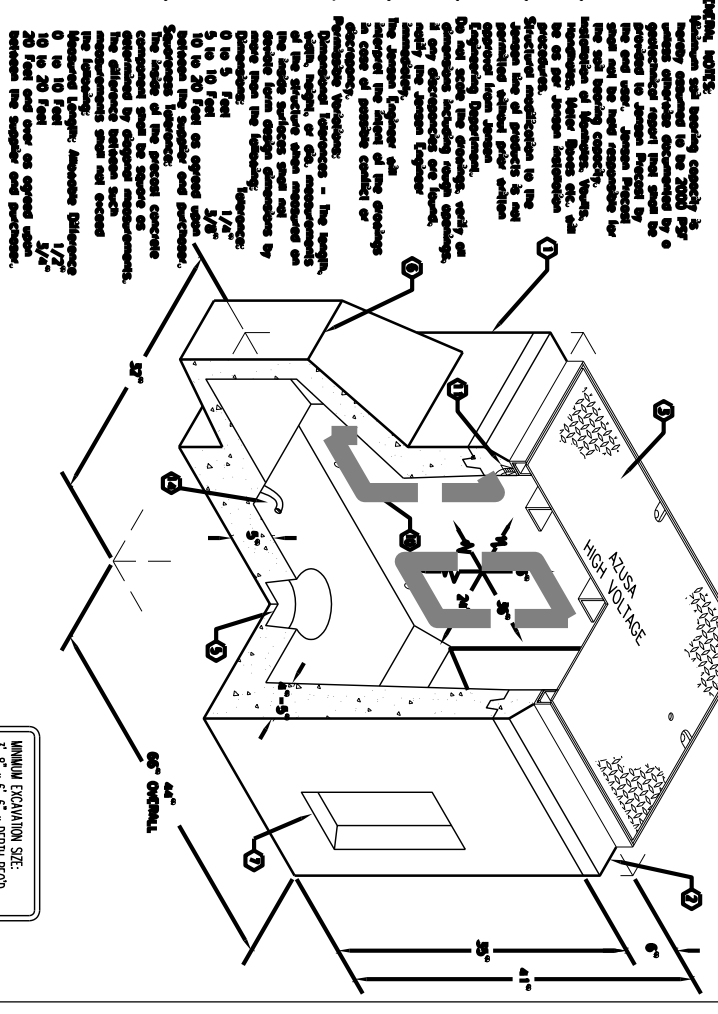


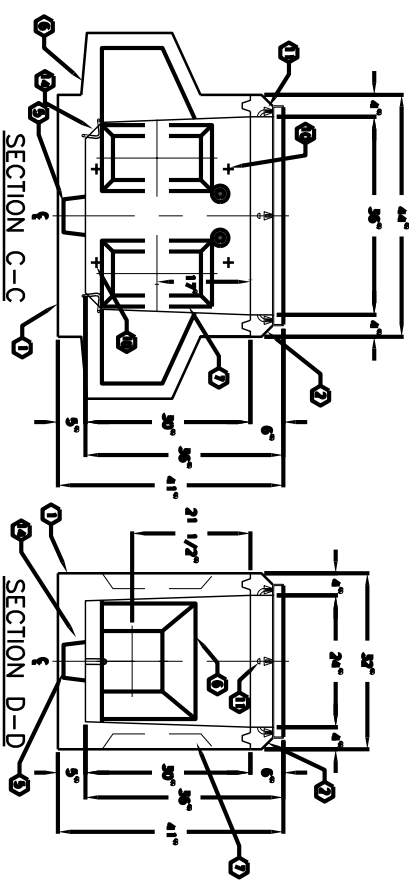
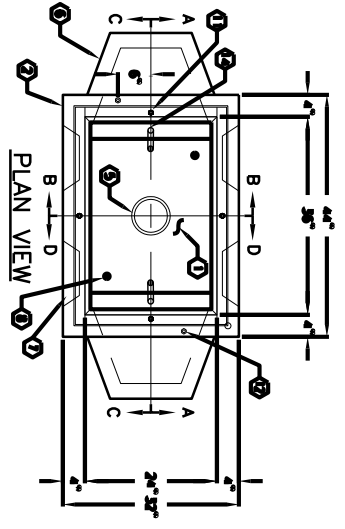
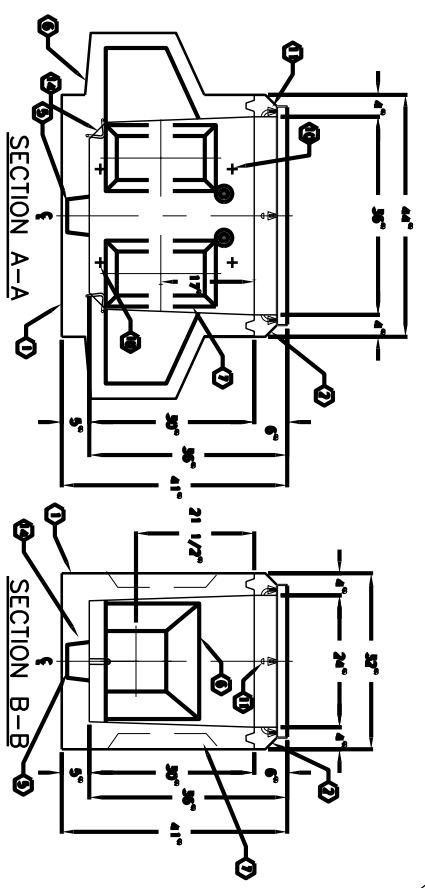
2'-0" x 3'-0" AZUSA TRAFFIC DUCTED PULL BOX x 3'-0" DEEP

- NOTES:**
- 1. PULL BOX DESIGNED IN ACCORDANCE WITH AZUSA 14-20-04 MARIFF MARIFF LONDS USING 3,500 PSI (27,000) COMPRESSIVE STRENGTH CONCRETE AND 60,000 PSI (4,125,000) YIELD STRENGTH A501-A-706 STEEL REINFORCEMENT PER CALC. (2) SHELL.
  - 2. CORES DESIGNED FOR 14-20-04 MARIFF LONDS FOR USE IN ONE-SIDED LOCATIONS PER CALC. (2) SHELL.
  - 3. PULL BOX TO BE PLACED ON A MIN. 6" BENCH OR CHURCH RUN FOR USE OF INSULATION AND FOR LOAD DISTRIBUTION.
- CONCRETE REINFORCEMENT:**
- 1. 14-20-04-211 FOR APPROX. 45 SQUARS, TOTAL WEIGHT OF APPROX. 5,000 LBS.



**JENSEN**  
PRECAST

K2436-DP36-31T  
CITY OF AZUSA DMC ED13 03-01-02



**JENSEN**  
PRECAST

K2436-DP36-31T  
CITY OF AZUSA DMC ED13 03-01-02