

2'-0" x 3'-0" ANAHEIM DUCTED PULL BOX x 3'-0" DEEP

NOTES:

- CONCRETE DESIGNED FOR H-20-44 TRAFFIC BRIDGE LOADING USING 5,500 PSI COMPRESSIVE STRENGTH CONCRETE AND 60,000 PSI YIELD STRENGTH ASTM A-706 STEEL REINFORCEMENT.
- COVER DESIGNED FOR PARKWAY LOADING 300 PSF OR TRAFFIC LOADING H-20.
- PULL BOX TO BE PLACED ON A 6" BASE OF CRUSHER RUN FOR EVEN LOAD DISTRIBUTION AND EASE OF INSTALLATION.

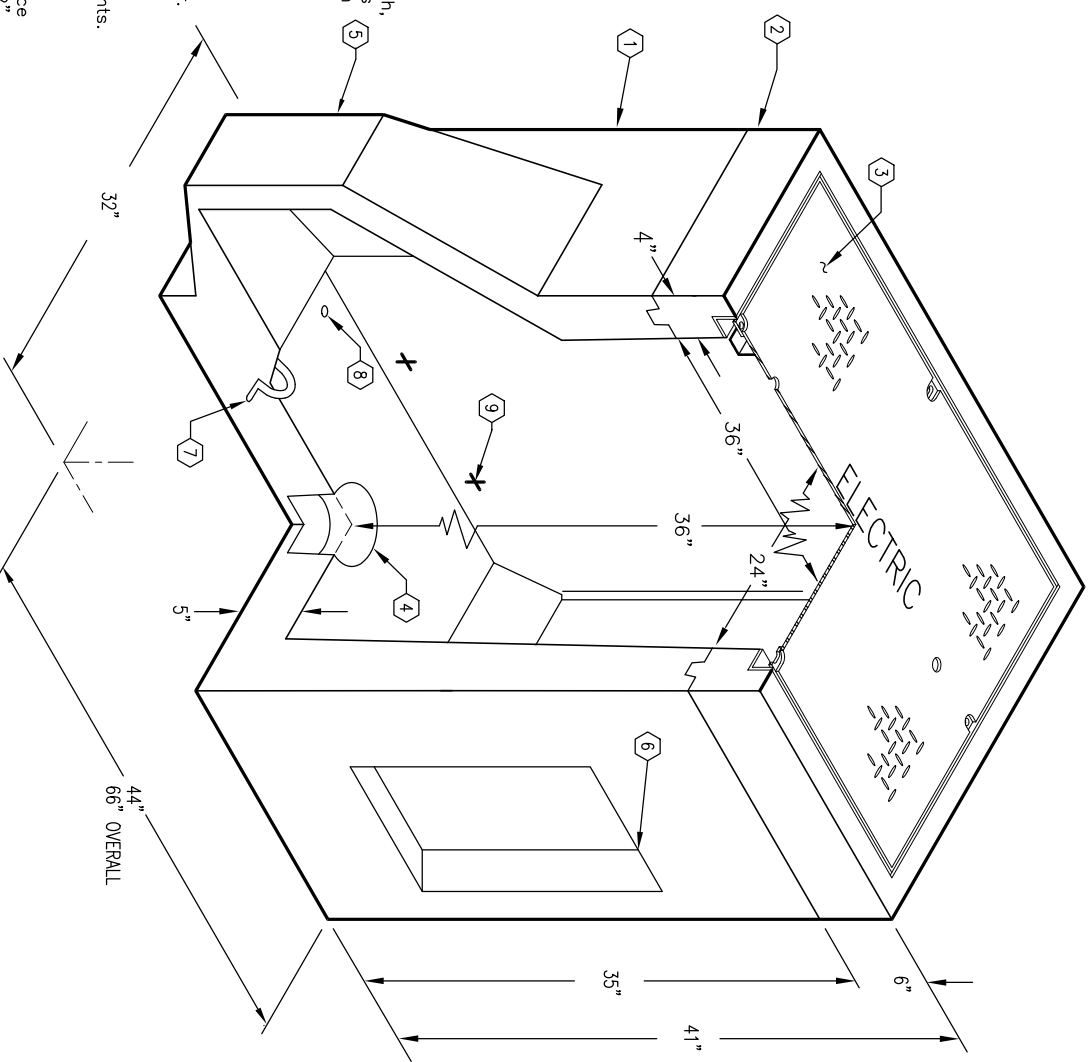
1. PB2436D-B30-05, 30" BOTTOM SECTION, WT. 1,955 lbs.
2. PB2436-16F, 6" TOP SECTION W/(F2436-PB-ANG) GALV. ANGLE FRAME CAST-IN, 254 Lbs.
- 3A. SC2436-PGVE, ONE PIECE PARKWAY COVER GALV., MARKED "ELECTRIC".
- 3B. SC2436-TGVE, ONE PIECE TRAFFIC COVER GALV., MARKED "ELECTRIC".
4. 6" x 7" DIA. SUMP x 4" DEEP, BOTTOM SECTION (1)
5. 11" x 11" DUCTED KNOCKOUT x 13 1/2" DEEP BOTTOM SECTION (2).
6. 8" x 16" KNOCKOUT x 3" DEEP, BOTTOM SECTION (4).
7. 7/8" DIA. x 9" GALVANIZED PULL IRON . BOTTOM SECTION (2).
8. 1" DIA. BLIND GROUND ROD HOLE, BOTTOM SECTION (2).
9. + 1/2" I-5000 PLASTIC INSERT, BOTTOM SECTION (8).
10. + 1/2" P-35-T O.B. INSERT W/CLEAN-OUT HOLE, TOP SECTION (4) FRAME MTD.

■ ORDERING INFORMATION:
 PER CITY OF ANAHEIM SPECS. CU1600-3A
 TOTAL ASSEMBLY WT.: 2,290 Lbs.

**PARKWAY ASSEMBLY WITH STEEL B/D COVER K2436-DP36-16P,
 LIGHT TRAFFIC ASSEMBLY WITH STEEL B/D COVER K2436-DP36-16T.**

GENERAL NOTES:

1. Minimum soil bearing capacity is hereby assumed to be 2000 PSF unless otherwise documented by a geotechnical report that shall be provided to Jensen Precast by the end user. Jensen Precast shall not be held responsible for the soil bearing capacity. Installation of Manholes, Vaults, Handholes, Meter Boxes etc. will be as per Jensen Installation procedures.
3. Structural modification to the Jensen line of products is not permitted without prior written approval from Jensen Engineering Department.
4. Do not scale the drawings, verify all dimensions including rough openings, if any discrepancies are found, notify the Jensen Engineer immediately.
5. The Jensen Engineer will interpret the intent of the drawings in case of possible conflict or discrepancy.
6. Permissible Variations:
 - Dimensional Tolerances – The length, width, height, or dia. measurements of the structure when measured on the inside surfaces shall not deviate from design dimensions by more than the following:
 - Dimensions: Tolerance:
 - 0 to 5 Feet 1/4"
 - 5 to 10 Feet 3/8"
 - 10 to 20 Feet as agreed upon between the supplier and purchaser.
 - Squareness Tolerance:
 - The inside of the precast concrete component shall be square as determined by diagonal measurements. The difference between such measurements shall not exceed the following:
 - Measured Length: Allowable Difference
 - 0 to 10 Feet 1/2"
 - 10 to 20 Feet 3/4"
7. Squaredness Tolerance:
 - The inside of the precast concrete component shall be square as determined by diagonal measurements. The difference between such measurements shall not exceed the following:
 - Measured Length: Allowable Difference
 - 0 to 10 Feet 1/2"
 - 10 to 20 Feet 3/4"



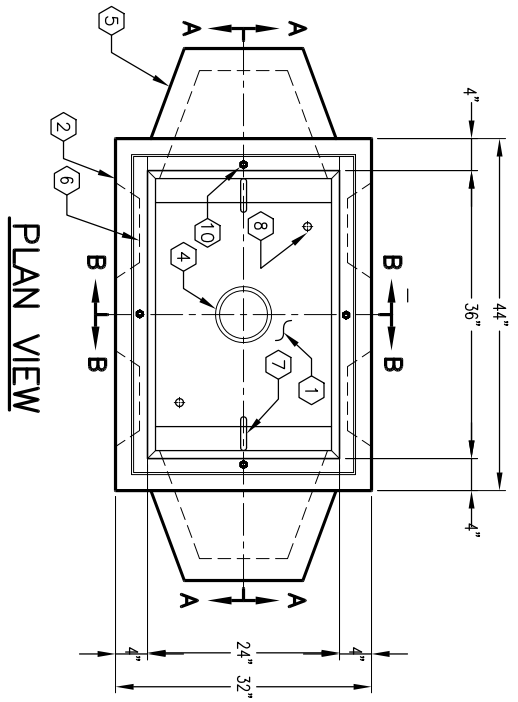
MINIMUM EXCAVATION SIZE:
 3'-8" x 6'-6" x DEPTH REQD.

K2436-DP36-16

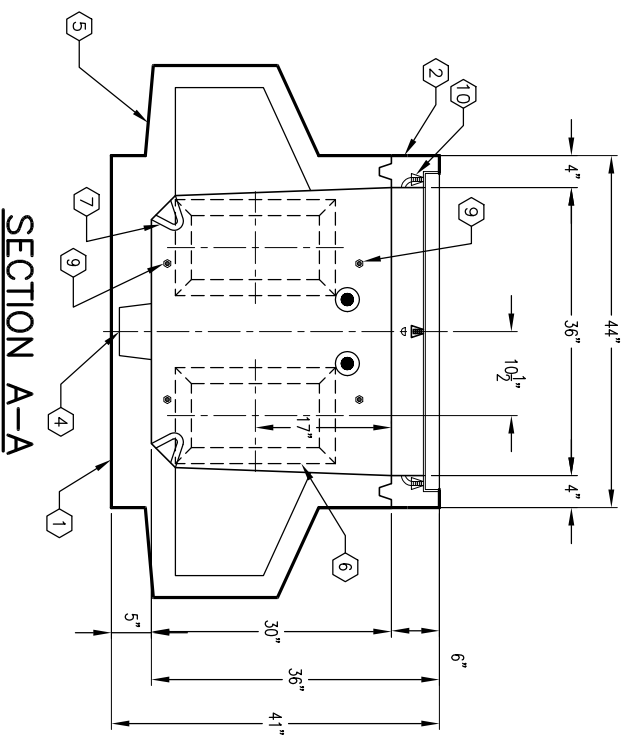
PER ANAHEIM SPECS. 1600-3A



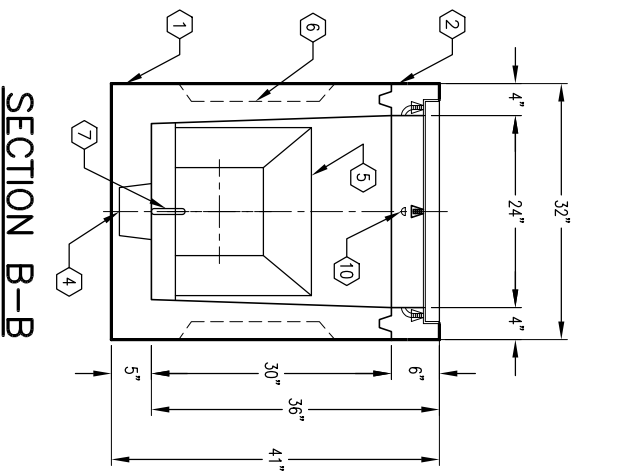
AUTOCAD REL. 14



PLAN VIEW



SECTION A-A



SECTION B-B

| # | DATE | DESCRIPTION | BY |
|---|------|-------------|----|
| | | | |

K2436-DP36-16

PER ANAHEIM SPECS. 1600-3A



03-01-02