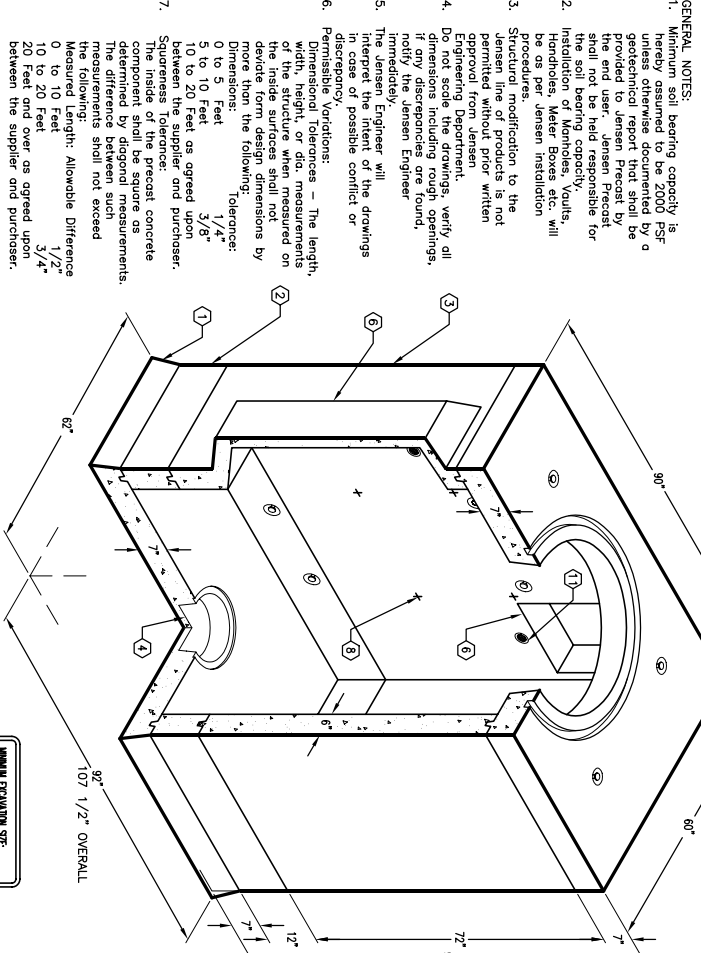


# 4'-0" x 6'-6" EDISON DUCTED MANHOLE x 7'-0" DEEP

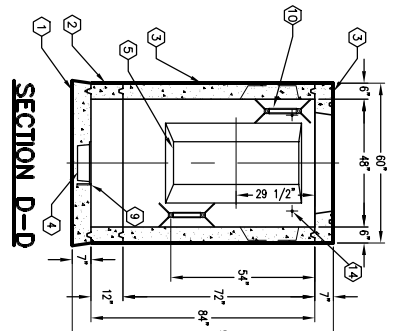
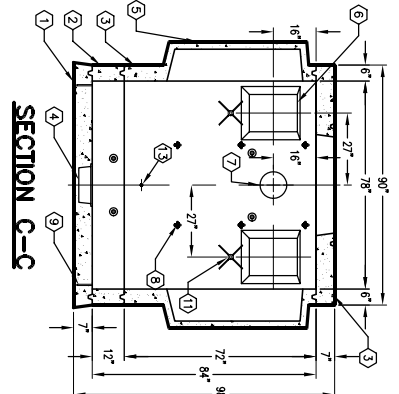
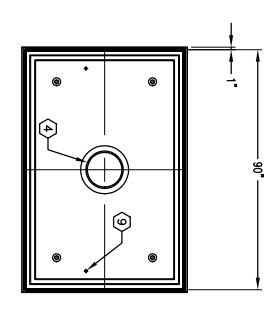
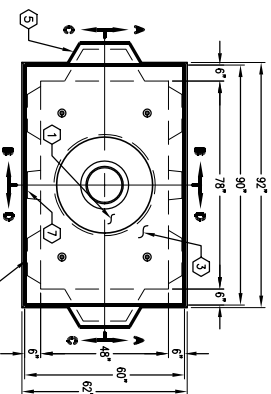
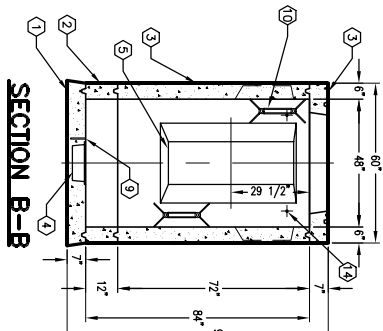
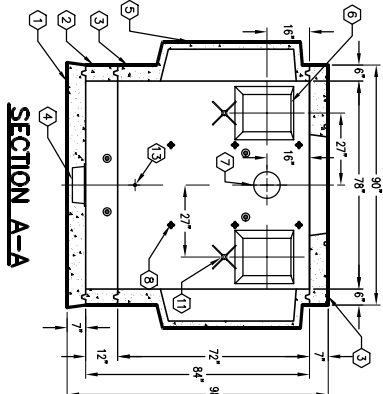
- NOTES:**
- MANHOLE DESIGNED IN ACCORDANCE WITH ASTM H-2000, TRAFFIC BRIDGE LOADINGS, 5,500 PSI [37,920 KPa] COMPRESSIVE STRENGTH CONCRETE AND 60,000 PSI [4,132 MPa] YIELD STRENGTH ASTM A-706 STEEL REINFORCEMENT PER CALCS. #30387
  - MANHOLE TO BE PLACED ON A MIN. 6" BASE OF CRUSHER RUN FOR EASE OF INSTALLATION AND EVEN LOAD DISTRIBUTION.
  - LIMIT OF COVER OVER TOP SLAB IS 1'-6" TO 4'-0"
  - THE FOLLOWING MATERIAL TO BE SHIPPED WITH MANHOLE:
    - 7/8" x 1 3/4" CONSEAL GASKET (90 FT. REQ'D.)
    - 1/2" DIA. x 6" GALV. 'J' BOLTS.

- ORDERING INFORMATION:**
- K466-DM84-11 FOR ASSEMBLY AS SHOWN.  
 APPROVED FOR EDISON SPEC. UGS 300 M-3.  
 TOTAL WEIGHT OF ASSEMBLY SHOWN IS 14,640 Lbs.
- UV466-B-05, 7" THICK BASE SLAB, WT. 3,300 lbs.
  - PB466-R12, 12" EXTENSION SECTION, WT. 1,725 lbs.
  - UV466-R12-05, 72" INTERMEDIATE SECTION, WT. 9,800 lbs.
  - UV466-T-05, 7" TOP SLAB, WT. 3,000 lbs.
  - LOCATE AS FOLLOWS: X SE. DEAB W/1" RECESS MTD.
  - 16" x 4 7/8" DUCTED K.O. x 12" DEEP, DRAFT AS FOLLOWS: 1"-1" S152B-3. LOCATE AS FOLLOWS: INTERMEDIATE SECTION (2) CORE MTD.
  - 14" x 18" K.O. x 5" DEEP, DRAFT AS FOLLOWS: INTERMEDIATE SECTION (4) CORE MTD.
  - 14" x 18" S152B-3. LOCATE AS FOLLOWS: INTERMEDIATE SECTION (2) CORE MTD.
  - 1/2" PLASTIC INSERT. LOCATE AS FOLLOWS: INTERMEDIATE SECTION (1) CORE MTD.
  - 1/2" DIA. GROUND ROD KNOCKOUT x 5 1/2" LONG. LOCATE AS FOLLOWS: INTERMEDIATE SECTION (2) CORE MTD.
  - 3/8" DIA. (2) DOUBLE END THIRD INSERT. LOCATE AS FOLLOWS: INTERMEDIATE SECTION (4) CORE MTD.
  - 1" GALV. COIL THRD. INSERT. LOCATE AS FOLLOWS: INTERMEDIATE SECTION (4) CORE MTD.
  - 1/2" BRONZE GROUND INSERT WELD TO REBAR. LOCATE AS FOLLOWS: INTERMEDIATE SECTION (2) CORE MTD.
  - 1/2" STEEL LOOP INSERT FOR 'J' BOLTS. LOCATE AS FOLLOWS: (4) INTER. SECT.



**JENSEN PRECAST**  
 AUTOCAD REL. 14

**K466-DM84-11**  
 PER EDISON SPEC. UGS 300 M-3  
 03-01-02



**JENSEN PRECAST**

DATE	DESCRIPTION	BY

**K466-DM84-11**  
 PER EDISON SPEC. UGS 300 M-3  
 03-01-02