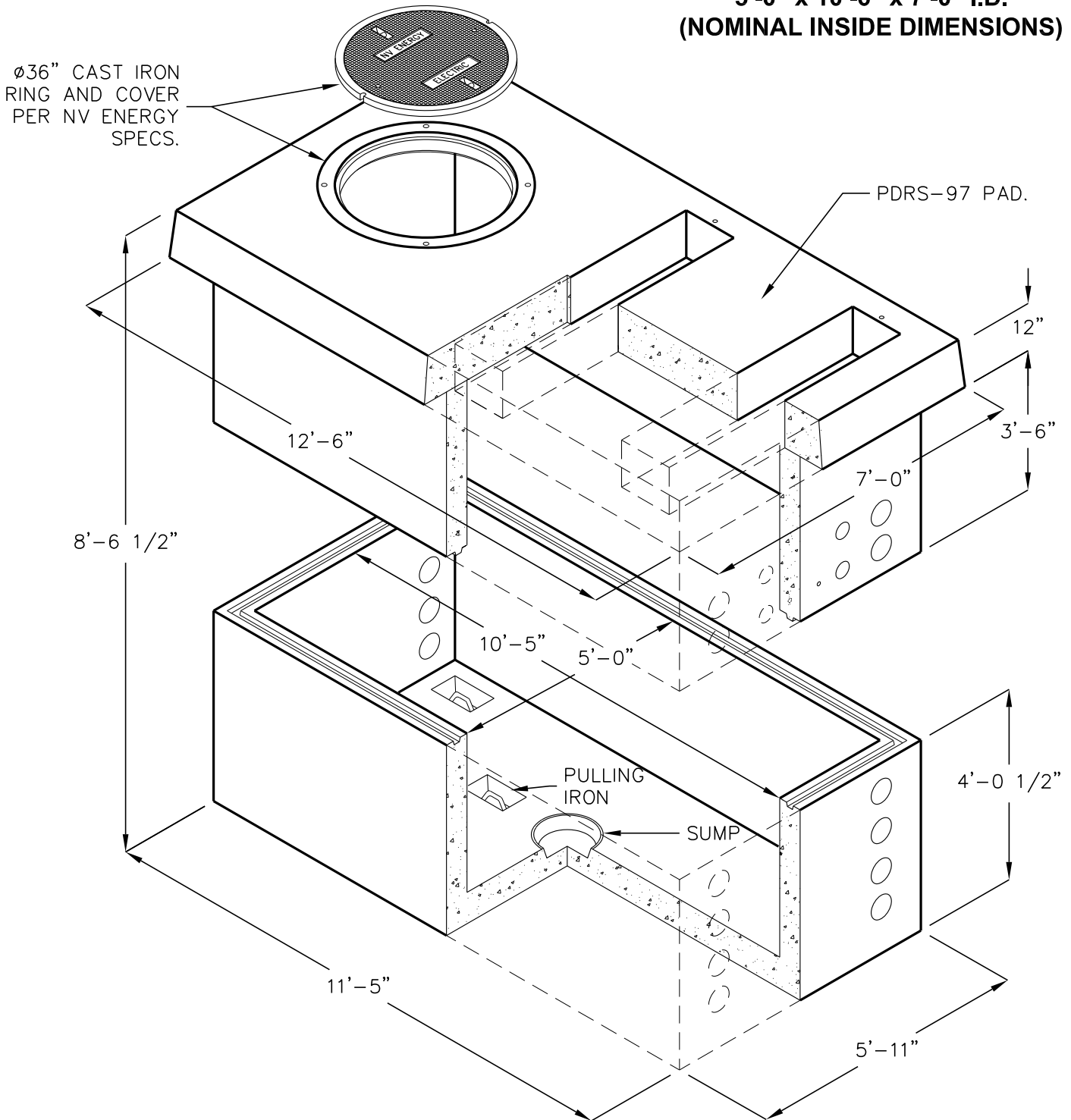


# RS-97 SWITCH & FUSE CABINET MANHOLE

5'-0" x 10'-6" x 7'-0" I.D.  
(NOMINAL INSIDE DIMENSIONS)



FOR COMPLETE DESIGN  
AND PRODUCT INFORMATION  
CONTACT JENSEN PRECAST.

|                 |        |        |       |         |         |         |         |          |          |         |
|-----------------|--------|--------|-------|---------|---------|---------|---------|----------|----------|---------|
| NV ENERGY SPEC. | RS-97  | RS-98  | RS-99 | RS-100* | RS-101* | RS-110  | RS-111  | RS-112** | RS-113** | RS-116  |
| MODEL NUMBER    | JRS-97 | JRS-98 | RS-99 | JRS-100 | JRS-101 | JRS-110 | JRS-111 | JRS-112  | JRS-113  | JRS-116 |

\*REQUIRES RS-46 TRANSFORMER PAD  
\*\*REQUIRES RS-58 TRANSFORMER PAD

**B** Jensen Precast reserves the right to make changes to product design and/or dimensions without notice.  
Please contact Jensen Precast whenever necessary for confirmation or advice on product design.