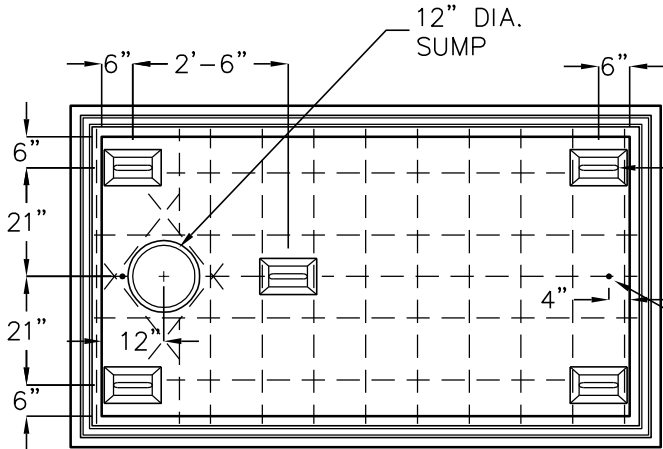


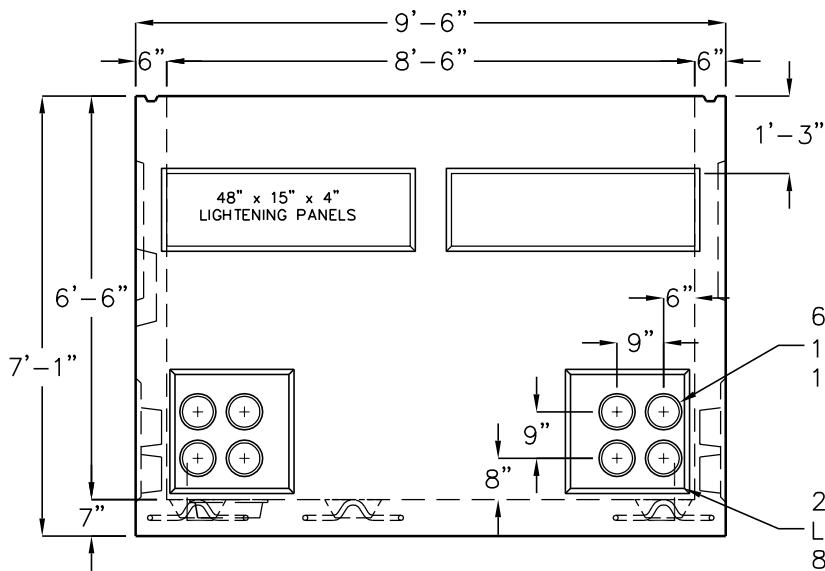
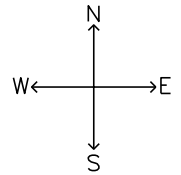
# CITY OF REDDING

## 4686 VAULT

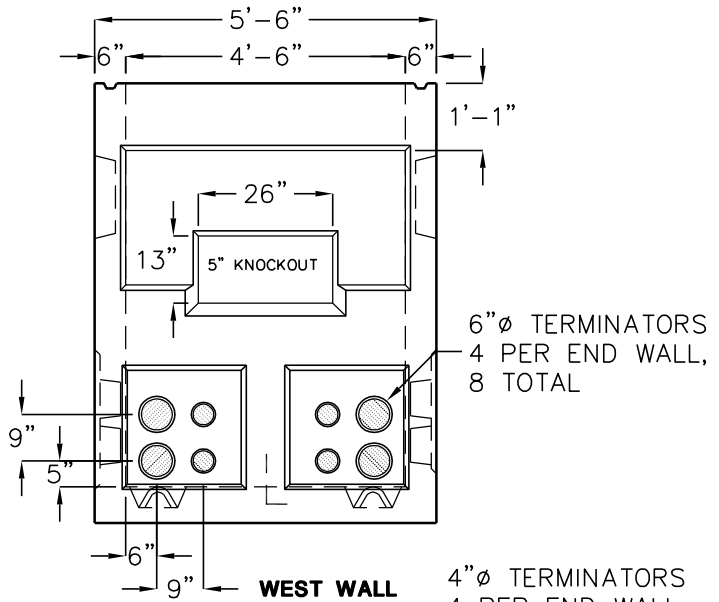
4'-6" x 8'-6" x 6'-6"  
(INSIDE DIMENSIONS)



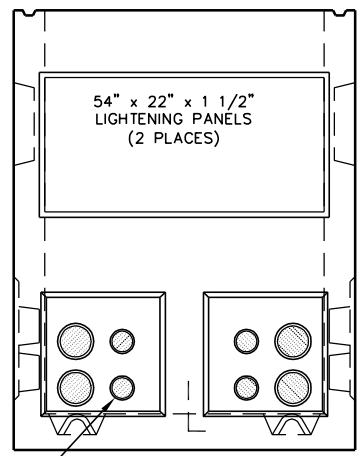
**TOP VIEW**



**NORTH OR SOUTH WALL, TYP.**



**WEST WALL**



**EAST WALL**